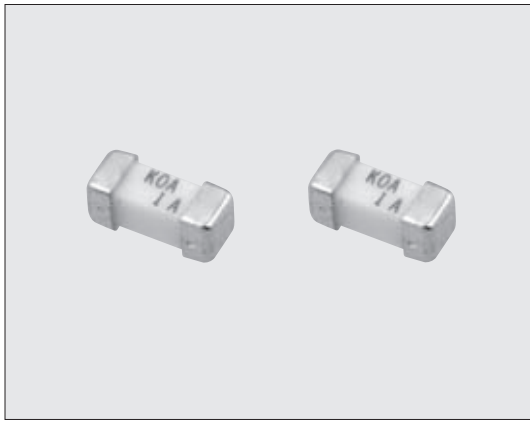


CCF1F 片式电流保险丝 Chip Current Fuses



外观颜色：白色 Coating color: White

特点 Features

- 依据 IEC60127-4。(7A以下)
- 采用陶瓷本体，机械强度优异。
- 对应回流焊和波峰焊。
- 符合欧盟RoHS。
- Meets IEC60127-4 specifications. (7A or less)
- Stable fusing characteristics due to the original technology.
- Suitable for reflow and flow soldering.
- Products meet EU – RoHS requirements.

取得规格 Approvals Awarded

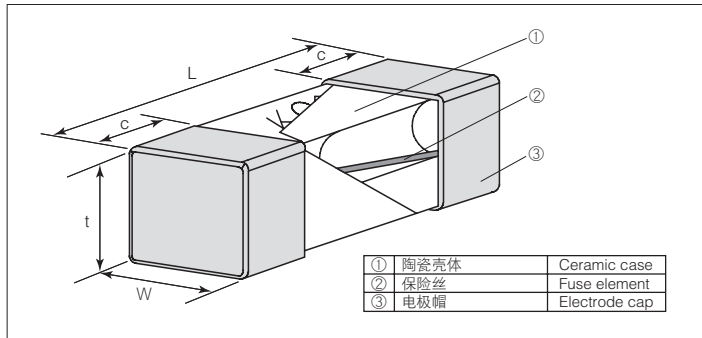
UL248.14 File No.E171861

c-UL(CSA)C22.2 No.248.14 File No.E171861

参考标准 Approvals Awarded

IEC60127-4 Universal modular fuse-Links Standard sheet2

结构图 Construction



外形尺寸 Dimensions

型号 Type (Inch Size Code)	尺寸 Dimensions (mm)				Weight (g) (1000pcs)
	L±0.2	W±0.2	t±0.2	c±0.2	
CCF1F (2410)	6.1	2.5	2.5	1.4	110

品名构成 Type Designation

实例 Example	CCF	1	F	5	T	TE
品种 Product Code	品种 Product Code	形状 style	熔断特性 Fusing Characteristics	额定电流 Rated Current	端子表面材质 Terminal Surface Material	二次加工 Taping
			F: 速断型 F: Fast-Acting		T: Sn	TE: 4mm pitch plastic embossed BK: Bulk

欲知关于此产品含有的环境负荷物质详情(除EU-RoHS以外)，请与我们联系。
编带细节请参考卷末附录C。

Contact us when you have control request for environmental hazardous material other than the substance specified by EU-RoHS.

For further information on taping, please refer to APPENDIX C on the back pages.

用途 Applications

- 液晶Inverter电源 Power supplies for LCD inverters
- 照明用Inverter电源 Power supplies for Illumination inverters
- 复印机, LBP Copying machines, Laser beam printers
- 工业用机器 Industrial equipment

额定值 Ratings

型号 Type	额定电流 Rated Current	额定电压 Rated Voltage	断路容量 Interrupting Capacity	熔断特性 Fusing Characteristics		内部电阻值 Internal R. (mΩ) Max.	公称熔断值 Nominal Melting I ² t (A ² •s)	编带和包装数/卷 Taping & Q'ty/Reel (pcs) TE
				额定电流 Rated Current	熔断时间 Fusing Time			
开发中 CCF1F0.4	0.4A	UL(c-UL) AC125V DC125V	UL(c-UL) AC125V 50A DC125V 50A	UL(c-UL) 100% 200%	4h Min. 60s Max.	650	0.024	1,000
开发中 CCF1F0.5	0.5A					510	0.030	
开发中 CCF1F0.63	0.63A					390	0.052	
开发中 CCF1F0.8	0.8A					250	0.125	
开发中 CCF1F1	1A					90.4	0.156	
开发中 CCF1F1.25	1.25A					75.9	0.220	
开发中 CCF1F1.6	1.6A					59.3	0.513	
开发中 CCF1F2	2A					42.9	0.814	
开发中 CCF1F2.5	2.5A					36.6	1.31	
开发中 CCF1F3.15	3.15A					26.0	2.37	
开发中 CCF1F4	4A					20.1	3.85	
开发中 CCF1F5	5A					15.3	6.5	
开发中 CCF1F6.3	6.3A					11.4	10.6	
开发中 CCF1F7	7A					10.6	12.8	
开发中 CCF1F8	8A					9.5	17.0	
开发中 CCF1F10	10A	7.5	27.7					
CCF1F12	12A	UL(c-UL) AC65V DC65V	UL(c-UL) AC65V 50A DC65V 50A			4.5	73.5	
CCF1F15	15A					3.5	125.5	

使用温度范围 Operating Temp. Range: -55℃~+125℃

开发中 = Under development

■ 降低额定值 Derating

● 稳恒电流 Stationary current

稳恒电流在重复脉冲时，稳恒电流波形的峰值是恒稳电流值。

Regard the peak of stationary current waveform as stationary current value when the stationary current is repeated pulse.

● 通常降低额定值 Normal derating

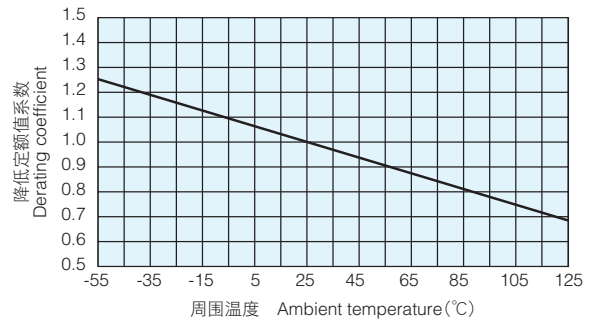
本产品的通常降低额定值为标准应在0.7以下。

Normal derating of this product should be 0.7max. as standards.

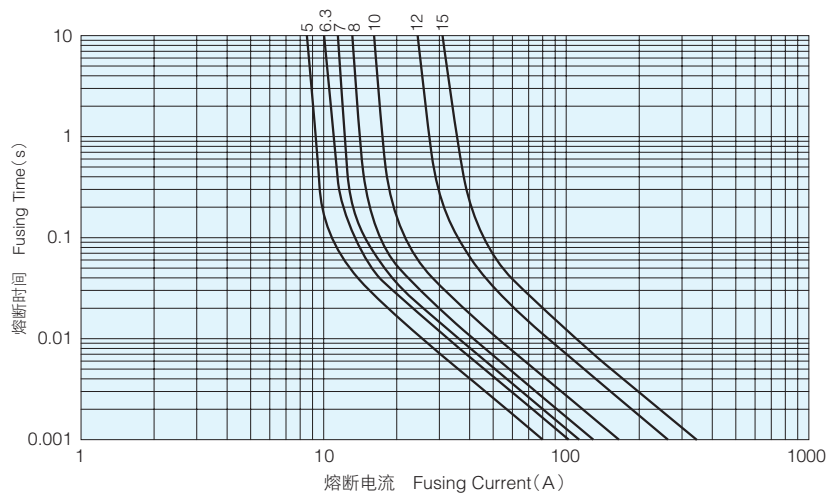
● 温度降低额定值 Deratings by ambient temperatures

如果在常温(25°C ± 5°C)以外的环境温度条件下使用本产品，必须进行温度修正，请参考右图的降低额定值系数。

When using the products at the temperatures other than normal temperature (25°C ± 5°C), temperature adjustment will be required. Please refer to the derating coefficient as shown in the figure.



■ 熔断特性 Fusing Characteristics



■ 性能 Performance

试验项目 Test Items	标准值 Performance Requirements		试验方法 Test Methods
	保证值 Limit	代表值 Typical	
熔断特性 Fusing Characteristics	规定时间内熔断后的绝缘电阻在0.1MΩ以上。 Within specified time. Insulation resistance shall not be less than 0.1MΩ.	—	以额定电流的200%的电流通电，测量到熔断为止的时间 Fusing time measured under rated current × 200%
表面温度上升 Surface Temp. Rise	温度上升75°C以下、不熔断（全部额定）。 Max. Temp. Rise 75°C and not Fusing (All the rating).	—	以额定电流的100%的电流通电1小时后的箱体表面温度 Surface temp. should be measured by rated current × 100% 1hour
电极强度 Bending Test	可熔断体不断线且箱体不损坏 No mechanical damage	—	支点间隔90mm，弯曲度3mm，速度1mm/1s Distance between holding points 90mm, bent by 3mm at arte of 1mm/s
耐焊接热 Resistance to soldering heat	ΔR ± 10%	±3%	260°C ± 5°C, 10s ± 0.5s
可焊性 Solderability	应有95%以上的新焊锡覆盖。 95% coverage min.	—	235°C ± 5°C, 3s ± 0.5s
通电寿命 Load life	ΔR ± 10%	±2%	70°C ± 2°C, 1000hr、额定电流 × 70%、1.5小时ON、0.5小时OFF的周期 Rated current × 70%, 1.5h ON/0.5h OFF cycles
耐湿通电寿命 Load life moisture	ΔR ± 10%	±3%	40°C ± 2°C、90%~95%RH、1000hr、额定电流 × 70%、1.5小时ON、0.5小时OFF的周期 Rated current × 70%, 1.5h ON/0.5h OFF cycles"
温度突变 Rapid change of temperature	ΔR ± 10%	±2%	-55°C(30min.) / +125°C(30min.) 100cycles

■ 使用注意事项 Precautions for Use

- 选定保险丝时，请与本目录内的「保险丝的使用注意事项」一起确认。
- When you select fuse product, please make sure to confirm "Precautions for Use of Fusing Components" in this catalogue and ask KOA sales.