

Features

- Large capacitance series.
- Two lead style (bare wire or Insulated lead).

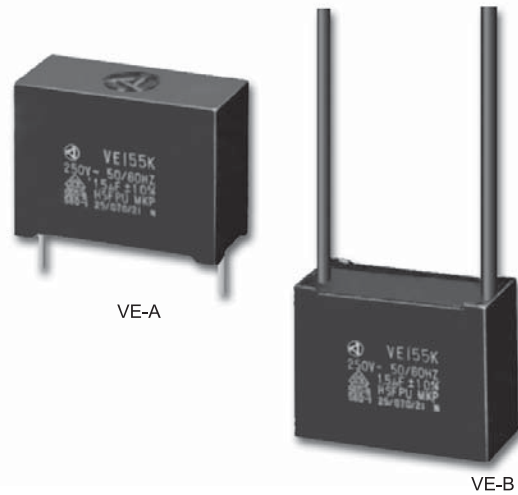
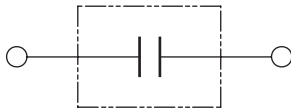


Safety Agency : Standard	File No.
VDE : EN60252, VDE0560 Teil 8	126777

Applications

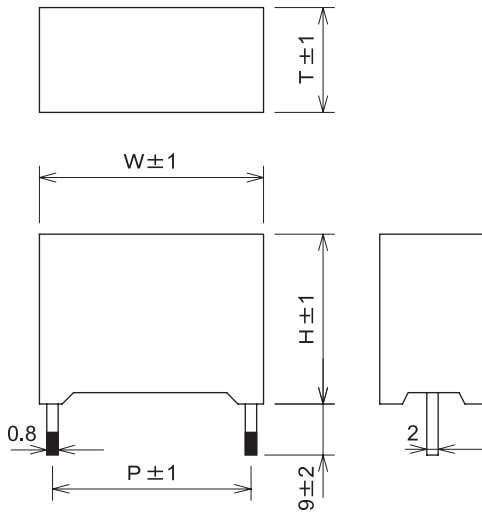
- Suppressing noise occurring in electric appliances and motors in Germany.

Circuit

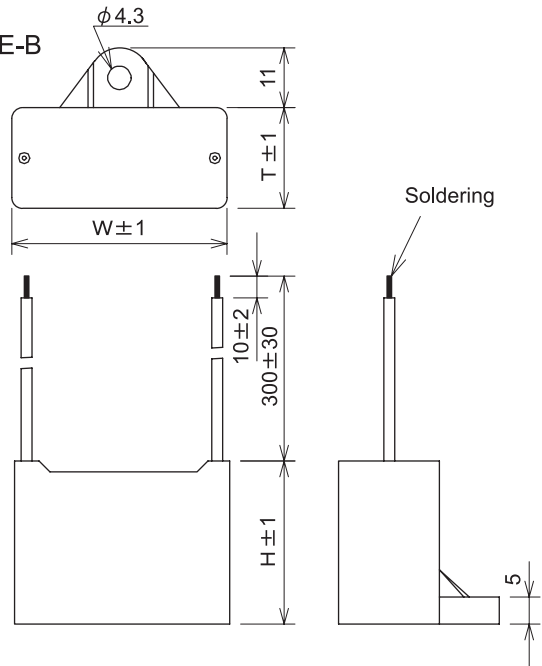


Dimensions

- VE-A



- VE-B



Unit: mm

Electrical Specifications

Rated Voltage **250VAC**

Safety Agency	Model Number	Capacitance $\mu\text{F} \pm 10\%$	Dimensions				Dissipation Factor	Test Voltage	Insulation Resistance
			W	H	T	P			
	VE155-A/B	1.5	39.5	30.0	18.5	35.0	0.001max. (at 1kHz)	Line to Line 1075Vdc 60sec Line to Ground 2000Vrms 50/60Hz 60sec	Line to Line 5000Ω · Fmin Line to Ground 30000MΩ min (at 500Vdc)
	VE225-A/B	2.2	39.5	30.0	18.5	35.0			
	VE335-A/B	3.3	49.5	33.0	20.5	45.0			
	VE475-A/B	4.7	59.5	35.5	21.5	55.0			
	VE685-A/B	6.8	59.5	43.5/42.5	30.5	55.0			
	VE106-A/B	10.0	59.5	43.5/42.5	30.5	55.0			

Operating Temperature: -40~+85°C