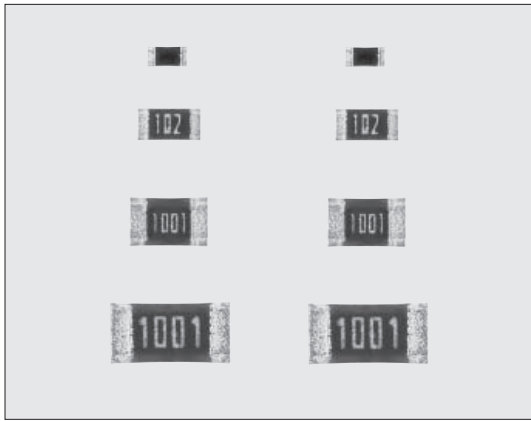


RK73G-RT 矩形片式电阻器 (超精密级、抗硫化型) Flat Chip Resistors (Ultra Precision Grade, Anti Sulfuration)



外观颜色: 黑色 (1E)、深蓝色 (1J, 2A, 2B)
Coating color: Black (1E), Dark blue (1J, 2A, 2B)

特点 Features

- 由于内部上面电极使用高性能耐硫化材料, 因此内部上面电极不会产生硫化断线。
- 是表面贴装型的金属厚膜电阻器。
- 是阻值允许偏差±0.5%、电阻温度系数±50×10⁻⁶/K的高精度产品。
- 对应回流焊、波峰焊。
- 端子无铅品, 符合欧盟RoHS。电极、电阻膜层、玻璃中所含的铅玻璃不适用欧盟RoHS指令。
- AEC-Q200相关数据已取得。
- Excellent anti-sulfuration characteristic due to using high sulfuration-proof inner top electrode material.
- Metal-glaze thick film resistor for surface mounting.
- High precision resistor with T.C.R. ±50×10⁻⁶/K and tolerance ±0.5%.
- Suitable for both flow and reflow solderings.
- Products with lead free termination meet EU-RoHS requirements. EU-RoHS regulation is not intended for Pb-glass contained in electrode, resistor element and glass.
- AEC-Q200 Qualified.

用途 Applications

- 汽车电子技术、电源、工业机器。
- 用于替换金属膜片状电阻器。
- Car electronics, power supply, industrial robot.
- Replacement of metal film chip resistors.

参考标准 Reference Standards

IEC 60115-8
JIS C 5201-8
EIAJ RC-2134C

额定值 Ratings

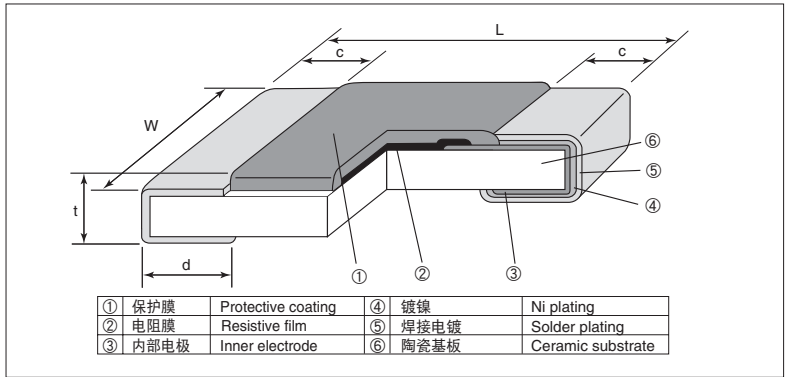
型号 Type	额定功率 Power Rating	电阻温度系数 T.C.R. (×10 ⁻⁶ /K)	电阻值范围 Resistance Range (Ω)		最高使用电压 Max. Working Voltage	最高过载电压 Max. Overload Voltage	二次加工和包装数量/卷 Packaging & Q'ty /Reel (pcs)		
			D: ±0.5% E24 • E96	F: ±1% E24 • E96			TPL • TP	TD	TE
1E	0.063W	±50	30~1M	30~1M	50V	100V	TPL: 20,000 TP: 10,000	—	—
1J	0.1W				75V	150V	TP: 10,000	5,000	—
2A	0.125W				150V	200V	—	5,000	4,000
2B	0.25W				200V	400V	—	5,000	4,000

额定环境温度 Rated Ambient Temperature : +70℃
使用温度范围 Operating Temperature Range : -55℃~+155℃

额定电压是√额定功率×公称电阻值所算出的值或表中最高使用电压两者中小的值为额定电压。

Rated voltage = √Power Rating × Resistance value or Max. working voltage, whichever is lower.

结构图 Construction



外形尺寸 Dimensions

型号 Type (Inch Size Code)	尺寸 Dimensions (mm)					Weight (g) (1000pcs)
	L	W	c	d	t	
1E (0402)	1.0 ^{+0.1} _{-0.05}	0.5±0.05	0.2±0.1	0.25 ^{+0.05} _{-0.1}	0.35±0.05	0.68
1J (0603)	1.6±0.2	0.8±0.1	0.3±0.1	0.3±0.1	0.45±0.1	2.14
2A (0805)	2.0±0.2	1.25±0.1	0.4±0.2	0.3 ^{+0.2} _{-0.1}	0.5±0.1	4.54
2B (1206)	3.2±0.2	1.6±0.2	0.5±0.3	0.4 ^{+0.2} _{-0.1}	0.6±0.1	9.14

品名构成 Type Designation

实例 Example

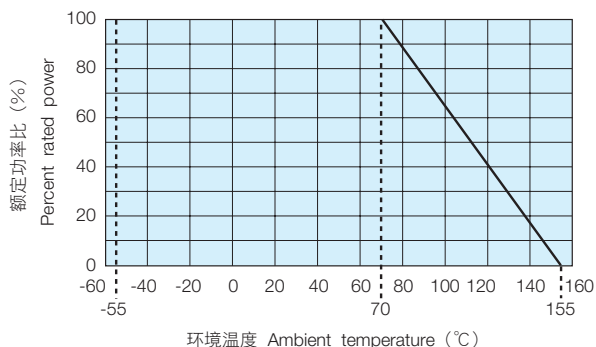
品种 Product Code	额定功率 Power Rating	端子表面材质 Terminal Surface Material	二次加工 Taping	公称电阻值 Nominal Resistance	阻值允许偏差 Resistance Tolerance
RK73G	2A	RT	TD	1002	D
	1E: 0.063W 1J: 0.1W 2A: 0.125W 2B: 0.25W	RT: Sn	TPL: TP: 2mm pitch punch paper TD: 4mm pitch punch paper TE: 4mm pitch plastic embossed BK: Bulk	4 digits	D: ±0.5% F: ±1%

欲知关于此产品含有的环境负荷物质详情 (除EU-RoHS以外), 请与我们联系。
编带细节参照卷末附录C。

Contact us when you have control request for environmental hazardous material other than the substance specified by EU-RoHS.

For further information on taping, please refer to APPENDIX C on the back pages.

■ 负荷减轻特性曲线 Derating Curve



在环境温度70℃以上使用时，应按照上图负荷减轻特性曲线，减小额定功率。
For resistors operated at an ambient temperature of 70℃ or above, a power rating shall be derated in accordance with the above derating curve.

■ 性能 Performance

试验项目 Test Items	标准值 Performance Requirements $\Delta R \pm (\% + 0.05\Omega)$		试验方法 Test Methods
	保证值 Limit	代表值 Typical	
电阻值 Resistance	在规定的允许偏差内 Within specified tolerance	—	25℃
电阻温度系数 T.C.R.	在规定值以内 Within specified T.C.R.	—	+25℃/-55℃ and +25℃/+125℃
过载(短时间) Overload (Short time)	2	0.6	把额定电压×2.5倍施加5秒钟(仅2B额定电压×2倍) Rated voltage×2.5 for 5s (2B: Rated voltage×2 for 5s)
耐焊接热 Resistance to soldering heat	1	0.4	260℃±5℃, 10s±1s
温度突变 Rapid change of temperature	0.5	0.3	-55℃(30min.)/+125℃(30min.)100 cycles
耐湿负荷 Moisture resistance	3: 1E 2: 1J, 2A, 2B	1: 1E 0.6: 1J, 2A, 2B	40℃±2℃, 90%~95%RH, 1000h 1.5小时ON、0.5小时OFF的周期 1.5h ON/0.5h OFF cycle
在70℃时的耐久性 Endurance at 70℃	3: 1E 2: 1J, 2A, 2B	1: 1E 0.6: 1J, 2A, 2B	70℃±2℃, 1000h 1.5小时ON、0.5小时OFF的周期 1.5h ON/0.5h OFF cycle
高温放置 High temperature exposure	1	0.6	+155℃, 1000h
硫化试验 Sulfuration test	5	—	用含硫3.5%的工业油浸渍105℃±3℃ 500h Soaked in industrial oil with sulfur substance 3.5% contained 105℃ ±3℃ 500h