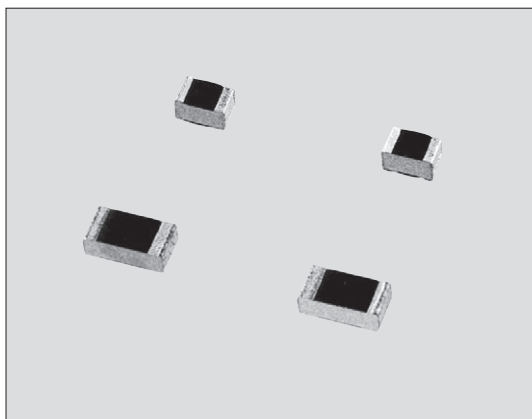


PTC THERMISTORS

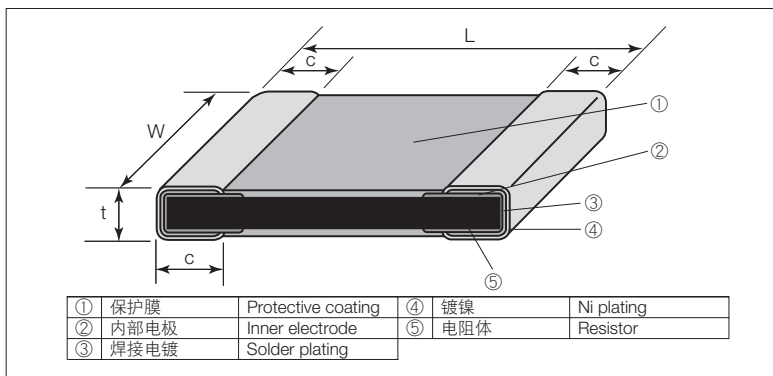


温度传感器
Thermal Sensors

PT72 矩形片式PTC热敏电阻器 (温度检测用) PTC Chip Thermistors



■ 结构图 Construction



外观颜色: 参照额定值表

Coating color: Please refer to the rating table below.

■ 特点 Features

- 是表面封装型的PTC热敏电阻器。
- 小型·轻量, 安装面积就小。
- 由于是表面封装型, 热应答性良好。
- 居里温度可选择70℃、80℃、100℃。
- 对应回流焊接。
- 端子无铅品, 符合欧盟RoHS。
- Surface mount PTC thermistors.
- Small type and light weight to reduce mounting space.
- Excellent thermal response because of surface mount type.
- Curie temperatures : 70℃, 80℃, 100℃ are selectable.
- Suitable for reflow soldering.
- Products with lead free termination meet EU-RoHS requirements.

■ 用途 Applications

- 功率晶体管、功率IC的加热保护。
- 液晶背景光的反相电路。
- 空调。
- 汽车声频。
- Overheat protection for power transistors and power-ICs.
- Inverter circuits for LCD back lights.
- Air conditioners.
- Car audios.

■ 额定值 Ratings

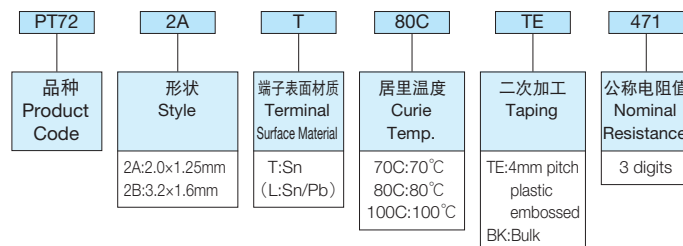
型号 Type	居里温度 Curie Temp.	外观颜色 Coating Color	公称电阻值 Nominal Resistance (Ω)	阻值允许偏差 Resistance Tolerance	R25的7倍的温度 Temp. at R25×7	最高使用电压 Max. Working Voltage	使用温度范围 Operating Temp. Range	编带和包装数/卷 Taping & Q'ty/Reel (pcs)
								TE
2A	70℃	黑色 Black	470	±50%	85℃±10℃	16V	-55℃~+125℃	3,000
	80℃	茶色 Brown			95℃±10℃			
	100℃	蓝色 Blue			115℃±10℃			
2B	70℃	黑色 Black	120,470,1k		85℃±10℃			
	80℃	茶色 Brown	50,470,1k		95℃±10℃			
	100℃	蓝色 Blue	470,1k		115℃±10℃			

■ 外形尺寸 Dimensions

型号 Type (Inch Size Code)	尺寸 Dimensions (mm)				Weight (g) (1000pcs)
	L ±0.2	W ±0.2	t ±0.2	c	
2A (0805)	2.0	1.25	1.0	0.4±0.2	14.5
2B (1206)	3.2	1.6	1.0	0.5±0.3	29.5

■ 品名构成 Type Designation

实例 Example



端子表面材质, 以无铅品为准。

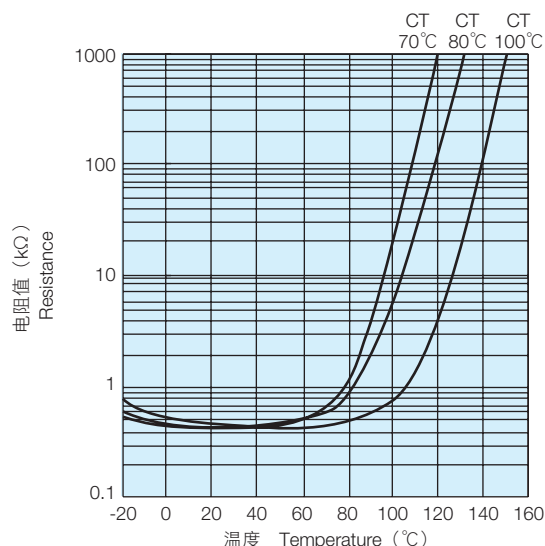
欲知关于此产品含有的环境负荷物质详情(除EU-RoHS以外), 请与我们联系。
编带细节请参考卷末附录C。

The terminal surface material lead free is standard.

Contact us when you have control request for environmental hazardous material other than the substance specified by EU-RoHS.

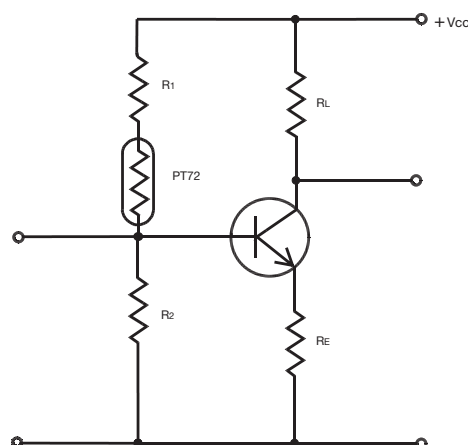
For further information on taping, please refer to APPENDIX C on the back pages.

■ 电阻温度特性 Temperature Characteristic of Resistance



■ 电路实例 Circuit Example

晶体管过电流保护电路
Over-current protection for transistor circuits



■ 性能 Performance

试验项目 Test Items	标准值 Performance Requirements $\Delta R \pm \%$		试验方法 Test Methods
	保证值 Limit	代表值 Typical	
耐焊接热 Resistance to soldering heat	20	4	260°C ± 5°C, 10s ± 1s
温度突变 Rapid change of temperature	20	4	-55°C (30min.) / +125°C (30min.) 5 cycles
电阻值 Resistance	50	35	25°C
耐湿性 Humidity resistance	20	4	40°C ± 2°C, 90%~95%RH, 1000h
额定负荷 Load life	20	4	25°C ± 2°C, 1000h 额定电压 Rated voltage

■ 使用注意事项 Precautions for Use

- 在特殊环境（还原气体、腐蚀气体等）下，性能有可能劣化，因此不要使用。
- 基板的挠度对产品直接成为应力，应当尽力缩小挠度、扭曲。
- 焊接只对应回流焊。
- 烙铁直接接触产品主体有造成缺口的危险。
- 如果在超过使用电压的场合使用可能会发生短路。
- Utilizations under the unusual environment (deoxidization-gas and corrosion-gas and others) are strictly prohibited because of a possible deterioration of the performance.
- Warp of a board may cause direct damage to the components. The warp and twist are required to be minimized as much as possible.
- Reflow soldering is only applicable.
- Be sure not to touch the component's (PT72) body by a soldering iron to avoid chipping.
- The product side is not insulation construction. Avoid the pattern layout designing under/near the product.
- If you use the product exceeding the max. working voltage, it may be a cause of the short mode failure.