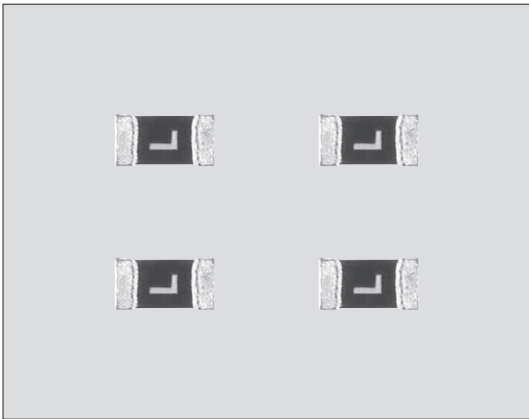


TF10BN 片式保险丝 Chip Current Fuses



外观颜色：黑色 Coating color：Black

特点 Features

- 是1005规格的超小型、轻量的二次电路用片状电流保险丝。可以把占有面积缩小。
- 机械强度优异。
- 根据独特的结构、制作方法，熔断特性稳定。
- 内部电阻值低，电压降低，可以减少功率消耗。
- 适用于小型电子设备的电路组件的过电流保护。
- 对应回流焊接。
- 符合欧盟RoHS。
- 1005 size miniature and light chip current fuses for the secondary circuit. An occupied area reducible.
- Excellent in mechanical strength.
- The original construction and manufacturing method make the fusing characteristics stable.
- Low power consumption and less voltage dropping possible due to low internal resistance.
- Suitable for over current protection of circuit block in small electronic devices.
- Suitable for reflow soldering.
- Products meet EU-RoHS requirements.

取得规格 Approvals Awarded

UL248.14 认定文件号 File No. E131375
c-UL (CSA) C22.2 No.248.14
认定文件号 File No. E131375

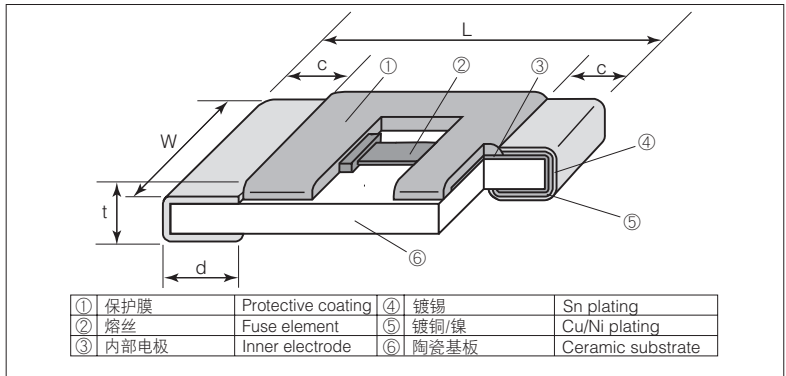
用途 Applications

- 手机 Cellular-telephones
- 数码相机 Digital still cameras
- 笔记本电脑 Notebook personal computers

额定值 Ratings

型号 Type	表示 Marking	额定电流 Rated Current	熔断时间 Fusing Time	内部电阻值 Internal R. (mΩ) Max.	额定电压 Rated Voltage	额定环境温度 Rated Ambient Temp.	使用温度范围 Operating Temperature Range	编带和包装数/卷 Taping & Q'ty/Reel (pcs) TB
TF10BN0.20	A	0.20A	施加额定电流的200%的电流时，在5秒钟以内参照熔断特性图。 Open within 5 s. at 200% rated current. Refer to the graph of fusing characteristics.	1990	24V	+70℃	-55~+125℃	10,000
TF10BN0.25	C	0.25A		1270				
TF10BN0.315	D	0.315A		850				
TF10BN0.50	F	0.50A		320				
TF10BN0.63	I	0.63A		200				
TF10BN0.80	K	0.80A		135				
TF10BN1.00	L	1.00A		115				
TF10BN1.25	M	1.25A		90				
TF10BN1.60	N	1.60A		58				
TF10BN2.00	S	2.00A		42				
TF10BN2.50	T	2.50A		35				
TF10BN3.00	V	3.00A		30				

结构图 Construction

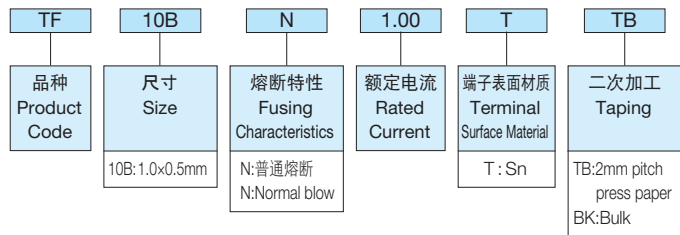


外形尺寸 Dimensions

型号 Type (Inch Size Code)	尺寸 Dimensions (mm)					Weight (g) (1000pcs)
	L	W	c	d	t	
TF10BN (0402)	1.0±0.1	0.5±0.05	0.2±0.1	0.25±0.1	0.4±0.05	0.68

品名构成 Type Designation

实例 Example



欲知关于此产品含有的环境负荷物质详情(除EU-RoHS以外)，请与我们联系。编带细节请参考卷末附录C。

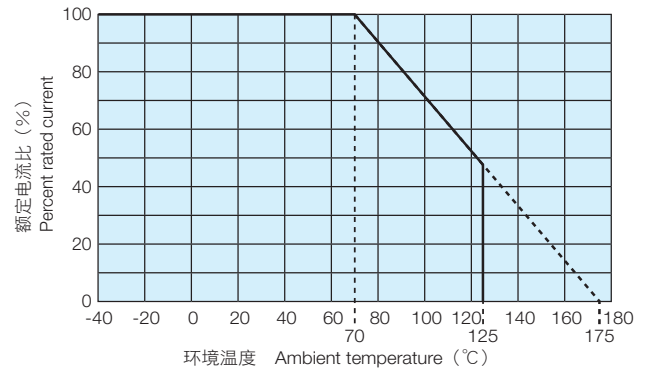
Contact us when you have control request for environmental hazardous material other than the substance specified by EU-RoHS.

For further information on taping, please refer to APPENDIX C on the back pages.

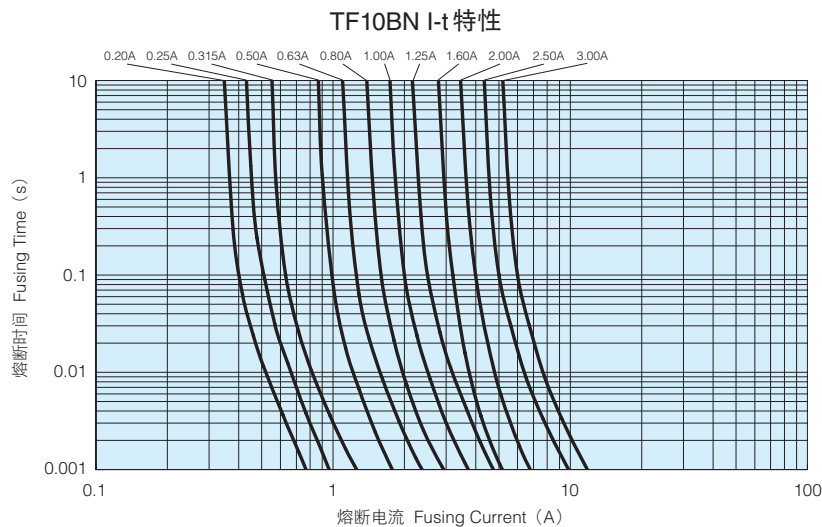
■ 降低额定值 Derating

- 稳恒电流
稳恒电流在重复脉冲时，稳恒电流波形的峰值是恒稳电流值。
- 降低温度
在环境温度70℃以上使用时，需要校正温度，请参考右图的降低系数。
- Stationary current
Regard the peak of stationary current waveform as stationary current value when the stationary current is repeated pulse.
- Temperature Derating
Rated current needs to be derated if used at an ambient temperature of 70℃ or more. Refer to the derating coefficient on the right figure.

■ 根据环境温度减轻额定电流 Rated Current Derating



■ 熔断特性 Fusing Characteristics (标准熔断时间 Average Fusing Time)



■ 性能 Performance

试验项目 Test Items	标准值 Performance Requirements ΔR±%		试验方法 Test Methods
	保证值 Limit	代表值 Typical	
熔断特性 Fusing characteristics	5秒以内 Within 5s.	-	施加额定电流的200%的电流。 200% of rated current shall be carried.
电极强度 Bending test	应当没有电极剥离、导通断线等异常。 No mechanical damages.	-	支持点间隔90mm。弯曲宽度3mm，一次。 Distance between holding points 90mm, bending width 3mm, 1time
耐焊接热 Resistance to soldering heat	10	5	260℃±3℃, 5s ^{1/2} s
焊接性 Solderability	95%以上为新的焊接覆盖。 95% coverage min.	-	245℃±3℃, 3s±0.5s
通电寿命 Load life	10	5	70℃±2℃, 1000h, 额定电流×100%, 1.5小时ON/0.5小时OFF的周期。 Rated current×100%, 1.5h ON/0.5h OFF cycle
耐湿通电寿命 Load life moisture	10	3	40℃±2℃, 90%~95%RH, 1000小时, 额定电流×100%, 1.5小时ON/0.5小时OFF的周期。 Rated current×100%, 1.5h ON/0.5h OFF cycle
温度突变 Rapid change of temperature	10	5	-55℃ (30min) / +125℃ (30min.) 10 cycles
耐溶剂性 Resistance to solvent	外观应无消失等异常。 No evidence of damages to protective.	-	依据MIL-STD-202F Conforming to MIL-STD-202F
残留电阻值 Residual resistance	10KΩ以上 10kΩ or more	-	熔断后的直流电阻值。 Measure DC resistance after fusing

■ 使用上的注意

- 本产品的基材，为了得到保险丝特性，使用了特殊的陶瓷。请避免在氧化气体/液体环境下使用，因为玻璃成分的侵蚀会使材料强度降低，有特性退化的危险，请注意。
- 选定保险丝时，请与本目录内的「保险丝的使用注意事项」一起确认。
- The substrate material of TF10BN applies ceramics to achieve good fusing characteristics. Please keep away from oxygen gas/liquid because such environment may deteriorate element strength and the performance by glass component corrosion.
- When you select fuse product, please make sure to confirm "Precautions for Use of Fusing Components" in this catalogue and ask KOA sales.