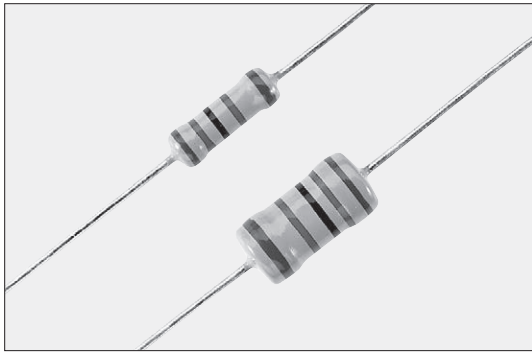
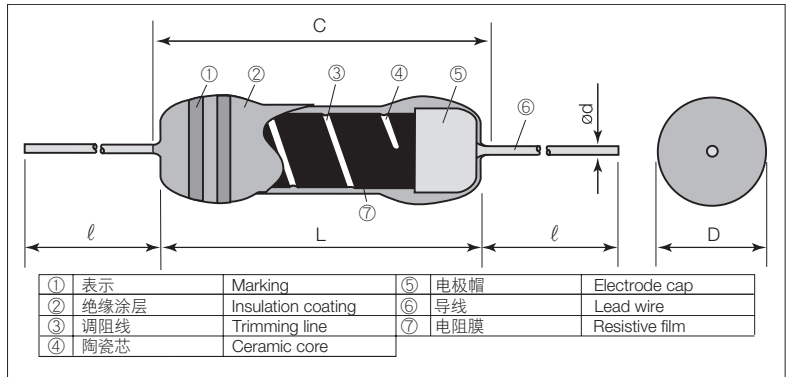


## SN 3A/3D 涂层绝缘型金属膜固定电阻器 Coat-Insulated Fixed Metal Film Resistors



外观颜色: 亮灰色 Coating color: Light gray  
表示: 颜色代码 Marking: Color code

### ■ 结构图 Construction



### ■ 特点 Features

- 是高精度、低T.C.R.的金属膜电阻器。
- 长期稳定性优异。
- 符合欧盟RoHS。
- High precision and low T.C.R. metal film resistors.
- Excellent stability for a long time.
- Products meet EU-RoHS requirements.

### ■ 外形尺寸 Dimensions

型号 Type	尺寸 Dimensions (mm)					Weight (g) (1000pcs)
	L±0.2	C Max.	D±1.0	d (Nominal)	ℓ±3	
SN3A	14.1	18.3	4.8	1.0	38	1,240
SN3D	16.5	21.5	8.4			3,340

### ■ 参考标准 Reference Standards

IEC 60115-1  
JIS C 5201-1

### ■ 品名构成 Type Designation

实例 Example

SN	3A	D	G	1002	F
品种 Product Code	额定功率 Power Rating	电阻温度系数 T.C.R. (×10 <sup>-6</sup> /K)	端子表面材质 Termination Surface Material	公称电阻值 Nominal Resistance	阻值允许偏差 Resistance Tolerance
	3A: 1W 3D: 2W	C: ±50 D: ±100 L: ±200	C: SnCu	D,F: 4digits G: 3digits	D: ±0.5% F: ±1% G: ±2%

欲知关于此产品含有的环境有害物质详情(除EU-RoHS以外), 请与我们联系。  
编带细节请参考卷末附录C。

Contact us when you have control request for environmental hazardous material other than the substance specified by EU-RoHS.  
For further information on taping, please refer to APPENDIX C on the back pages.

### ■ 额定值 Ratings

型号 Type	额定功率 Power Rating	电阻温度系数 T.C.R. (×10 <sup>-6</sup> /K)	电阻值范围 Resistance Range (Ω)			最高使用电压 Max. Working Voltage	最高过载电压 Max. Overload Voltage	耐电压 Dielectric Withstanding Voltage
			D: 0.5% E24 • E192	F: ±1% E24 • E96	G: ±2% E24			
SN3ACC	1W	C: ±50	-	10~1M	-	500V	1000V	1000V
SN3ADC		D: ±100	10~1M	10~1M	10~1M			
SN3ALC		L: ±200	-	4.99~10	1~10			
SN3DDC	2W	D: ±100	10~1.5M	10~1.5M	10~1.5M	500V	1000V	1000V
SN3DLC		L: ±200	-	-	5.1~10			

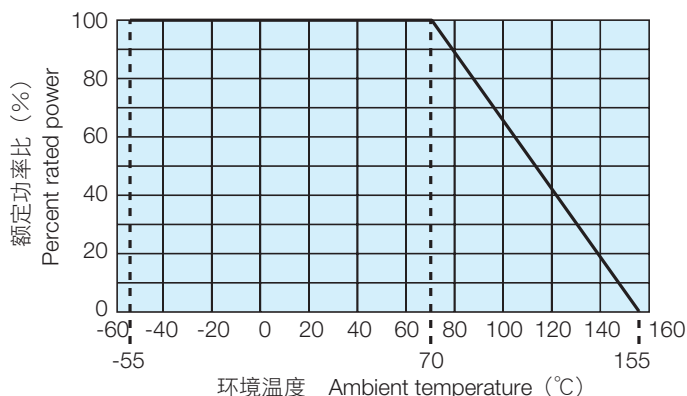
额定环境温度 Rated Ambient Temperature: +70°C

使用温度范围 Operating Temperature Range: -55°C~+155°C

额定电压是√(额定功率×公称电阻值)所算出的值或表中最高使用电压两者中小的值为额定电压。

Rated voltage = √(Power Rating × Resistance value) or Max. working voltage, whichever is lower.

## ■ 负荷减轻特性曲线 Derating Curve



在环境温度70℃以上使用时，应按照上图负荷减轻特性曲线，减小额定功率。

For resistors operated at an ambient temperature of 70°C or above, a power rating shall be derated in accordance with the above derating curve.

## ■ 性能 Performance

试验项目 Test Items	标准值 Performance Requirements $\Delta R \pm (\% + 0.05 \Omega)$	试验方法 Test Methods
	保证值 Limit	
电阻值 Resistance	在规定的允许偏差内 Within specified tolerance	+25°C
电阻温度系数 T.C.R.	在规定值以内 Within specified T.C.R.	+25°C/+125°C
过载(短时间) Overload (Short time)	0.5	额定电压×2.5倍或最高过载电压低的一方施加5秒钟。 Rated voltage × 2.5 or Max. overload vol., whichever is lower, for 5s
耐焊接热 Resistance to soldering heat	0.25	260°C ± 5°C, 10s ± 1s
温度突变 Rapid change of temperature	0.5	-55°C (30min.) / +155°C (30min.) 5 cycles
耐湿负荷 Moisture resistance	1	40°C ± 2°C, 90%~95%RH, 1000h 1.5小时ON、0.5小时OFF的周期 1.5h ON/0.5h OFF cycle
在70℃时的耐久性 Endurance at 70°C	1	70°C ± 2°C, 1000h 1.5小时ON、0.5小时OFF的周期 1.5h ON/0.5h OFF cycle

## ■ 使用注意事项 Precautions for Use

- 助焊剂等在本产品和安装的印刷电路板上附着离子性杂质时，其耐湿性·耐腐蚀性将受到影响。助焊剂内有时含有氯·酸等离子性物质，为除去这些离子性物质应进行清洗。特别是使用无铅助焊剂时，由于湿润性提高了，有时会含有大量离子性物质，所以在使用RMA系的焊锡或助焊剂时，应充分进行清洗。并且，保管环境和安装条件、环境等，附着了汗·盐等离子性物质时，其耐湿性·耐腐蚀性也将受到影响。对于这种污染，为了除去这些离子性物质，应当进行清洗。
- Ionic impurities such as flux etc. that are attached to these products or those mounted onto a PCB, negatively affect their moisture resistance, corrosion resistance, etc. The flux may contain ionic substances like chlorine, acid, etc. Please wash them to get rid of these ionic substances especially when using lead-free solder that may contain much of the said substances for improving a wetting characteristic. Using RMA solder or RMA flux, or well-washing is needed. Also, attaching ionic substances such as perspiration, salt etc. by storage environments or mounting conditions/environments negatively affects their moisture resistance, corrosion resistance etc. Please wash them to remove the ionic substances when they are polluted.