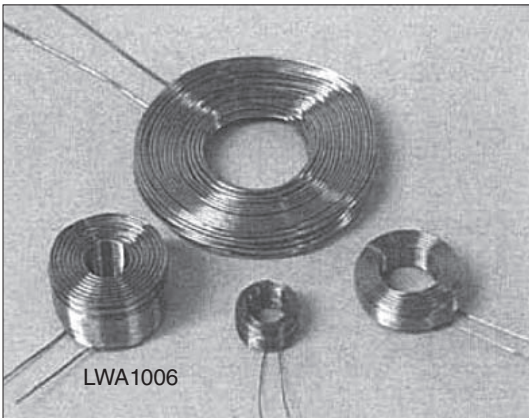
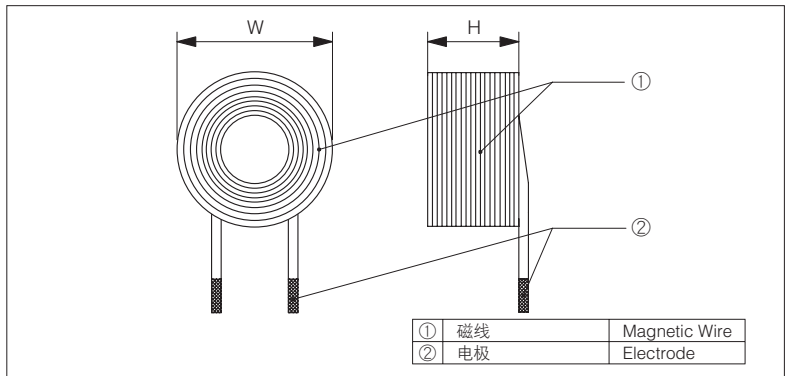


LWA 定制电感线圈 Custom Wire Wound Coil



构造图 Construction



特点 Features

- 是不使用磁芯和梭壳也能保持形状的线圈。
- 由于对应定制品，所以关于各种形状，尺寸，电感值等的定制请与我公司商谈。
- 运用独特的绕线技术，使电感器形状安定。
- 符合欧盟RoHS。
- Wire wound coil that can keep its shape even if neither the core nor the bobbin are used.
- Custom product. Please ask to our sales person regarding shapes, dimensions, and inductances etc. that you want.
- Provide a stable shape coil by the original winding technology.
- Products meet EU-RoHS requirements.

用途 Applications

- 无触点供电用线圈
- 驱动器电感
- Coils for wire-less power supply
- Coils for actuator

额定值 Ratings

实例 Example

使用温度范围 Operating temperature range : $-40^{\circ}\text{C} \sim +85^{\circ}\text{C}$ (包含自身的温升。Self-heating is included.)

※线圈绕组部分的温度(环境温度+自身发热)须在工作温度上限(+85℃)以下。

※That the operating temperature upper limit temperature of the coil winding portions (ambient temperature + self-heating) is (+85℃) or less.

包装数量/卷 Q'ty/Reel: 250pcs

型号 Type	公称电感值 Nominal Inductance (μH)	电感允许偏差 Inductance Tolerance	测定频率 Measuring Frequency (kHz)	直流电阻 DC Resistance (Ω) Max.	允许直流电流 Allowable DC Current (mA) Max.
LWA1006	550	J: $\pm 5\%$	10	6.7	200

关于其它电感值等，请与我们联系。Please ask to our sales person regarding other inductance etc. that you want.

性能 Performance

LWA1006

试验项目 Test Items	标准值 Performance Requirements Maximum $\Delta\text{L}/\text{L}$		试验方法 Test Methods
	保证值 Limit	代表值 Typical	
温度突变 Rapid change of temperature	$\Delta\text{L}/\text{L}$: $\pm 5\%$ 外观应无显著异常。 No significant abnormality in appearance	$\Delta\text{L}/\text{L}$: $\pm 0.74\%$	-40°C (30min) / $+125^{\circ}\text{C}$ (30min)、100 cycles
低温放置 Low temperature exposure	$\Delta\text{L}/\text{L}$: $\pm 5\%$ 外观应无显著异常。 No significant abnormality in appearance	$\Delta\text{L}/\text{L}$: $\pm 0.32\%$	$-40^{\circ}\text{C} \pm 2^{\circ}\text{C}$ 、1000h
高温放置 High temperature exposure	$\Delta\text{L}/\text{L}$: $\pm 5\%$ 外观应无显著异常。 No significant abnormality in appearance	$\Delta\text{L}/\text{L}$: $\pm 0.42\%$	$+85^{\circ}\text{C} \pm 2^{\circ}\text{C}$ 、1000h
耐湿性 Moisture endurance	$\Delta\text{L}/\text{L}$: $\pm 5\%$ 外观应无显著异常。 No significant abnormality in appearance	$\Delta\text{L}/\text{L}$: $\pm 0.51\%$	$+40^{\circ}\text{C} \pm 2^{\circ}\text{C}$ 、90~95%RH、100h

本样本手册中记载的产品规格如有变更，恕不一一奉告。订购及使用之前，请仔细确认规格表的内容。
用于车载设备、医疗设备、航空设备以及其它涉及人身安全、或可能引起重大损失的设备上时，请务必事先与我公司联系。这些产品在这类用途中出现故障或失灵可能导致人身事故或严重损坏。
Specifications given herein may be changed at any time without prior notice. Please confirm technical specifications before you order and/or use.
Contact our sales representatives before you use our products for applications including automobiles, medical equipment and aerospace equipment.
Malfunction or failure of the products in such applications may cause loss of human life or serious damage.

电感器
Inductor