

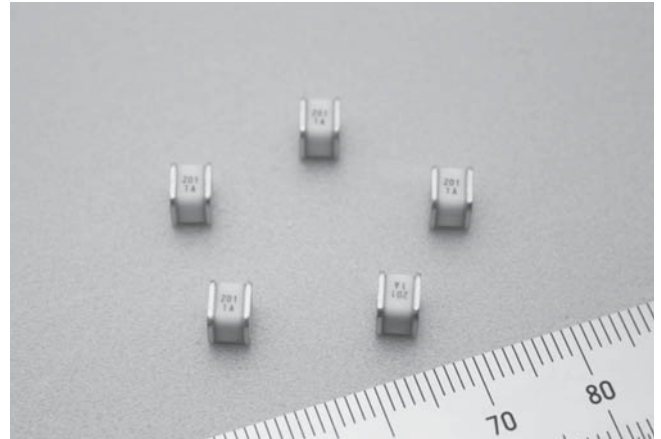


### Features

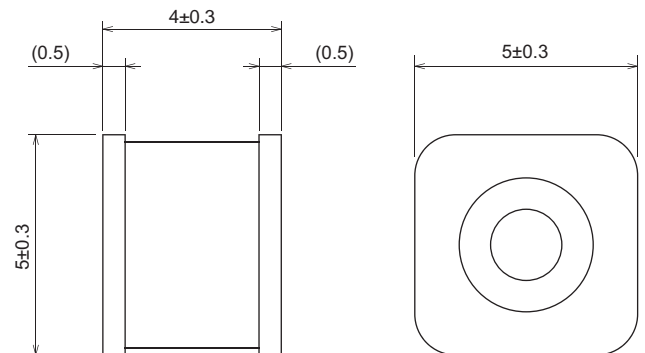
- Small surface mount type corresponding to reflow solder
- High impulse current capacity 8/20 $\mu$ s-5,000A
- Quick response for surge
- Excellent insulation resistance and small capacitance 1.0pF max.
- Recommendation of ITU-T conformity

### Applications

- Homegateway equipments
- Telephone, PBX, Wireless base station
- Optical transmission equipments
- CATV transmission equipments, BS / CS broadcasts equipments
- Fire alarm systems and Home security systems



### Dimensions



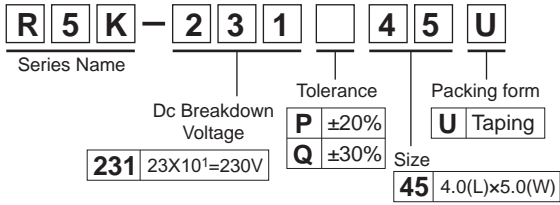
Unit: mm

### Electrical Specifications

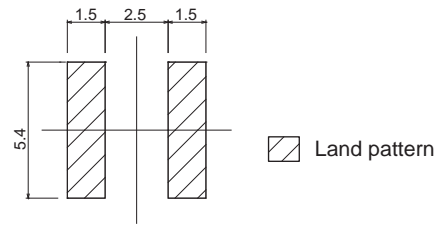
Model Number*1	DC Breakdown Voltage (V)	Insulation Resistance (M $\Omega$ ) min.	Capacitance 1MHz (pF) max.	Impulse Life Test	Impulse Current Capacity*2	Impulse Withstanding Voltage Capacity
R5K-750□45U	75	1,000(DC50V)	1.0	8/20 $\mu$ s, 100A 300 times	8/20 $\mu$ s, 5,000A Positive/Negative 5 times	10/700 $\mu$ s 15,000V (R=25 $\Omega$ ) Positive/Negative 5times
R5K-900□45U	90					
R5K-151□45U	150					
R5K-231□45U	230	1,000(DC100V)				
R5K-251□45U	250					
R5K-351□45U	350					
R5K-421□45U	420					
R5K-501□45U	500					
R5K-601□45U	600					

\*1 □: Tolerance  $\pm 20\%$ =P, Tolerance  $\pm 30\%$ =Q  
\*2 Comforms to ITU-T K.20,K.21 Enhanced test

• Model numbering system



• Recommended Land Pattern (Typical value)

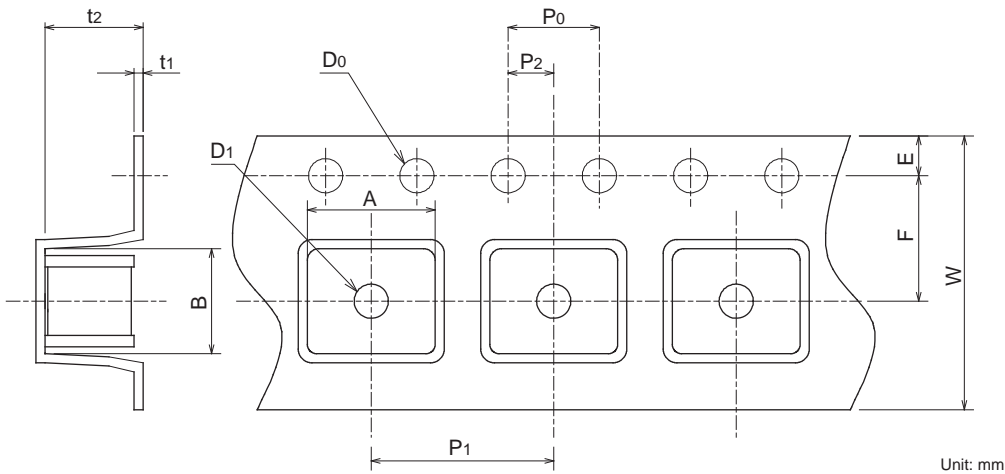


Recommended thickness of copper foil is 70µm for upgrading of withstand surge current.

Unit: mm

	Dimensions (mm)		
	a	b	c
Reflow Soldering	2.5	5.5	5.4

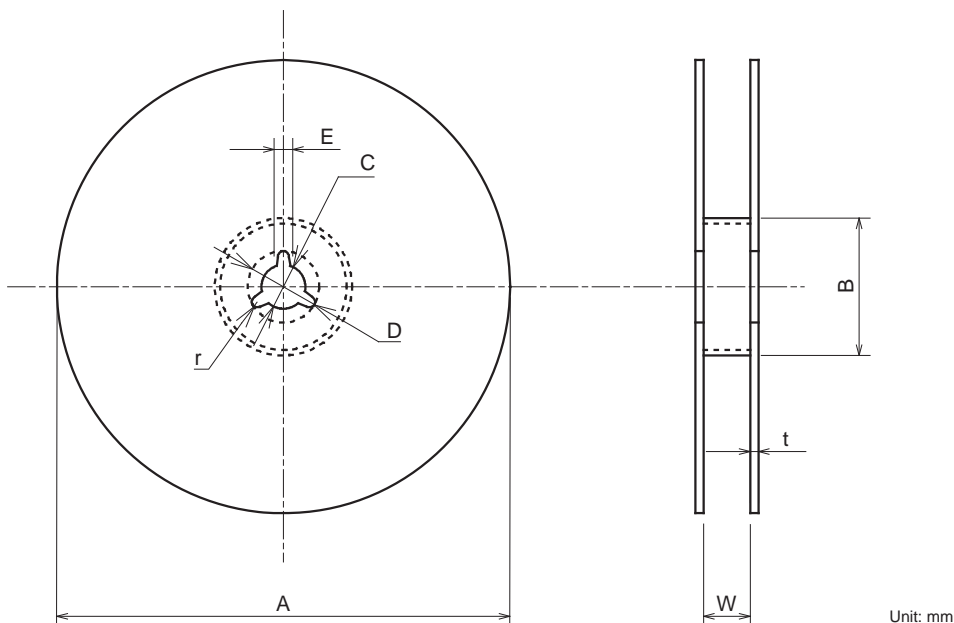
• Taping Dimensions



Unit: mm

Dimensions (mm)	
A	5.6±0.3
B	4.6±0.3
W	12.0±0.4
F	5.5±0.2
E	1.75±0.2
P1	8.0±0.2
P2	2.0±0.2
P0	4.0±0.2
D0	φ 1.5±0.1
D1	φ 1.5 min.
t1	0.35±0.2
t2	5.35±0.2

• Reel Dimensions (2,000pcs per one reel)



Unit: mm

Dimensions (mm)	
A	φ 380±3
B	φ 80±2
C	φ 13.0±0.5
D	φ 21±1
E	2±1
W	13.5±2.0
t	2.0±0.5
r	1.0±0.2



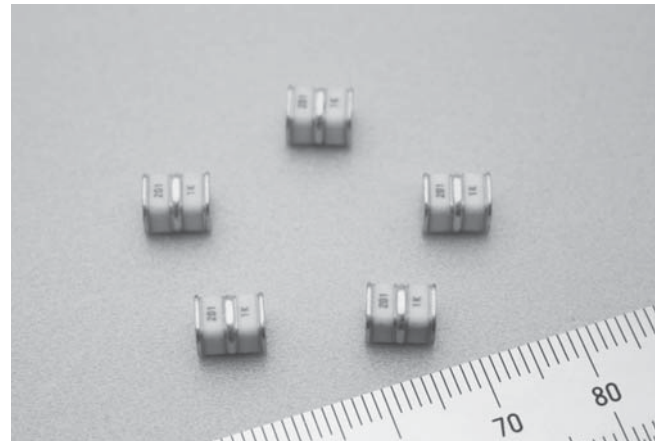
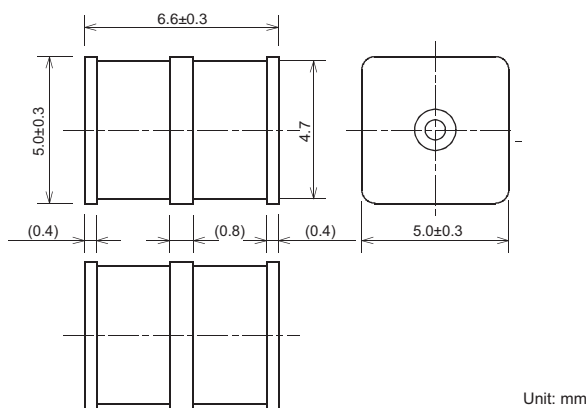
### Features

- Small surface mount type corresponding to reflow solder
- High impulse current capacity 8/20 $\mu$ s-5,000A
- Quick response for surge
- Excellent insulation resistance and small capacitance (1.0pF max.)
- Recommendation of ITU-T conformity

### Applications

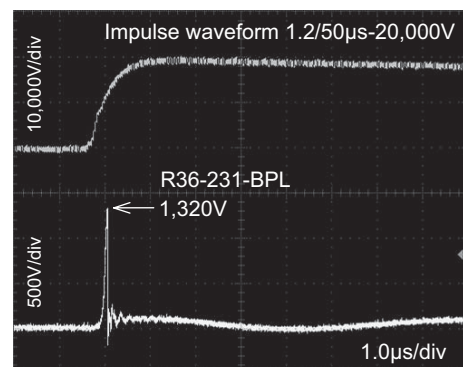
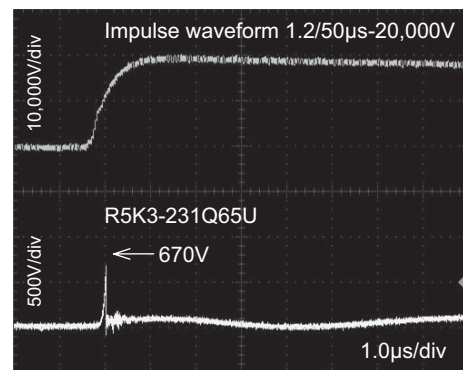
- Homegateway equipments
- Telephone, PBX, Wireless base station
- Optical transmission equipments
- CATV transmission equipments, BS / CS broadcasts equipments
- Fire alarm systems and Home security systems

### Dimensions



**NEW**

### Impulse Absorption Characteristics

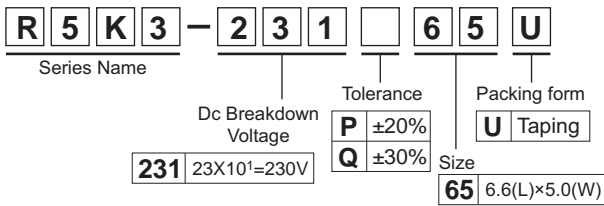


### Electrical Specifications

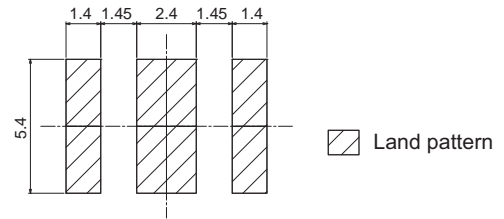
Model Number*1	DC Breakdown Voltage (V)	Insulation Resistance (M $\Omega$ ) min.	Capacitance 1MHz (pF) max.	Impulse Life Test	Impulse Current Capacity*2	Impulse Withstanding Voltage Capacity
R5K3-750□65U	75	1,000(DC50V)	1.0	8/20 $\mu$ s, 100A 300 times	8/20 $\mu$ s, 5,000A Positive/Negative 5 times	10/700 $\mu$ s 15,000V (R=25 $\Omega$ ) Positive/Negative 5times
R5K3-900□65U	90					
R5K3-151□65U	150					
R5K3-231□65U	230	1,000(DC100V)				
R5K3-251□65U	250					
R5K3-351□65U	350					
R5K3-421□65U	420					
R5K3-501□65U	500					
R5K3-601□65U	600					

\*1 □: Tolerance  $\pm 20\%$ =P, Tolerance  $\pm 30\%$ =Q  
\*2 Comforms to ITU-T K.20,K.21 Enhanced test

● Model numbering system



● Recommended Land Pattern (Typical value)

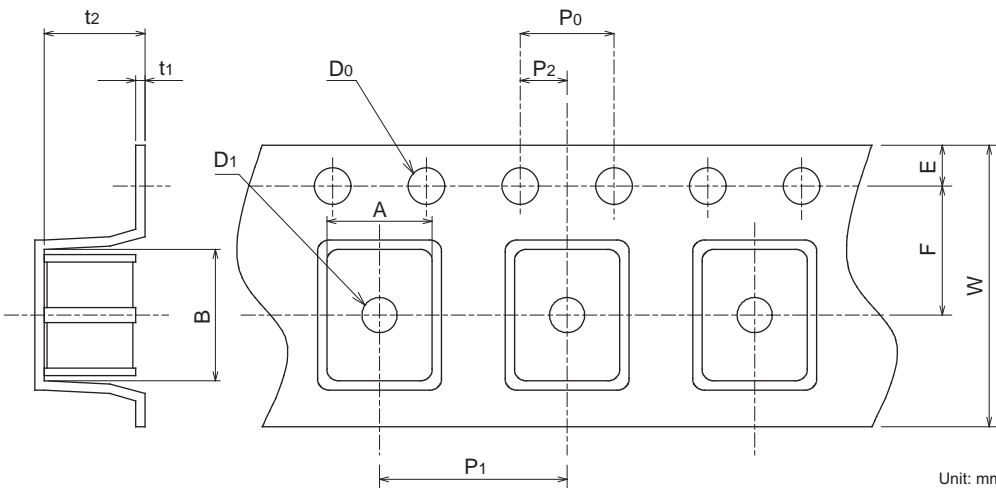


Recommended thickness of copper foil is 70µm for upgrading of withstand surge current.

Unit: mm

	Dimensions (mm)				
	a	b	c	d	e
Reflow Soldering	1.8	1.8	5.3	8.1	5.4

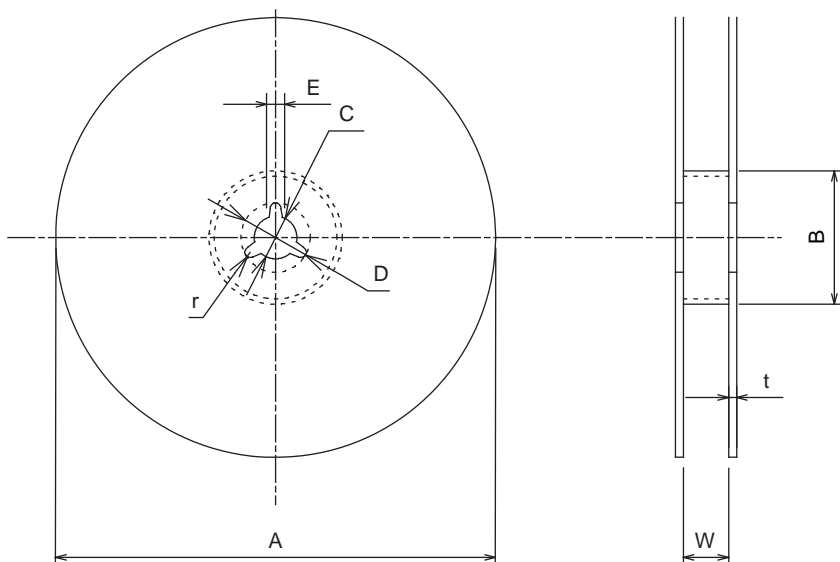
● Taping Dimensions



Unit: mm

Dimensions (mm)	
A	5.6±0.3
B	7.3±0.3
W	16.0±0.4
F	7.5±0.2
E	1.75±0.2
P1	8.0±0.2
P2	2.0±0.2
P0	4.0±0.2
D0	φ 1.55±0.1
D1	φ 1.5 min.
t1	0.40±0.2
t2	5.35±0.2

● Reel Dimensions (2,000pcs per one reel)



Unit: mm

Dimensions (mm)	
A	φ 380±3
B	φ 80±2
C	φ 13.0±0.5
D	φ 21±1
E	2±1
W	17.5±2.0
t	2.0±0.5
r	1.0±0.2