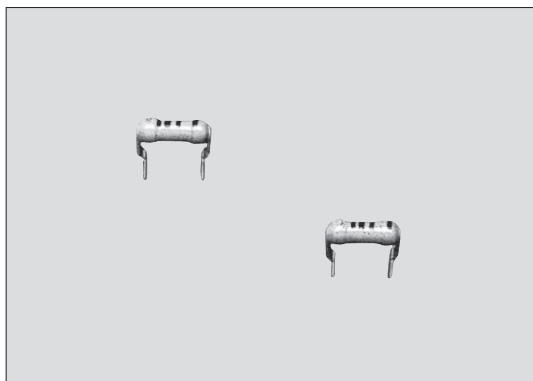


RF26 涂层绝缘型保险丝电阻器 (L型) Coat-insulated Fusing Resistors (L-style)

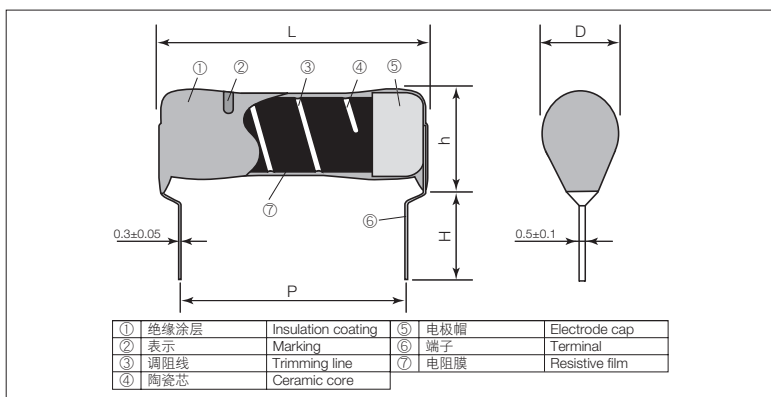


外观颜色: 蓝色 Coating color: Blue
表示: 彩色点 Marking: Color dot

特点 Features

- 通常作为电阻器发挥功能。
- 对异常时的过载, 迅速熔断, 保护电路。
- 由于采用L形框架(端子间隔5.08mm), 因此, 可以高密度安装, 自立强度优异。
- 阻燃性涂层(相当于UL94 V-0)。
- 符合欧盟RoHS。
- Function as a resistor in normal condition.
- Quick fusing protects circuit from excessive overload.
- High density mounting and excellent self-standing strength with L-shape leads frame (lead pitch. 5.08mm)
- Flame retardant coating. (Equivalent to UL94 V-0.)
- Products meet EU-RoHS requirements.

结构图 Construction



外形尺寸 Dimensions

型号 Type	尺寸 Dimensions (mm)					Weight (g) (1000pcs)
	L Max.	D Max.	P	H	h Max.	
RF26 2E	7.25	2.54	5.08±0.3	5.0±1	5.5	370 (Taping)

参考标准 Reference Standards

IEC 60115-1
JIS C 5201-1
EIAJ RC-2125

品名构成 Type Designation

实例 Example

品种 Product Code	电阻温度系数 T.C.R. ($\times 10^{-6}/K$)	额定功率 Power Rating	端子表面材质 Terminal Surface Material	二次加工 Taping & Forming	包装 Packaging	公称电阻值 Nominal Resistance	阻值允许偏差 Resistance Tolerance
RF26	B: ± 350	2E: 0.25W	T: Sn	空栏: 散装 Nil: Bulk T: 编带 T: Taping	空栏: 散装 Nil: Bulk A: AMMO包装 A: AMMO	3 digits	J: $\pm 5\%$

欲知关于此产品含有的环境有害物质详情(除EU-RoHS以外), 请与我们联系。
编带细节请参考卷末附录C。

Contact us when you have control request for environmental hazardous material other than the substance specified by EU-RoHS.

For further information on taping, please refer to APPENDIX C on the back pages

额定值 Ratings

额定功率 Power Rating	电阻值范围 Resistance Range (Ω) J: $\pm 5\%$	熔断特性 Fusing Characteristics					熔断时间 Fusing Time	电阻温度系数 T.C.R. ($\times 10^{-6}/K$)	耐电压 Dielectric Withstanding Voltage	编带和包装数/AMMO 包装 Taping & Q'ty/AMMO pack (pcs)
		熔断功率 Fusing Power								
0.25W	0.1~1k (E24)	10W	7.5W	6.25W	3.75W	3W	30sec Max.	± 350	250V	2,000

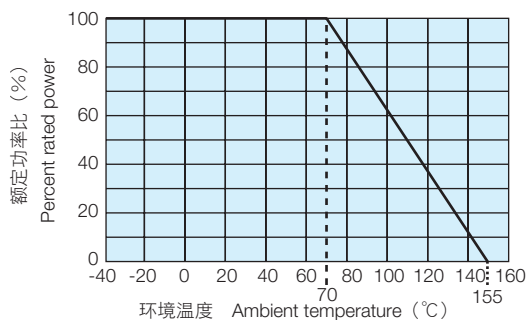
额定环境温度 Rated Ambient Temperature: $+70^{\circ}C$

使用温度范围 Operating Temperature Range: $-40^{\circ}C \sim +155^{\circ}C$

额定电压是 $\sqrt{\text{额定功率} \times \text{公称电阻值}}$ 所算出的值。

Rated voltage = $\sqrt{\text{Power Rating} \times \text{Resistance value}}$

■ 负荷减轻特性曲线 Derating Curve

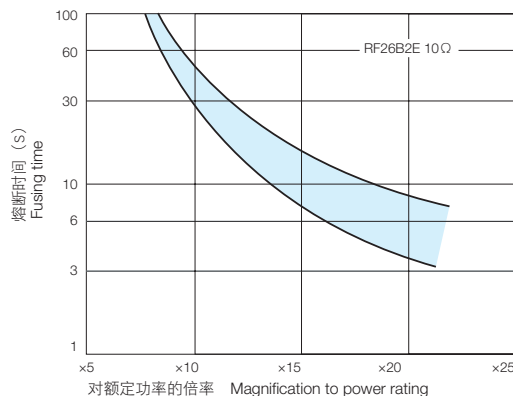
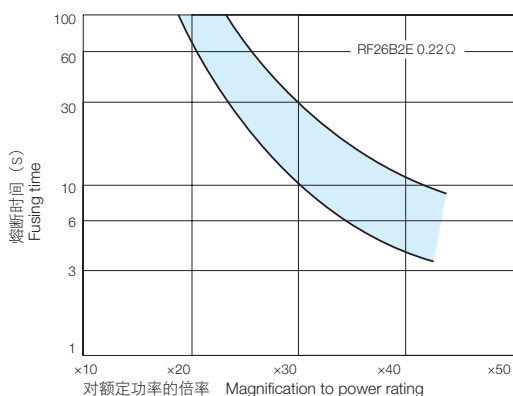


在环境温度70℃以上使用时，应参照左图负荷减轻特性曲线，减小额定功率。
For resistors operated at an ambient temperature of 70°C or above, a power rating shall be derated in accordance with derating curve on the left.

■ 性能 Performance

试验项目 Test Items	标准值 Performance Requirements $\Delta R \pm (\% + 0.05 \Omega)$		试验方法 Test Methods
	保证值 Limit	代表值 Typical	
电阻值 Resistance	在规定的允许偏差内 Within specified tolerance	-	25°C
电阻温度系数 T.C.R.	在规定的允许偏差内 Within specified tolerance	-	室温/100°C以上 Room temperature + 100°C
过载(短时间) Overload (Short time)	1	0.5	额定电压×2.5倍施加5秒钟。 Rated voltage × 2.5 for 5s
耐焊接热 Resistance to soldering heat	1	0.5	350°C ± 10°C, 3.5s ± 0.5s or 260°C ± 5°C, 10s ± 1s
温度突变 Rapid change of temperature	1	0.5	-40°C (30min.) / +85°C (30min.) 5 cycles
耐湿负荷 Moisture resistance	5	3	40°C ± 2°C, 90%~95%RH, 1000h 1.5小时ON、0.5小时OFF的周期 1.5h ON/0.5h OFF cycle
在70°C时的耐久性 Endurance at 70°C	5	2.5	70°C ± 2°C, 1000h 1.5小时ON、0.5小时OFF的周期 1.5h ON/0.5h OFF cycle
耐溶剂性 Resistance to solvent	应当外观没有异常，表示容易辨认。 No abnormality in appearance. Marking shall be easily legible	-	在异丙醇中浸渍30秒钟。 The resistor shall be immersed in IPA for 30 sec.
阻燃性 Flame retardant	应不发火和自动发火。 No evidence of flaming or self-flaming.	-	耐火性：把试验火焰在主体上烧15秒，取下15秒，5个循环。 过载耐火性：相当于额定功率的2、4、8、16、32倍。把电力分别施加1分钟直到断线。 Flame test : The test flame shall be applied and removed for each 15 sec respectively to repeat the cycle 5 times. Overload flame retardant: Power corresponding to 2, 4, 8, 16 and 32 times the power rating shall be applied for each 1min. until disconnection occurs.

■ 熔断特性实例 Example of Fusing Characteristics



保险丝电阻器
Fusing Resistors

■ 使用注意事项 Precautions for Use

- 由于包装涂层是阻燃性特种涂料，对外部冲击比较脆弱，使用时应注意。清洗应在最小限度。清洗后涂层膜比较脆弱，因此，在充分干燥以前，不要在涂层膜上施加外力。由于要干燥后才恢复到原来强度，因此，请注意。在清洗后约20分钟以内，不要在电阻的涂层膜上施加外力。特别不要进行基板的堆叠等。
- Be careful to handle these resistors because outer coatings are comparatively weak to outer shock due to flameproof special coats. Please wash them to a minimum. No external force is given to the coating films until they are well dried because the coating films become weaker right after washing. The original strength will be returned after they are dried, so please pay attention not to apply any external force onto the coating film of resistors for 20 minutes after drying. Especially no PC boards shall be piled up.