



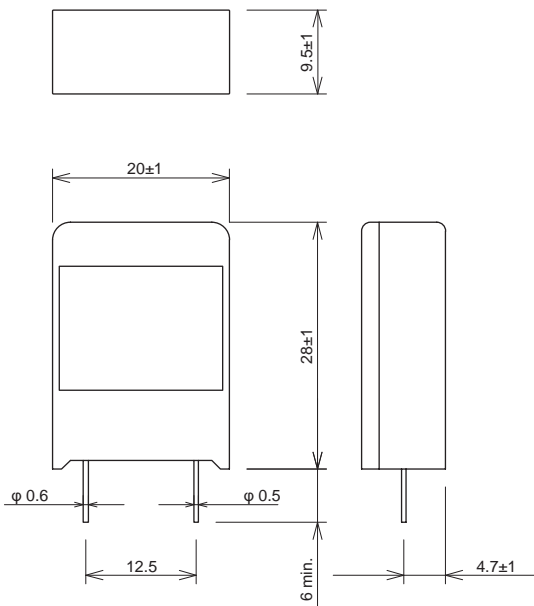
Features

- Fast response time.
- Bi-polar and it will fail open if surge withstand capability is exceeded.
- Small inter-terminal capacitance.
- High insulation resistance ($10^9\Omega$ min.).

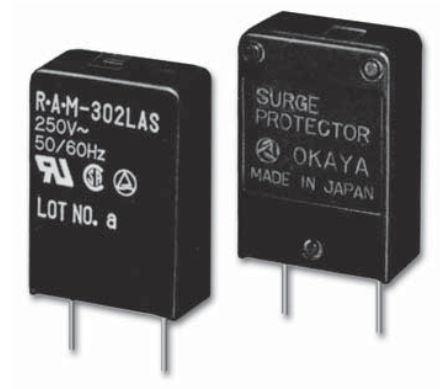


Safety Standard		File No.
UL	:UL1449 3rd.	E332107
CSA	:C22.2 No.8	LR105073
TÜV	:IEC60384-14	J9650111

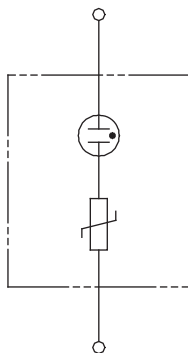
• *Dimensions*



Unit: mm



• *Circuit*



Electrical Specifications

Safety Standard			Model Number	Rated Voltage 50/60Hz (Vac)	Max. Line Voltage (Vac)	DC Breakdown Voltage Ez +30, -20%	Impulse Current Capacity 8/20μs(A)	Insulation Resistance IR (MΩmin.)	Withstanding Voltage	Capacitance 1MHz (pF)max.	Operating Temp. Range(°C)
UL	CSA	TÜV									
○	○	-	R-A-M-242LAS	125	140	2,400V	2,000	10,000 (DC500V)	1,000V/60s, 1,250V/3s	2.0	-20 ~ +80
○	○	○	R-A-M-302LAS	250	300	3,000V			1,500V/60s		
○	○	○	R-A-M-362LAS			3,600V			1,500V/60s, 1,800V/3s		