



Features

- Continual rated voltage AC150V-AC600V.
- IEC 61643-1 approval.
- Lightning surge protection for both single and three phase application.
- Fast response.
- Maximum peak surge current 8/20 μ s-5,000A.
- Every pathway consists of same elements.
Between line and line/between lines and ground can protect as the same level.
- Business equipment Compliant to IEC60950

Applications

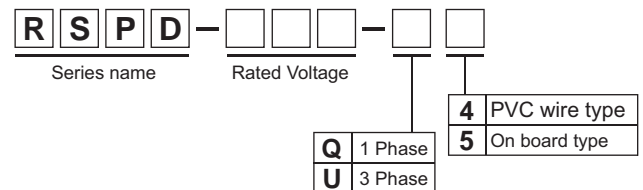
- Tapping machine, CNC turning machine, general machinery.



Safety Standard		File No.
UL	:UL1449 3rd.	E322107
cUL	:C22.2 No.8	
SEMKO	:IEC61643-1:1998+A1 :EN61643-11:2002+A11	SE-47338 1020655



Model numbering system



Electrical Specifications

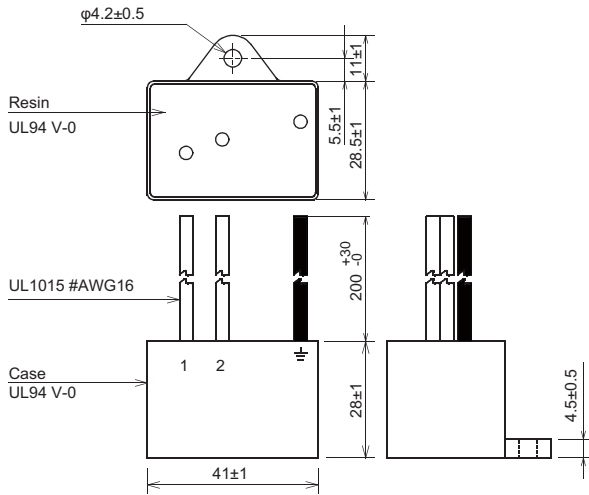
Safety Standard	Model Number*	Rated Voltage 50/60Hz		DC Operating Voltage (V) \pm 25%	Voltage Protection Level (V)	Nominal Discharge Current 8/20 μ s (A)	Max. Discharge Current 8/20 μ s (A)	Impulse life test 8/20 μ s-1,000A
	RSPD-150-Q□	Single Phase	AC150V	400	800	2,500	5,000	Approx. 300times
	RSPD-250-Q□	Single Phase	AC250V	700	1,300			
	RSPD-250-U□	Three Phase						
	RSPD-420-Q□	Single Phase	AC420V	1,100	1,500			
	RSPD-420-U□	Three Phase						
	RSPD-500-Q□	Single Phase	AC500V	1,300	2,000			
	RSPD-500-U□	Three Phase						
	RSPD-600-Q□	Single Phase	AC600V	1,500	2,500			
RSPD-600-U□	Three Phase							

* □: PVC wire type=4, on board type=5

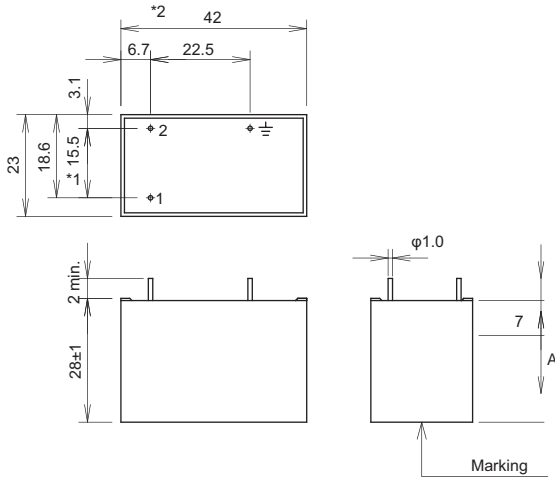
● Dimensions

RSPD-□□□-Q series (Single-Phase)

Wire terminal type (-4)

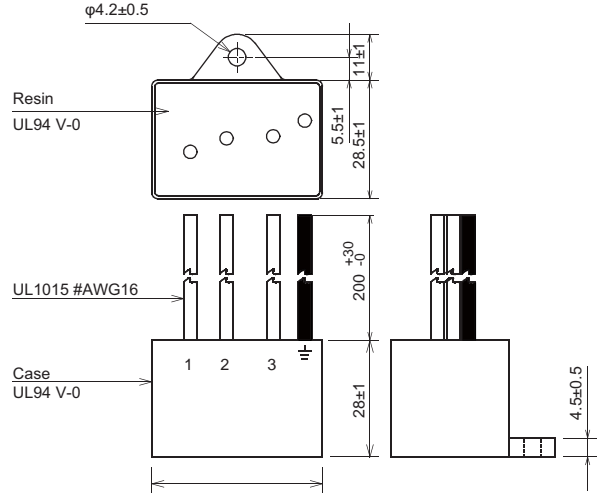


Solder lead type (-5)

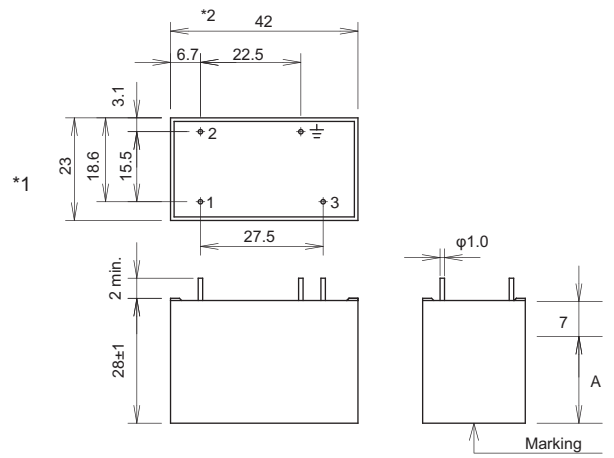


RSPD-□□□-U series (Three-Phase)

Wire terminal type (-4)



Solder lead type (-5)

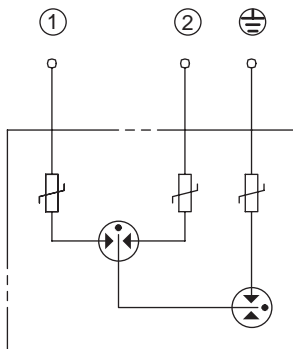


(A, *1, *2 Tolerance: ± 0.5)

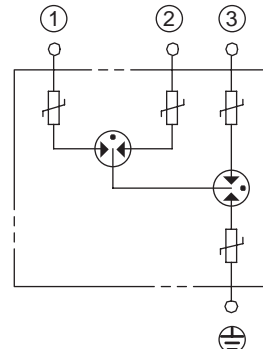
Unit: mm
Tolerance: ± 1.0

● Circuit

RSPD-□□□-Q series



RSPD-□□□-U series



Flexible wires in black color can connect to each phase without any specific control.