

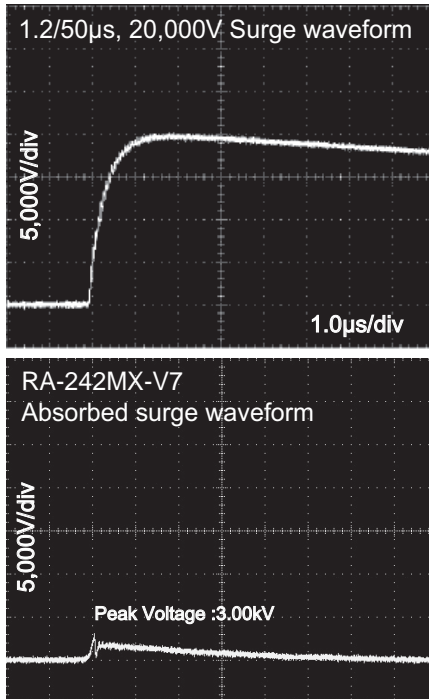


Features

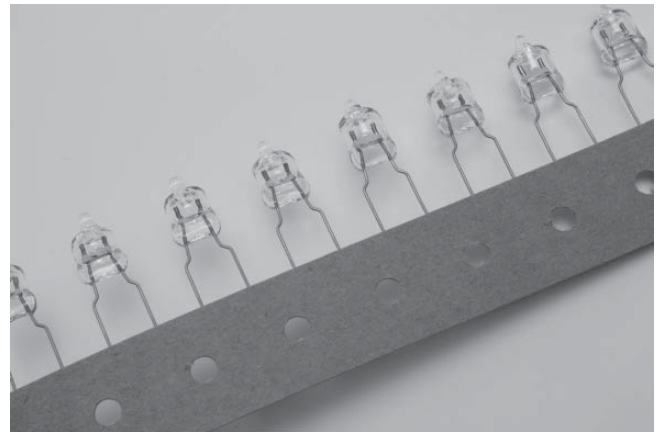
- Invented 3mm height smaller size of RA-V7 Series compare with present productions
- Dielectric strength voltage test compliant
- High-speed response of surge
- Wide range of lineup from DC500V to DC4500V
- Approved for UL, CSA, TÜV, SEMKO

Applications

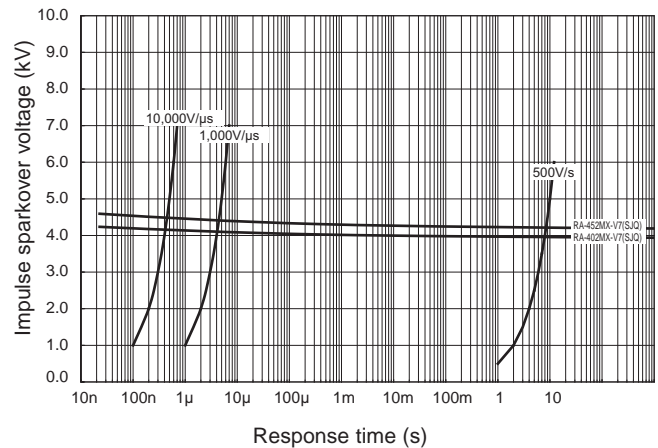
- LCD-TV, PDP-TV
- Blue-Ray recorder
- Antenna amplifier (Booster)
- Copier, Telecommunication equipment
- *Impulse Absorption Characteristics*



Safety Standard		File No.
UL	:UL1449	E322107
CSA	:C22.2 No.60065	CA105073
TÜV	:EN60065-11 :EN60950	J50114145
SEMKO	:IEC61643-1 :EN61643-11	SE-66249 1115778
JQA	:J60065(H20)	JQ10641-1



V-t Characteristics



Electrical Specifications

Safety Standard					Model Number	DC Breakdown Voltage (V)	Capacitance 1MHz (pF) max.	Impulse Life test 8/20µs 100A	Impulse Current Capacity 8/20µs (A)	Withstanding Voltage
UL 1449	CSA	TÜV	SEMKO	JQA						
○ ¹ ₂	○ ³ ₄	○ ⁵	○	○	RA-402MX-V7-Y(SJQ)	4,000(3,200~4,800) ⁵	1.0	300 times	3,500	AC2,000V 60s
○ ¹ ₂	○ ³ ₄	○ ⁵	○	○	RA-452MX-V7-Y(SJQ)	4,500(3,600~5,400) ⁵				AC2,000V 60s

*1 Rated voltage AC125V: Approved if it is connected to UL approved varistor (V1.0mA≥270V, D≥φ 7mm).

*2 Rated voltage AC250V: Approved if it is connected to UL approved varistor (V1.0mA≥390V, D≥φ 7mm).

*3 Rated voltage AC125V: Approved if it is connected to UL approved varistor (V1.0mA≥270V, D≥φ 14mm).

*4 Rated voltage AC250V: Approved if it is connected to UL approved varistor (V1.0mA≥470V, D≥φ 14mm).

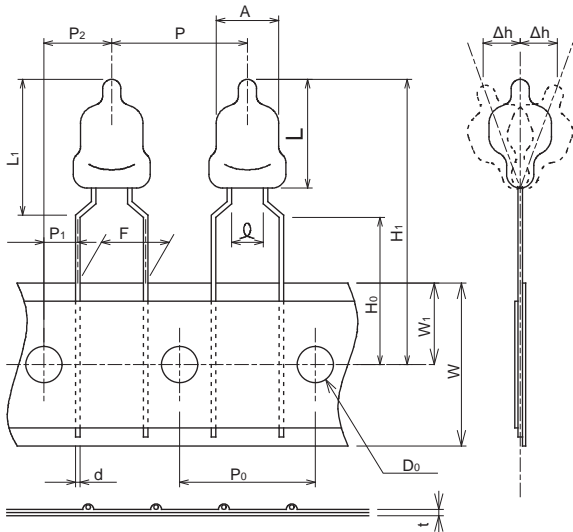
*5 Rated voltage AC125V / 250V: Approved if it is connected to UL approved varistor (V1.0mA≥470V, D≥φ 5mm).

*5 Reference Value



● Taping Dimensions

RA-MX-V7-Y(SJQ)

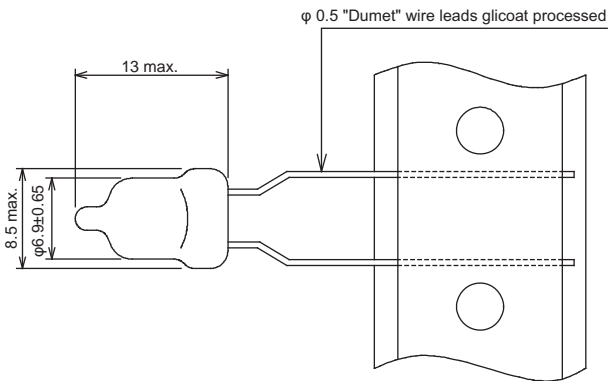


Unit: mm

Description	Symbol	Dimension	
		RA-MX-V7-Y(SJQ)	
Height	L	13.0 max.	
Lamp Diameter	A	φ 6.9±0.65	
Lead Diameter	d	φ 0.5±0.05	
Width between leads	∅	4.0 min.	
Product height from board	L ₁	18.0 max.	
Lamp pitch	P	15.0±1.0	12.7±1.0
Hole pitch	P ₀	15.0±0.3	12.7±0.3
Hole position	P ₁	3.75±0.7	3.85±0.7
	P ₂	7.5±1.3	6.35±1.3
Pitch between leads	F	7.5±0.5	5.0 ^{+0.6} _{-0.2}
Declining	Δh	±2.0	
Paper width	W	18.0±0.5	
Hole position	W ₁	9.0±0.5	
Lead clinch height	H ₀	16.0±0.5	
Product height	H ₁	(34.5)	
Hole diameter	D ₀	φ 4.0±0.2	
Paper thickness	t	0.9 max.	

● Forming Dimensions

RA-MX-V7-Y(SJQ)

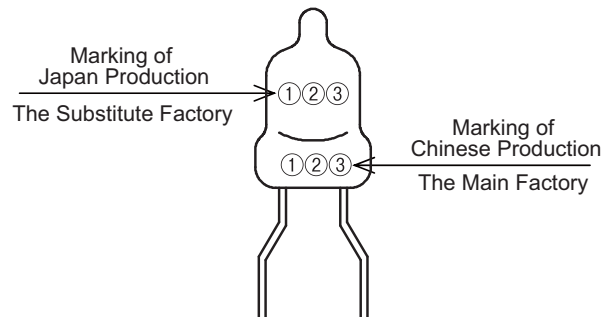


Unit: mm

● Packing Quantity per Carton

RA-MX-V7-Y(SJQ) Series: 1,500 pcs/1 carton

● Packing Description of Marking



①.....DC Sparkover Voltage

DC Sparkover voltage brevity code	402(SJQ)	452(SJQ)
Code	X	Z

②.....The year manufactured eg.(2013→3

③.....The month manufactured (see below)

Month	1	2	3	4	5	6	7	8	9	10	11	12
Symbol	A	B	D	E	F	G	H	J	K	L	M	N