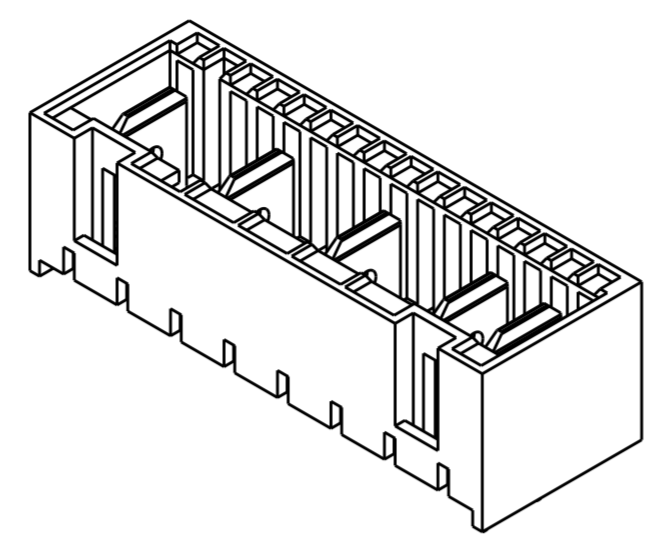
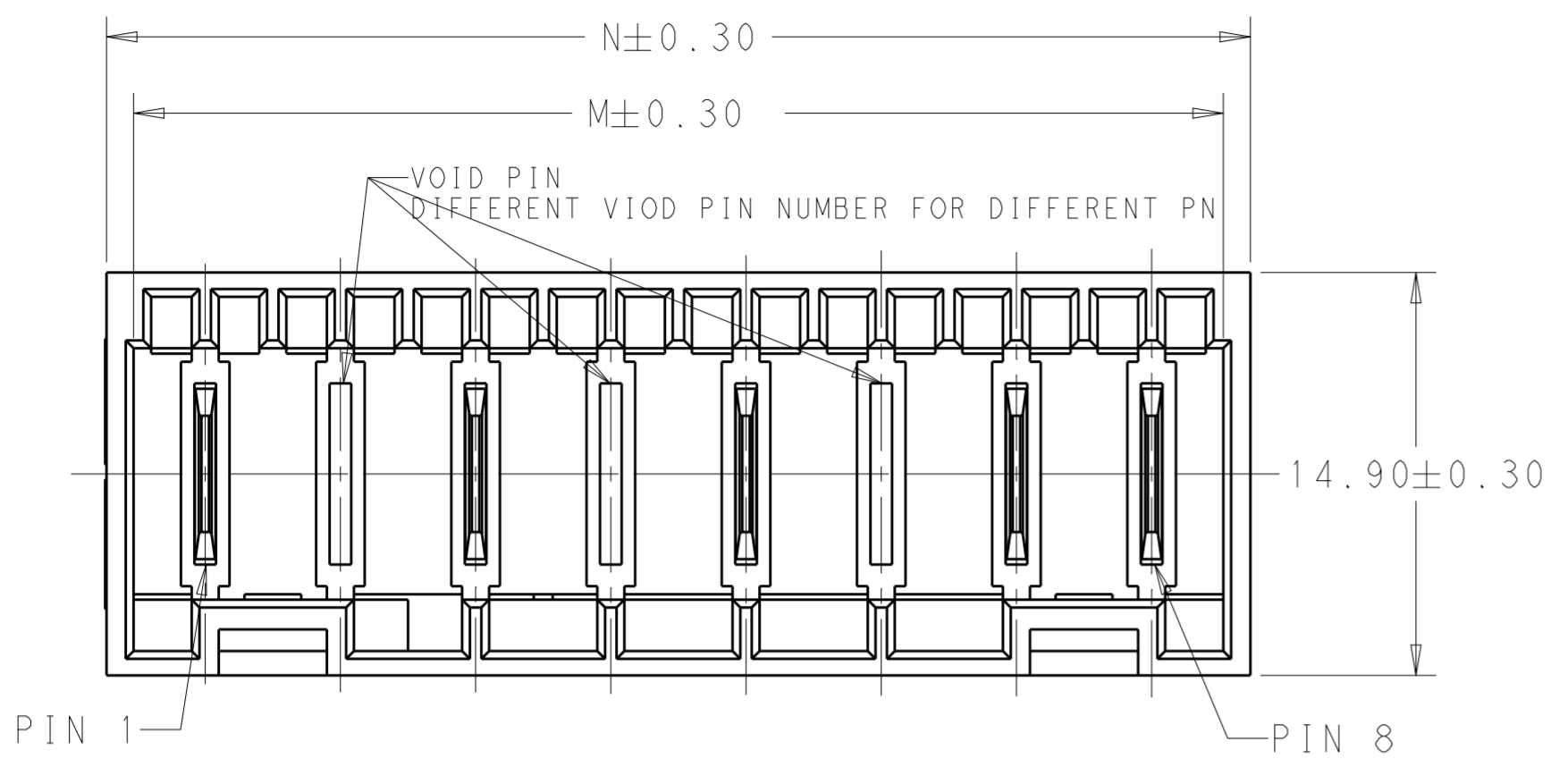
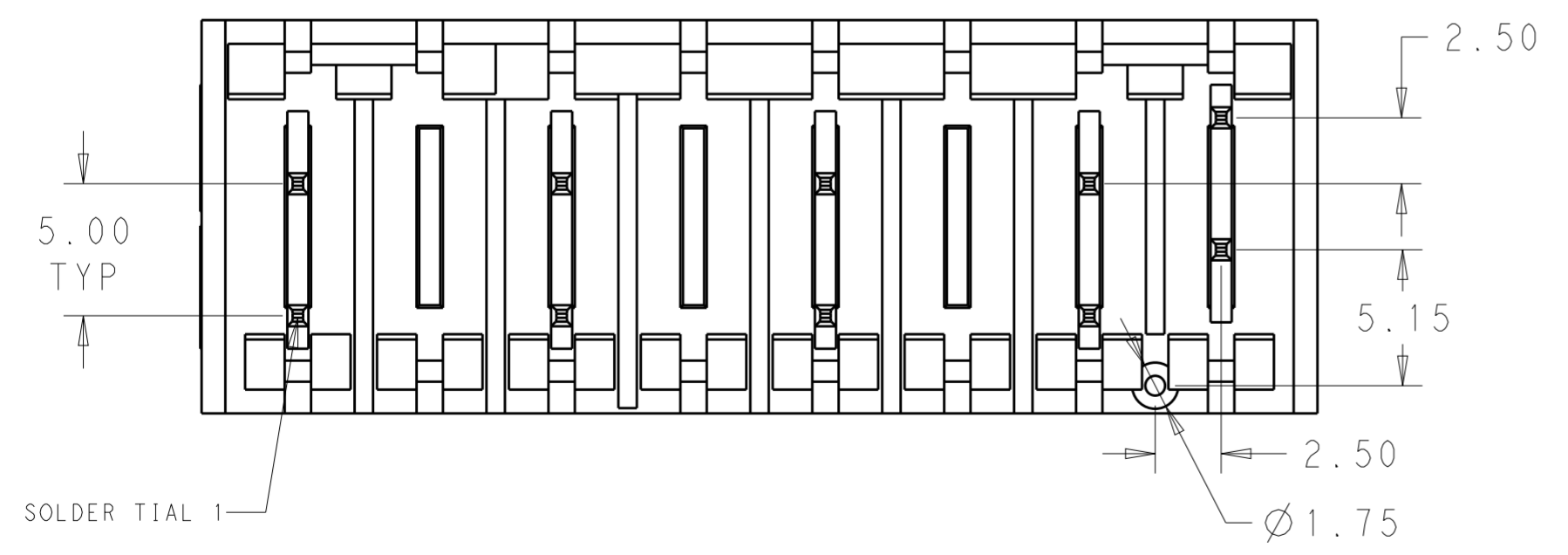
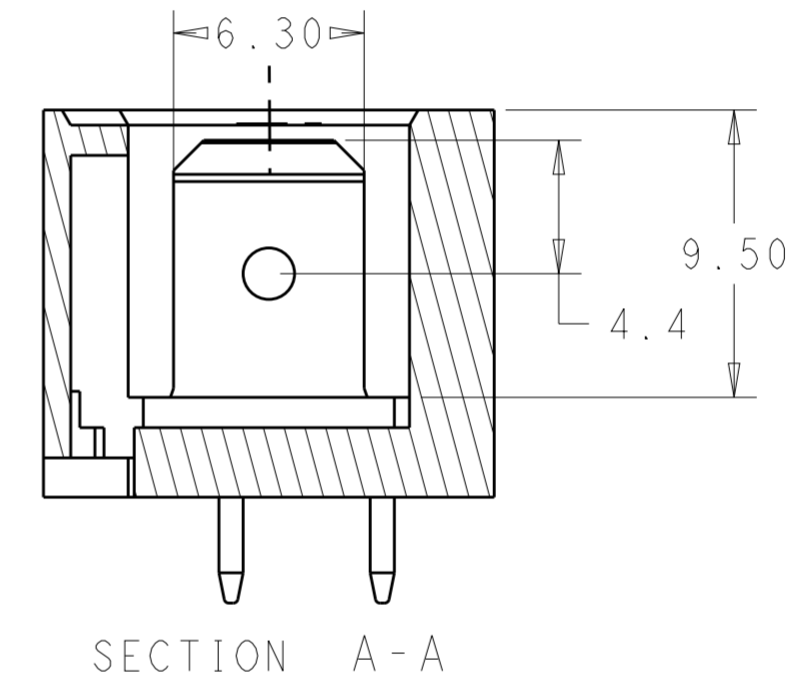
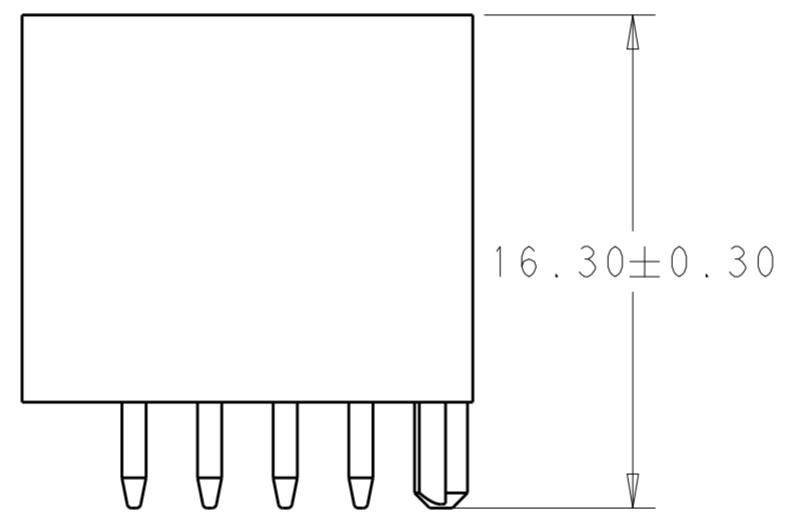
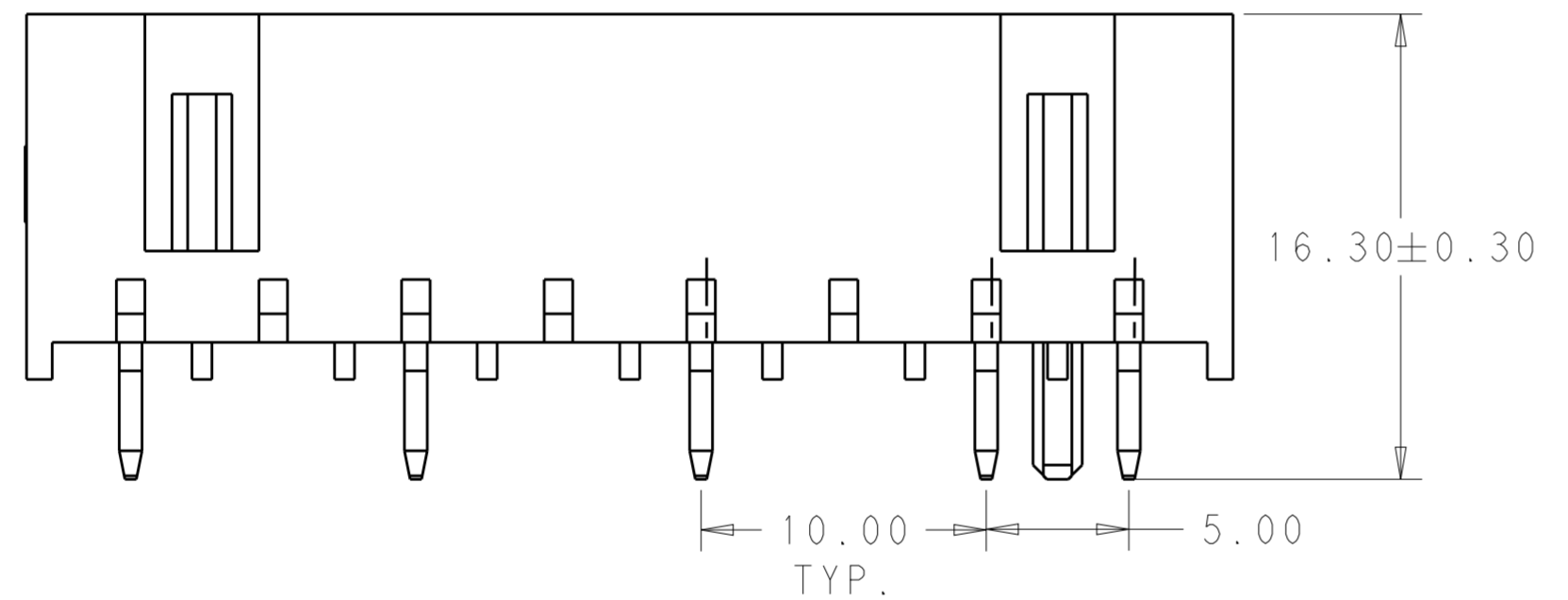


THIS DRAWING IS UNPUBLISHED. RELEASED FOR PUBLICATION 20
 © COPYRIGHT 20 BY - ALL RIGHT REVERSED ALL RIGHTS RESERVED.

LOC		DIST		REVISIONS			
P	LTR	DESCRIPTION	DATE	DWN	APVD		
A5		REVISE PER ECR-15-002173	10FEB2015	WW	RR		
A6		ECR-15-007417	14MAY2015	SS	RR		
A7		ECR-16-001051	1MAR2016	SL	RR		



- HOUSING HAS RAST 5 COMPLIANT KEYING LATCHING, AND POLARIZATION, TAB IS 6.30 x 0.8mm ACCORDING TO DIN 46224;
 - MATERIAL: HOUSING NYLON, UL94 V0, 750 °C GWT NO FLAME;
 - FINISH: CONTACTS, TIN PLATING OVERALL, NICKEL UNDER-PLATING;
 - PACKING: LOOSE PIECE OR TUBE. THE PART NUMBER IN THIS DRAWING ARE WITH LOOSE PIECE PACKING. PLEASE CONTACT TE SALES REPRESENTATIVES FOR TUBE PACKING REQUIREMENT.
- 5 PRELIMINARY, NOT FOR PRODUCTION.
- 6 MATERIAL: HOUSING PA66, UL94 V0
 PRODUCT COMPLY WITH GLOW WIRE REQUIREMENTS FOR PARTS OF NON-METALLIC MATERIAL SUPPORTING A CURRENT-CARRYING CONNECTION DETAILED IN IEC 60335-1, SECTION 30 (GWT).



42.30	40.30	8
37.30	35.30	7
32.30	30.30	6
27.30	25.30	5
22.30	20.30	4
17.30	15.30	3
12.30	10.30	2
N	M	NO.OF POS.

THIS DRAWING IS A CONTROLLED DOCUMENT.

DWN	B.P	APR162013
CHK	F.M	APR162013
APVD		APR162013
PRODUCT SPEC		
108-106080		
APPLICATION SPEC		
-		
WEIGHT		
-		
CUSTOMER DRAWING		

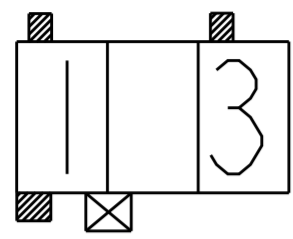
TE Connectivity

RAST 5 TAB HEADER ASSY
 DIN STYLE, TH, VERTICAL

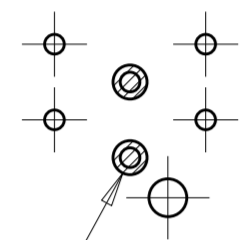
SIZE	CAGE CODE	DRAWING NO	RESTRICTED TO
A2	00779	C-2232511	-
SCALE	N/A	SHEET 1 OF 2	REV A7

THIS DRAWING IS UNPUBLISHED. RELEASED FOR PUBLICATION 20
 © COPYRIGHT 20 BY - ALL RIGHT REVERSED ALL RIGHTS RESERVED.

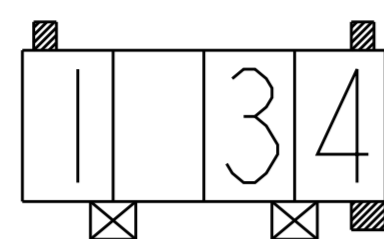
LOC		DIST		REVISIONS			
P	LTR	DESCRIPTION	DATE	DWN	APVD		
-	-	SEE SHEET 1	-	-	-		



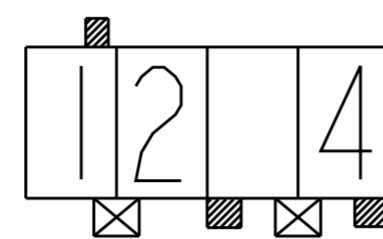
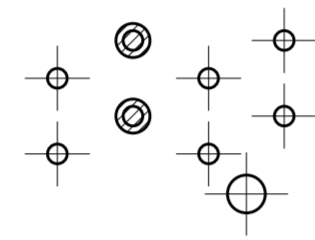
2232511-3
 1-2232511-3 $\Delta_6 \Delta_5$
 3 POS.



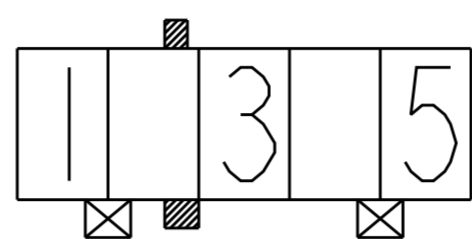
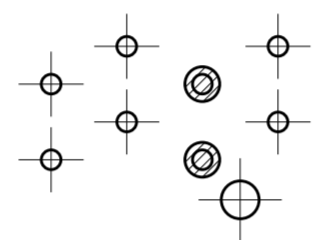
VOID PIN



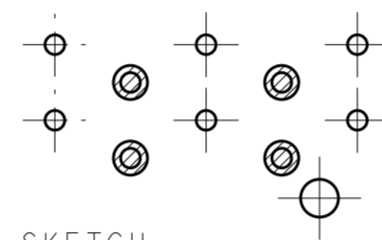
2232511-4
 4 POS.



1-2232511-4
 4 POS.



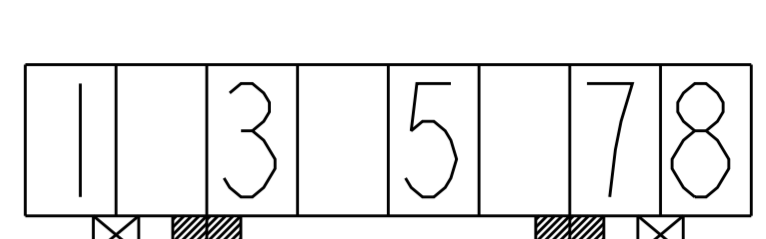
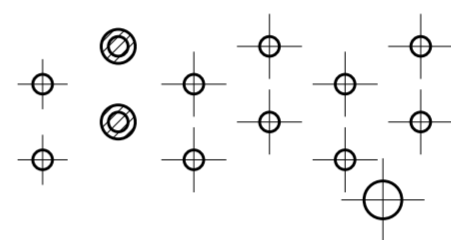
2232511-5
 1-2232511-5 $\Delta_6 \Delta_5$
 5 POS.



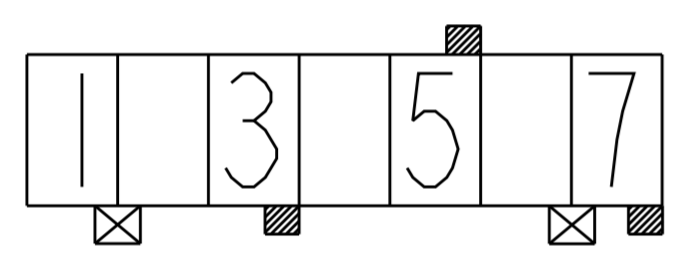
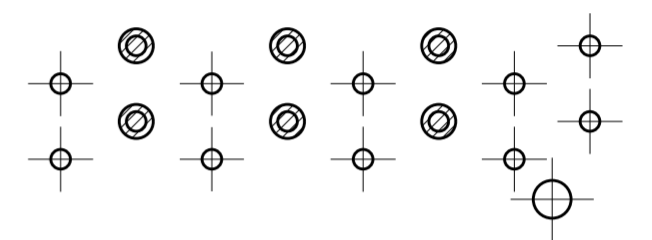
PCB LAYOUT SKETCH
 SOLDER SIDE



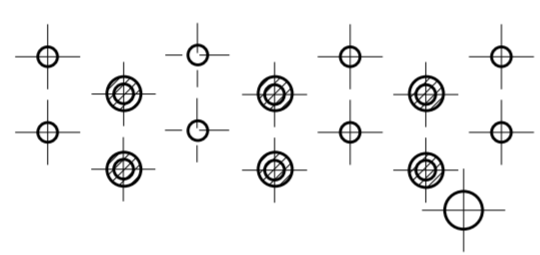
2232511-6
 6 POS.



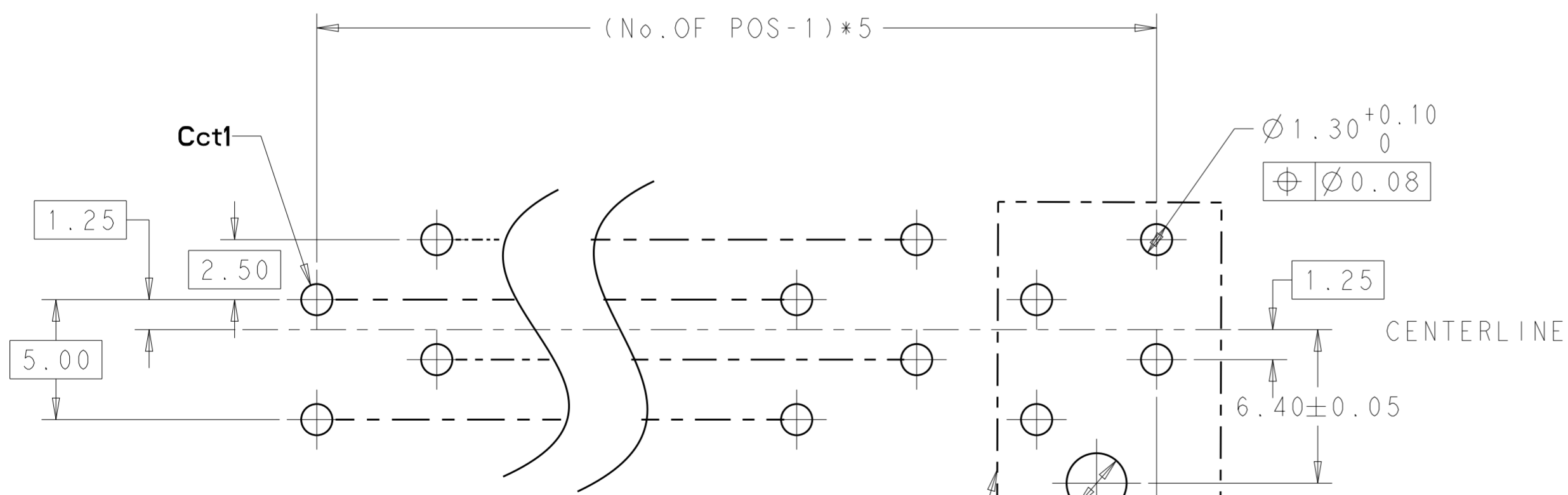
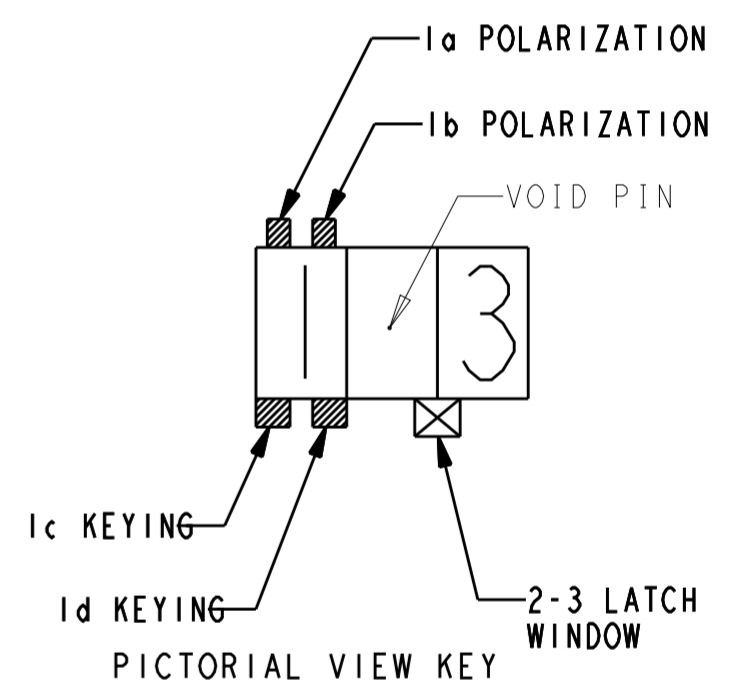
2232511-8
 8 POS.



2232511-7
 1-2232511-7 $\Delta_6 \Delta_5$
 7 POS.



PCB LAYOUT SKETCH
 SOLDER SIDE



THE POSITION OF THE 4 PIN TAIL HOLE AND POST ARE FIXED

$\phi 2.50 \pm 0.05$
 HOLE FOR POLARIZING PEG

RECOMMEND PCB LAYOUT - SOLDER SIDE
 PCB 1.5 ± 0.2 THICK

NATURE	NO. OF POS.	PART NUMBER
	8	2232511-8
	7	1-2232511-7 $\Delta_5 \Delta_6$
	7	2232511-7
	6	2232511-6
	5	1-2232511-5 $\Delta_5 \Delta_6$
	5	2232511-5
	4	1-2232511-4 Δ_5
	4	2232511-4 Δ_5
	3	1-2232511-3 $\Delta_5 \Delta_6$
	3	2232511-3

THIS DRAWING IS A CONTROLLED DOCUMENT.

DWN	B.P	APR162013
CHK	-	24SEP2013
APVD	-	24SEP2013

PRODUCT SPEC: 108-106080
 APPLICATION SPEC: -
 MATERIAL: -
 WEIGHT: -
 CUSTOMER DRAWING

STE TE Connectivity

NAME: RAST 5 TAB HEADER ASSY
 DIN STYLE, TH, VERTICAL

SIZE: A2 CAGE CODE: 00779 DRAWING NO: C-2232511 RESTRICTED TO: -
 SCALE: N/A SHEET 2 OF 2 REV A7