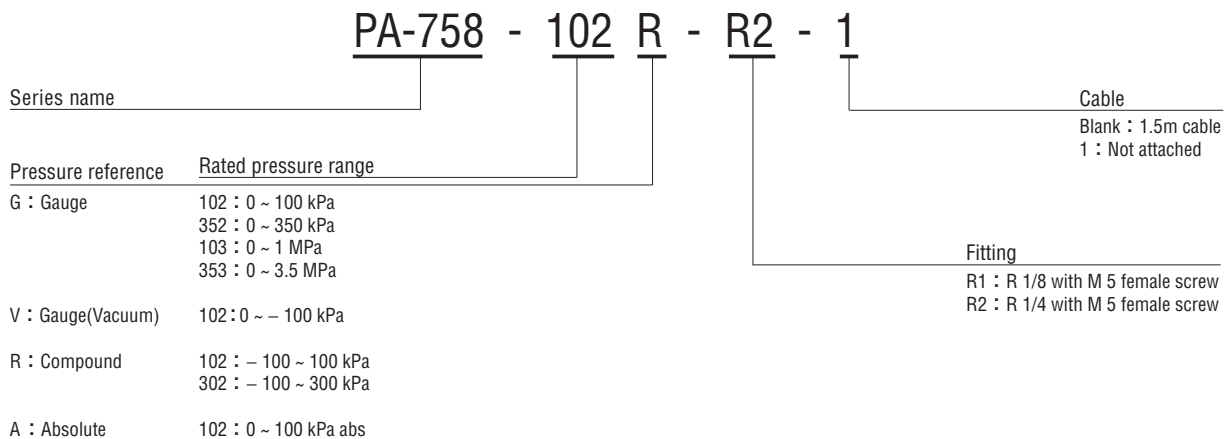


Part name		Material
①	Fitting	SUS 304
②	Housing	PPS
③	Stainless steel diaphragm	SUS 316L

## FEATURES

- High corrosion resistance and drip-proof construction  
Pressure port attachment made of SUS 316L  
Proven IP65 grade gauge body (IP-65 in accordance with IEC)
- Cable connector connection
- Built-in temperature compensation function (0 ~ 50°C)
- Absolute pressure type and compound pressure type  
which can control negative to positive pressure with only  
a single pressure gauge are all in line
- Current output mode

## MODEL NUMBER DESIGNATION



※ Please refer to the LIST OF MODEL NUMBERS when placing orders.

# PA-758

## PRESSURE TRANSDUCERS WITH AMP.

### LIST OF MODEL NUMBERS

Fitting	Pressure reference		Gauge						Absolute
	Cable	kPa Rated pressure range	0 ~ 100	0 ~ 350	0 ~ 1000	0 ~ 3500	0 ~ - 100	- 100 ~ 100	- 100 ~ 300
R1	Attached	PA-758- ↻ 102G-R1	PA-758- ↻ 352G-R1	PA-758- 103G-R1	PA-758- 353G-R1	PA-758- ↻ 102V-R1	PA-758- 102R-R1	PA-758- 302R-R1	PA-758- 102A-R1
	Not attached	PA-758- ↻ 102G-R1-1	PA-758- ↻ 352G-R1-1	PA-758- 103G-R1-1	PA-758- 353G-R1-1	PA-758- ↻ 102V-R1-1	PA-758- 102R-R1-1	PA-758- 302R-R1-1	PA-758- 102A-R1-1
R2	Attached	PA-758- ↻ 102G-R2	PA-758- ↻ 352G-R2	PA-758- 103G-R2	PA-758- 353G-R2	PA-758- ↻ 102V-R2	PA-758- 102R-R2	PA-758- 302R-R2	PA-758- 102A-R2
	Not attached	PA-758- ↻ 102G-R2-1	PA-758- ↻ 352G-R2-1	PA-758- 103G-R2-1	PA-758- 353G-R2-1	PA-758- ↻ 102V-R2-1	PA-758- 102R-R2-1	PA-758- 302R-R2-1	PA-758- 102A-R2-1

※Verify the above model numbers when placing orders.  
The products marked ↻ are manufactured upon receipt of order basis.

### STANDARD SPECIFICATIONS

●Unless otherwise specified, the specs are defined at an ambient temperature of 25 ± 5 °C and excitation voltage of 24 V DC, load resistance of 250 Ω.

Item	Model number	PA-758								
		102G	352G	103G	353G	102V	102R	302R	102A	
General specifications	Pressure reference	Gauge								Absolute
	Rated pressure range	kPa	100	350	1000	3500	- 100	- 100 ~ 100	- 100 ~ 300	100 (abs)
	Maximum pressure	kPa	200	700	2000	5000	200	200	600	200 (abs)
	Break-down pressure	kPa	300	1050	3000	7000	300	300	900	300 (abs)
	Operating temp. range	°C	- 20 ~ 70							
	Compensated temp. range	°C	0 ~ 50							
	Operating humidity	%RH	35 ~ 85 (No condensation)							
	Storage temp.	°C	- 20 ~ 80 (Atmospheric pressure, humidity 65 %RH maximum)							
	Pressure medium		Corrosive gases/liquids compatible with SUS 316L or SUS304							
	Insulation resistance	MΩ minimum	100 (500 V DC)							
	Dielectric strength		500 V AC, 60 s (Leakage current 1 mA maximum)							
	Sealed liquid		Silicone oil							
	Pressure port		R 1/8、R 1/4							
	Net weight	g	R2 : Approx. 50							
Drip-proof structure		IP65								
Power	Supply voltage	V DC	24 ± 10 % (Including ripple percentage)							

# PA-758

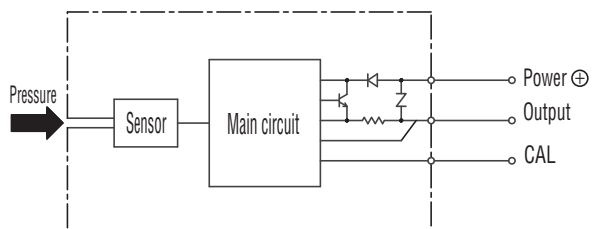
## PRESSURE TRANSDUCERS WITH AMP.

Item		Model number	PA-758							
			102G	352G	103G	353G	102V	102R	302R	102A
Analog output	Output current	mA	4 ~ 20 mA							
	Zero current	mA (at 25 °C)	4 ± 0.2				12 ± 0.2		8 ± 0.2	4 ± 0.2
	Span current	mA (at 25 °C)	16 ± 0.2							
	Load resistance		0 ~ 500 Ω							
	Linearity/Hysteresis	%F.S.	± 0.5							
	Thermal error	ZERO %F.S./°C	± 0.05							
		SPAN %F.S./°C	± 0.05							
	Response	ms	Approx. 2							
	resolving power		Approx. 0.016 mA (Approx. 0.1%F.S.)							
Gravitational effect (From horizontal position to vertical position)	%F.S.	± 0.3	± 0.1	± 0.05		± 0.3		± 0.1	± 0.3	

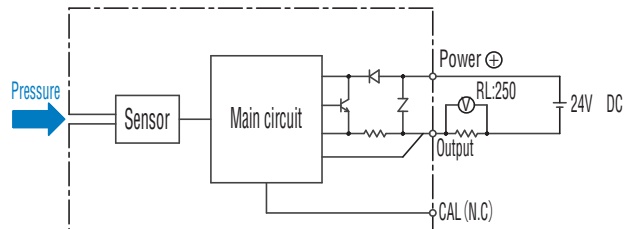
### ENVIRONMENTAL CHARACTERISTICS

Test item	Test conditions (At 25 ± 5 °C)	Permissible change
Vibration	10 ~ 500 Hz, 1.5 mm maximum/98.1 m/s <sup>2</sup> , 3 directions for 2 hours each	Zero current, Span current: ± 1 %F.S. maximum each
Shock	490 m/s <sup>2</sup> 3 directions for 3 times each	
Pressure cycling	0 ~ Rated pressure/Rated pressure range, 10 <sup>6</sup> cycles	
Moisture resistance	40 °C, 90 ~ 95 %RH, 240 hrs.	

### INTERNAL ELECTRICAL SCHEMATICS



### RECOMMENDED EXTERNAL SCHEMATICS



※Do not wire the CAL connection.  
It may cause malfunction when voltage is applied.

\*\*...Calibration

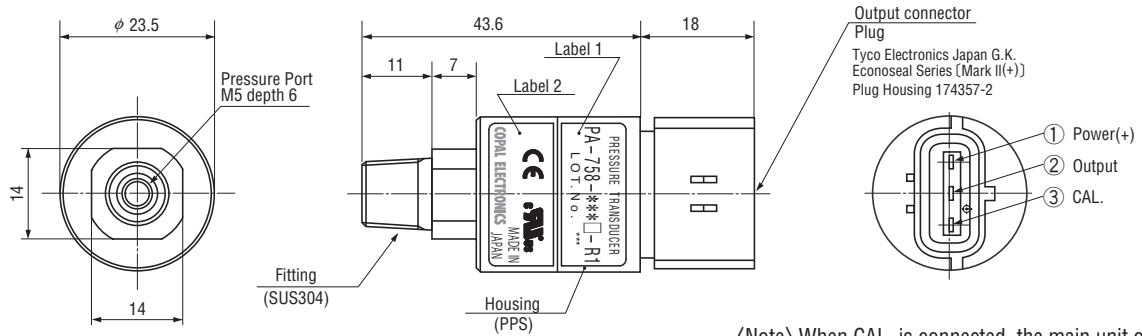
# PA-758

## PRESSURE TRANSDUCERS WITH AMP.

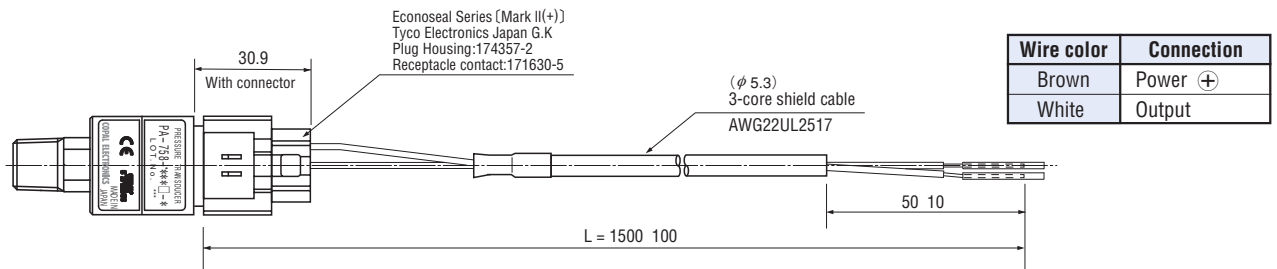
### OUTLINE DIMENSIONS

Unless otherwise specified, tolerance : 0.5 (Unit: mm)

#### Configurations of joint R1 (R1/8) type

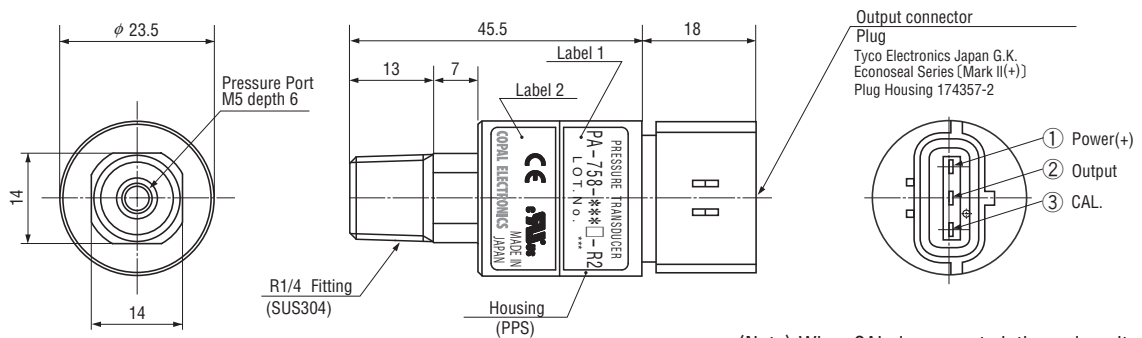


<Note> When CAL. is connected, the main unit of the sensor might malfunction or be damaged.



Wire color	Connection
Brown	Power ⊕
White	Output

#### Configurations of joint R2 (R1/4) type



<Note> When CAL. is connected, the main unit of the sensor might malfunction or be damaged.