

GaN UV Sensors KPDU37S1-B1

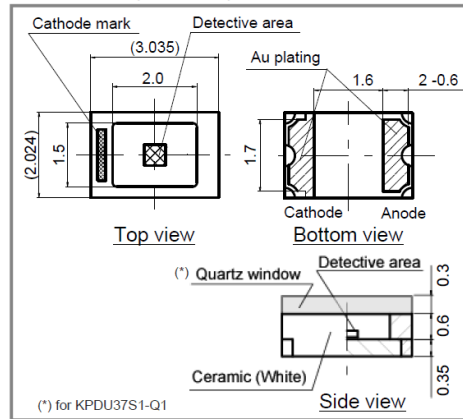
Features

- Sensitivity covering UV-A radiation
- SMD type package
- Windowless package

Applications

- UV source monitors
- UV-A sensors
- UV-A exposure meters

Dimensions (unit: mm)



Specifications

Absolute Maximum Ratings

Parameter	Symbol	Value	Unit	Conditions
Reverse voltage	V_R	1	V	
Operating temperature	T_{opr}	-40 to +80		Avoid dew condensation
Storage temperature	T_{stg}	-40 to +85		Avoid dew condensation
Soldering temperature	T_{sol}	260		Soldering time less than 5 seconds

Electrical and Optical characteristics

Parameter	Symbol	Value			Unit	Conditions
		Min.	Typ.	Max		
Sensitive size	S		0.08		mm ²	
Sensitive wavelength			360-400		nm	
Responsivity	R		0.09		A/W	$V_R=0V, \lambda = p$
Dark current	I_D		1	10	nA	$V_R=1V$
Terminal capacitance	C_t		75		pF	$V_R=0V, f=1MHz$
Half angle	2		100		deg	

Spectral Responsivity

