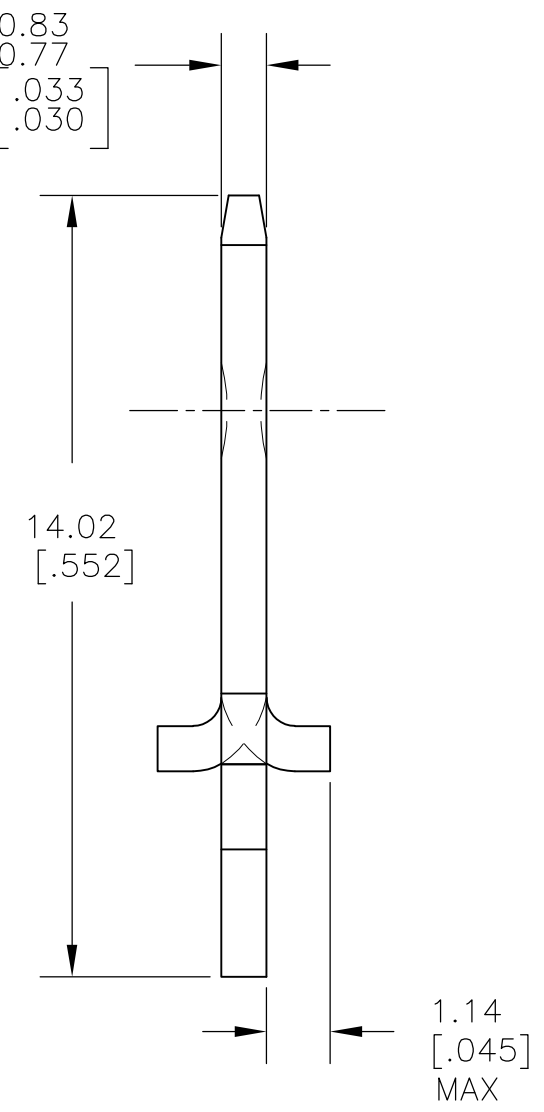
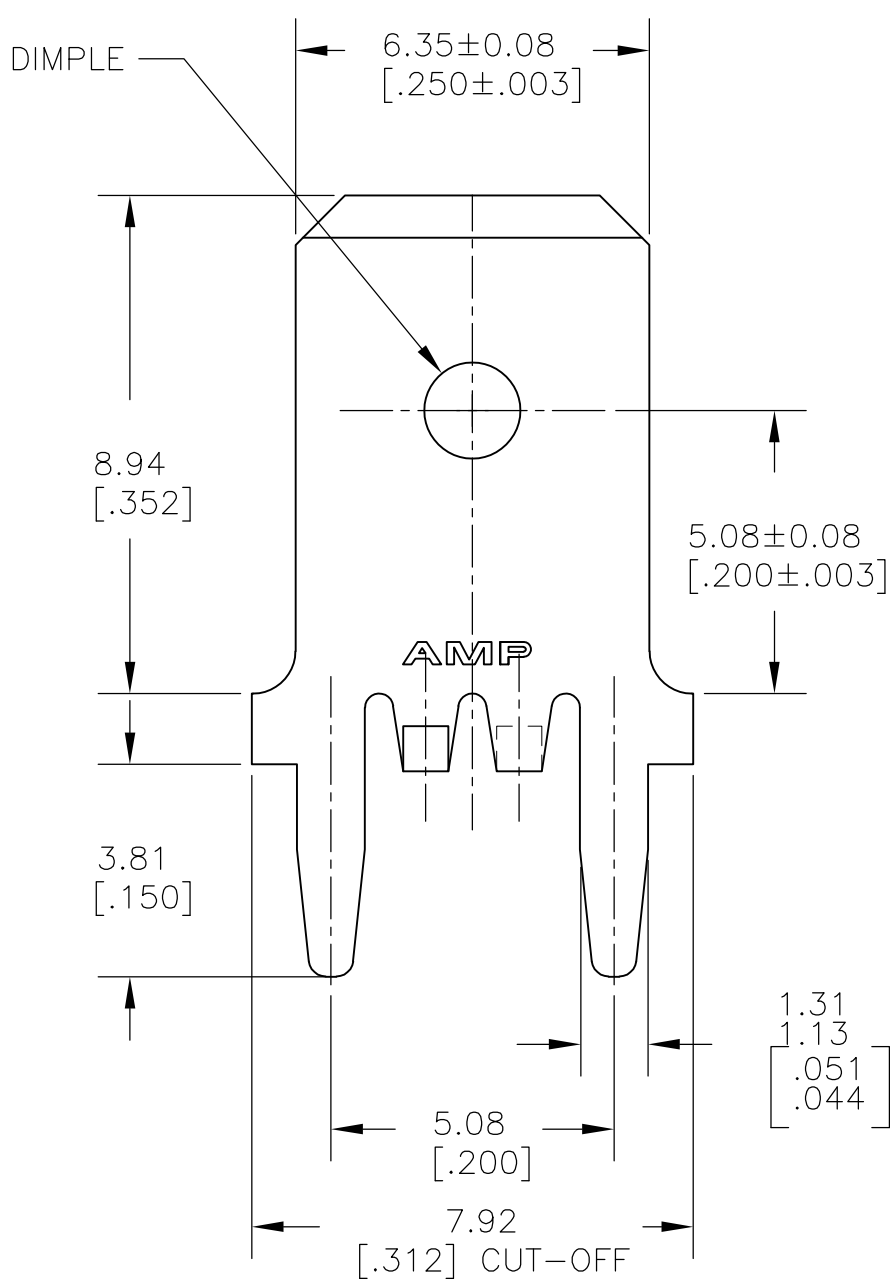
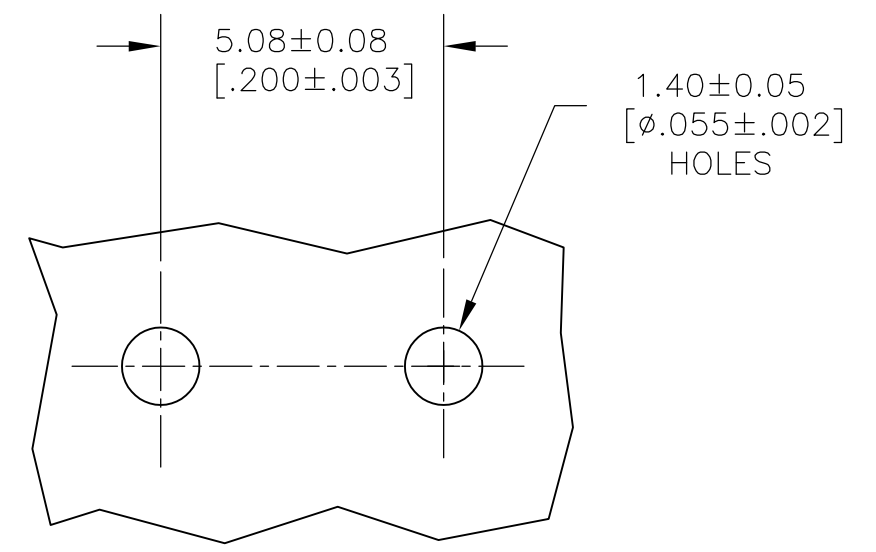


LOC	DIST	REVISIONS					
AF	50	P	LTR	DESCRIPTION	DATE	DWN	APVD
		G		REVISED PER ECR-13-001204	03JUL13	KH	PD



- 1 CONTINUOUS STRIP ON REELS.
- 2 TIN PLATE 0.00381 [.000150] MIN OVER 0.00254 [.000100] MIN THK COPPER.



P.C. BOARD HOLE PATTERN

1217861-1
PART NO.

THIS DRAWING IS A CONTROLLED DOCUMENT.		DWN JR RUTH 24JUL02	TE Connectivity NAME TAB, FASTON, P.C.BOARD 6.35 [.250]			
DIMENSIONS: mm [INCHES]		CHK MS FEHER 24JUL02				
TOLERANCES UNLESS OTHERWISE SPECIFIED:		APVD N DEIBERT 24JUL02				
0 PLC ± - 1 PLC ± - 2 PLC ± 0.25 [.010] 3 PLC ± - 4 PLC ± - ANGLES ± -		PRODUCT SPEC -				
MATERIAL BRASS	FINISH 2	APPLICATION SPEC 114-2115	SIZE A3	CAGE CODE 00779	DRAWING NO C-1217861	RESTRICTED TO -
CUSTOMER DRAWING			SCALE 8:1	SHEET 1 OF 1	REV G	