

# iC-LSHC

## 3-CHANNEL SIN/COS PHOTODIODE ARRAY

preliminary



Rev C3, Page 1/9

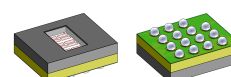
### FEATURES

- Monolithic array of independent photodiodes with excellent matching
- Compact photodiode size of  $800\ \mu\text{m} \times 330\ \mu\text{m}$  enabling smaller encoder systems
- Moderate alignment tolerance due to a track pitch of 1.08 mm
- Ultra low dark currents for operation to high temperature
- Low noise amplifiers with high transimpedance of typ.  $1\ \text{M}\Omega$
- Short-circuit-proof, low impedance voltage outputs for enhanced EMI tolerance
- Low power consumption from single 5 V supply
- Operational temperature range of  $-40\ ^\circ\text{C}$  to  $+110\ ^\circ\text{C}$  (optional  $+125\ ^\circ\text{C}$ )
- Space saving optoBGA and optoQFN package (RoHS compliant)
- Available options
  - reticle assembly, code discs
  - customized COB modules

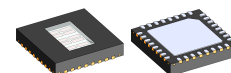
### APPLICATIONS

- Optical position encoding from analog sine/cosine signals
- Incremental encoders with interpolation
- Absolute position encoders using nonius scales

### PACKAGES

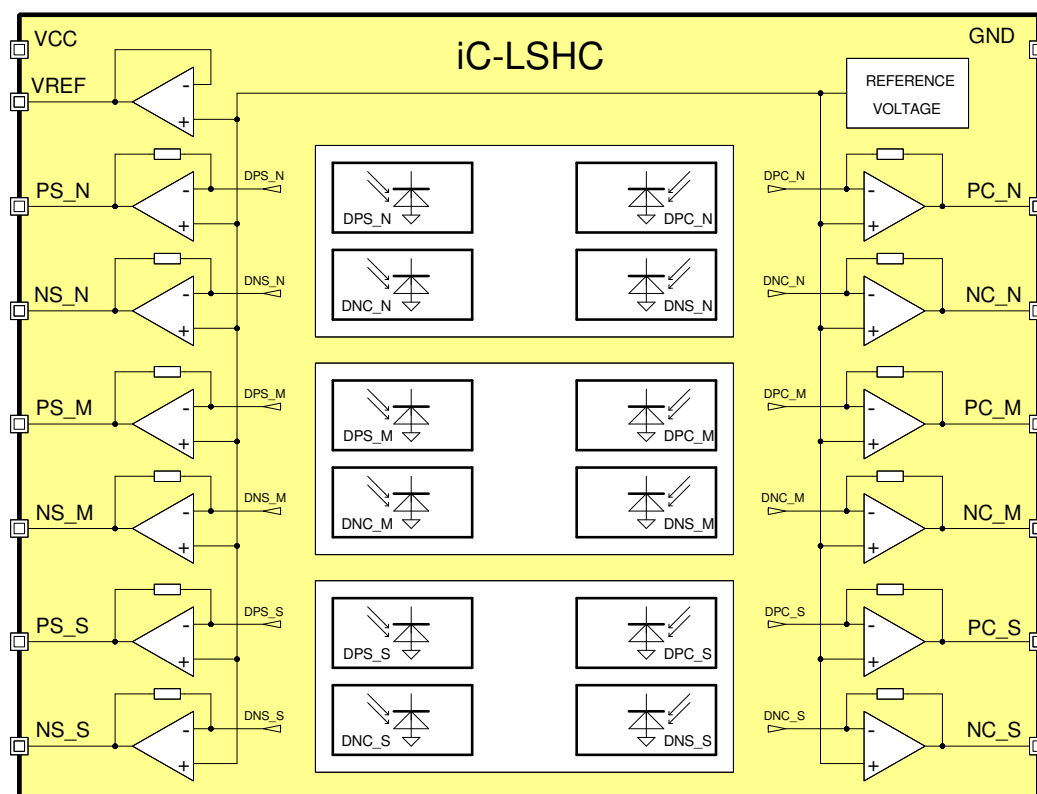


15-pin optoBGA  
6.2 mm x 5.2 mm



32-pin optoQFN  
5 mm x 5 mm x 0.9 mm

### BLOCK DIAGRAM



# iC-LSHC

## 3-CHANNEL SIN/COS PHOTODIODE ARRAY



Rev C3, Page 2/9

### DESCRIPTION

The iC-LSHC photodiode is a general purpose optoelectronic scanner made to suit a variety of encoding applications, such as rotary and linear encoders used for motion control, robotics, brushless DC motor commutation, power tools etc.

iC-LSHC features 12 monolithically integrated photodiodes with active areas of  $800\ \mu\text{m} \times 330\ \mu\text{m}$  each. A high transimpedance gain of typically  $1\ \text{M}\Omega$  generates output signals of a few hundred Millivolts already from illumination levels of typ.  $1.7\ \text{mW}/\text{cm}^2$ . In most cases no additional measures must be considered to filter for noise and interferences.

Sine/cosine encoders are the typical application for iC-LSHC. Its 3-track scanning features a set of 4 pho-

tosensors each per track, generating positive and negative going sine signals, as well as positive and negative going cosine signals. An excellent matching and common mode behavior of the differential signal paths is obtained by a paired amplifier design, reducing the needs for external signal calibration to an absolute minimum.

The spectral sensitivity range includes visible to near infrared light, with the maximum sensitivity being close to a wavelength of 680 nm. When using iC-LSHC for encoder applications with typical disc and mask codes, a signal amplitude of approximately some 100 mV is typical under low light conditions, for instance when iC-LSHC is illuminated at only  $3.0\ \text{mW}/\text{cm}^2$  by a 740 nm LED.

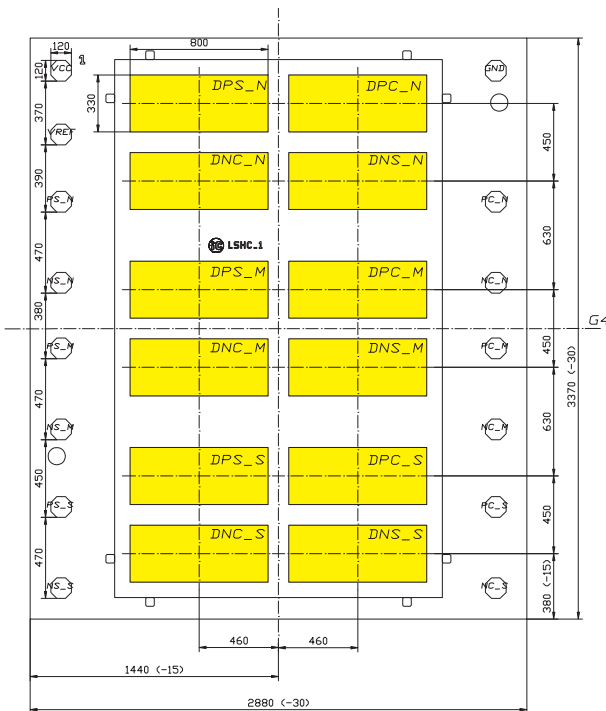
### PACKAGING INFORMATION

#### PAD LAYOUT

#### PAD FUNCTIONS

No. Name Function

See pin configuration.



# iC-LSHC

## 3-CHANNEL SIN/COS PHOTSENSOR ARRAY

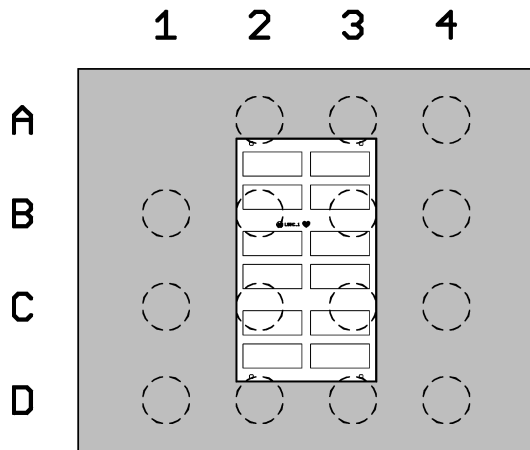
preliminary



Rev C3, Page 3/9

### PIN CONFIGURATION

oBGA LSH2C (6.2 mm x 5.2 mm)



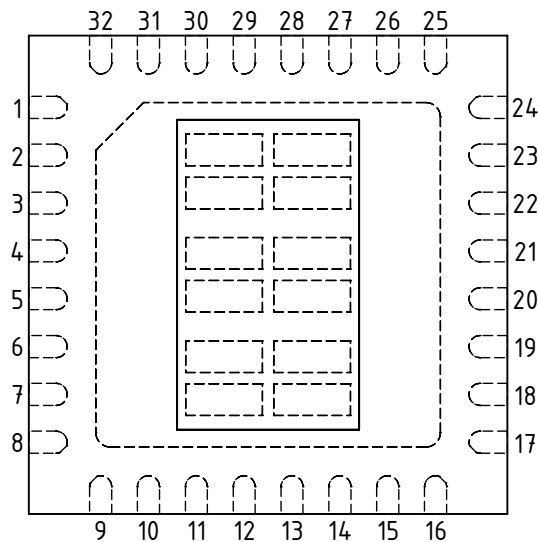
### PIN FUNCTIONS

No. Name Function

A2	VCC	+4.5...5.5 V	Supply Voltage
A3	VREF		Reference Voltage Output
A4	GND		Ground
B1	PS_N		N-Track Sine +
B2	NS_N		N-Track Sine -
B3	NC_N		N-Track Cosine -
B4	PC_N		N-Track Cosine +
C1	PS_M		M-Track Sine +
C2	NS_M		M-Track Sine -
C3	NC_M		M-Track Cosine -
C4	PC_M		M-Track Cosine +
D1	PS_S		S-Track Sine +
D2	NS_S		S-Track Sine -
D3	NC_S		S-Track Cosine -
D4	PC_S		S-Track Cosine +

NB: All outputs supply analog voltages.

### PIN CONFIGURATION



### PIN FUNCTIONS

No. Name Function

1	VCC	+4.5...5.5 V	Supply Voltage
2	VREF		Reference Voltage Output
3	PS_N		N-Track Sine +
4	NS_N		N-Track Sine -
5	PS_M		M-Track Sine +
6	NS_M		M-Track Sine -
7	PS_S		S-Track Sine +
8	NS_S		S-Track Sine -
9-16	n.c.		
17	NC_S		S-Track Cosine -
18	PC_S		S-Track Cosine +
19	NC_M		M-Track Cosine -
20	PC_M		M-Track Cosine +
21	NC_N		N-Track Cosine -
22	PC_N		N-Track Cosine +
23	n.c.		
24	GND		Ground
25-32	n.c.		

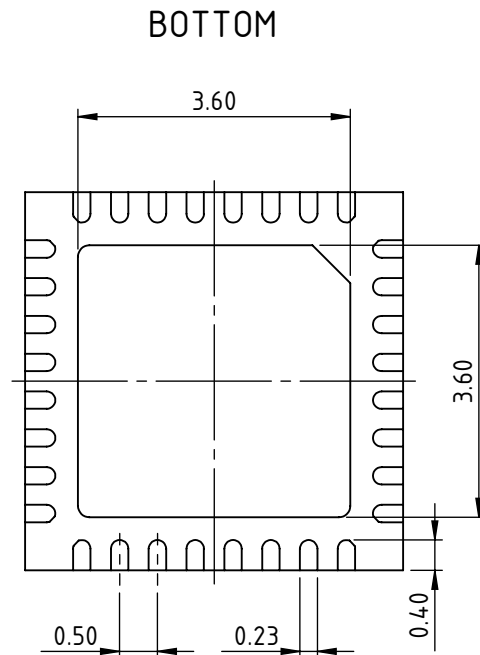
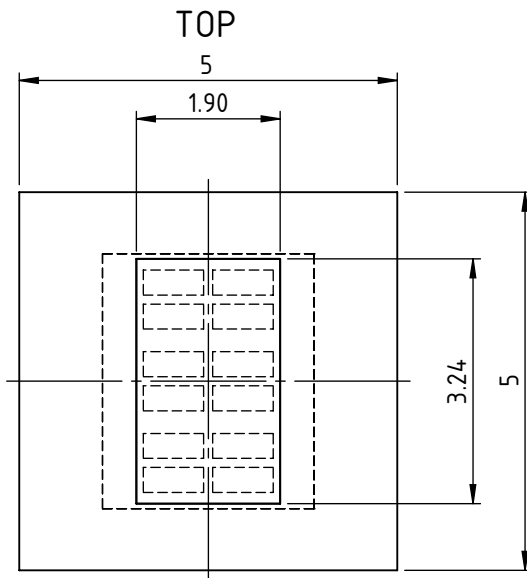
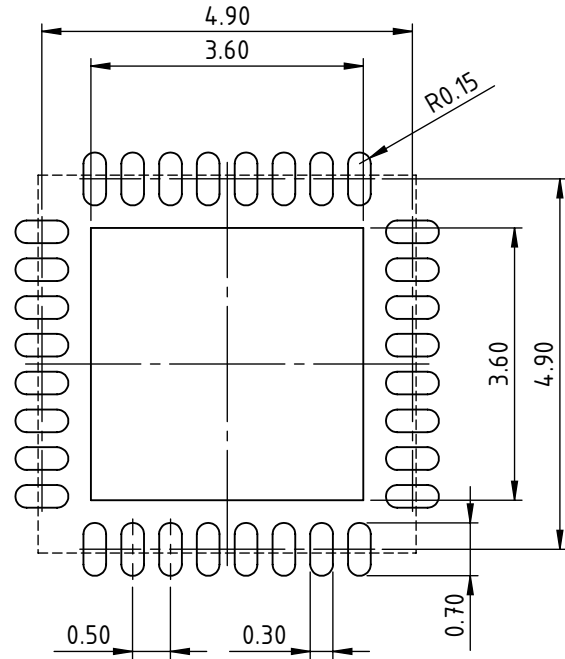
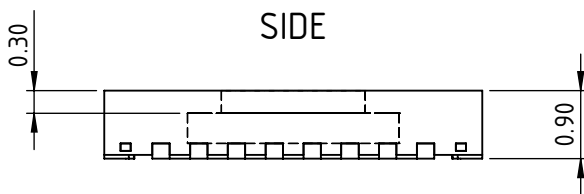
NB: All outputs supply analog voltages.

Pin numbers marked n.c. are not in use. The backside paddle is not intended as an electrical connection point; when used as shield a single link to GND is permissible.

### PACKAGE DIMENSIONS

All dimensions given in mm.

### RECOMMENDED PCB-FOOTPRINT



dra\_lshc-qqfn32-2\_pack\_1, 10:1

# iC-LSHC

## 3-CHANNEL SIN/COS PHOTODIODE ARRAY

preliminary



Rev C3, Page 5/9

### ABSOLUTE MAXIMUM RATINGS

These ratings do not imply operating conditions; functional operation is not guaranteed. Beyond these ratings device damage may occur.

Item No.	Symbol	Parameter	Conditions	Limits		Unit
				Min.	Max.	
G001	VCC	Voltage at VCC		-0.3	6	V
G002	I(VCC)	Current in VCC		-20	20	mA
G003	V()	Pin Voltage, all signal outputs		-0.3	VCC + 0.3	V
G004	I()	Pin Current, all signal outputs		-20	20	mA
G005	Vd()	ESD Susceptibility, all pins	HBM, 100 pF discharged through 1.5 k $\Omega$		2	kV
G006	T <sub>J</sub>	Junction Temperature		-40	150	°C
G007	T <sub>s</sub>	Chip Storage Temperature Range		-40	150	°C

### THERMAL DATA

Item No.	Symbol	Parameter	Conditions	Min.	Typ.	Max.	Unit
T01	T <sub>a</sub>	Operating Ambient Temperature Range	package oBGA LSH2C, oQFN32-5x5 (extended temperature range on request)	-40		110	°C
T02	T <sub>s</sub>	Storage Temperature Range	package oBGA LSH2C	-40		110	°C
T03	T <sub>pk</sub>	Soldering Peak Temperature	package oBGA LSH2C  tpk < 20 s, convection reflow tpk < 20 s, vapor phase soldering  TOL (time on label) 8 h; Please refer to customer information file No. 7 for details.			245 230	°C °C
T04	T <sub>pk</sub>	Soldering Peak Temperature	package oQFN32-5x5;  tpk < 20 s, convection reflow tpk < 20 s, vapor phase soldering  MSL 5A (max. floor life 24 h at 30 °C and 60 % RH); Please refer to customer information file No. 7 for details.			245 230	°C °C

All voltages are referenced to ground unless otherwise stated.

All currents flowing into the device pins are positive; all currents flowing out of the device pins are negative.

**ELECTRICAL CHARACTERISTICS**

Operating conditions: VCC = 4.5...5.5 V, Tj = -40...125 °C, unless otherwise stated

Item No.	Symbol	Parameter	Conditions				Unit
				Min.	Typ.	Max.	
<b>Total Device</b>							
001	VCC	Permissible Supply Voltage		4.5		5.5	V
002	I(VCC)	Supply Current in VCC	no output load, photocurrents within linear operating range (no override)		9.5	15	mA
003	Vc()hi	Clamp-Voltage hi at all pins	I() = 4 mA			11	V
004	Vc()lo	Clamp-Voltage lo at all pins	I() = -4 mA	-1.2		-0.3	V
<b>Photosensors</b>							
101	$\lambda_{ar}$	Spectral Application Range	$Se(\lambda_{ar}) = 0.25 \times S(\lambda)_{max}$	400		950	nm
102	$\lambda_{pk}$	Peak Sensitivity Wavelength			680		nm
103	Aph()	Radiant Sensitive Area	0.8 mm x 0.33 mm		0.264		mm <sup>2</sup>
104	S( $\lambda$ )	Spectral Sensitivity	$\lambda_{LED} = 740$ nm $\lambda_{LED} = 850$ nm		0.45 0.30		A/W A/W
106	E()mxr	Irradiance For Maximum Signal Level	$\lambda_{LED} = 740$ nm, Vout() not yet saturated		1.7		mW/cm <sup>2</sup>
<b>Photocurrent Amplifiers</b>							
201	Iph()	Permissible Photocurrent Operating Range		0		1120	nA
202	$\eta()$ r	Photo Sensitivity (light-to-voltage conversion ratio)	$\lambda_{LED} = 740$ nm	0.2	0.3	0.5	V/ $\mu$ W
203	Z()	Equivalent Transimpedance Gain	Z = Vout() / Iph()	0.7	1.0	1.4	M $\Omega$
204	TCz	Temperature Coefficient of Transimpedance Gain			-0.12		%/°C
209	$\Delta Z()$ pn	Transimpedance Gain Matching	P vs. N path per diff. channel	-0.2		0.2	%
210	$\Delta V_{out}()$ pn	Signal Matching	no illumination, any output to any output	-35		35	mV
211	$\Delta V_{out}()$ pn	Signal Matching	no illumination, P.. output vs. corresponding N.. output	-2.5		2.5	mV
212	fc()hi	Cut-off Frequency (-3 dB)			400		kHz
213	VNoise()	RMS Output Noise	illuminated to 500 mV signal level above dark level, 500 kHz band width		0.5		mV
<b>Signal Outputs</b>							
301	Vout()mx	Permissible Maximum Output Voltage	illumination to E()mxr, linear gain	2.45	2.72	3.02	V
302	Vout()d	Dark Signal Level	no illumination, load 20 k $\Omega$ vs. +2 V	600	770	1000	mV
303	Vout()acmx	Maximum Signal Level	Vout()acmx = Vout()mx - Vout()d	1.48	1.96	2.35	V
304	Isc()hi	Short-Circuit Current hi	load current to ground	100	420	800	$\mu$ A
305	Isc()lo	Short-Circuit Current lo	load current to IC	250	480	700	$\mu$ A
306	Ri()	Internal Output Resistance	f = 1 kHz	70	110	180	$\Omega$
307	ton()	Power-On Settling Time	VCC = 0 V $\rightarrow$ 5 V			100	$\mu$ s
<b>Reference Voltage VREF</b>							
401	VREF	Reference Voltage	I(VREF) = -100...+300 $\mu$ A	600	770	1000	mV
402	dVout()	Load Balancing	I(VREF) = -100...+300 $\mu$ A	-10		+10	mV
403	Isc()hi	Short-Circuit Current hi	load current to ground	200	420	800	$\mu$ A
404	Isc()lo	Short-Circuit Current lo	load current to IC	0.4	4.5	10	mA

### APPLICATION CIRCUITS

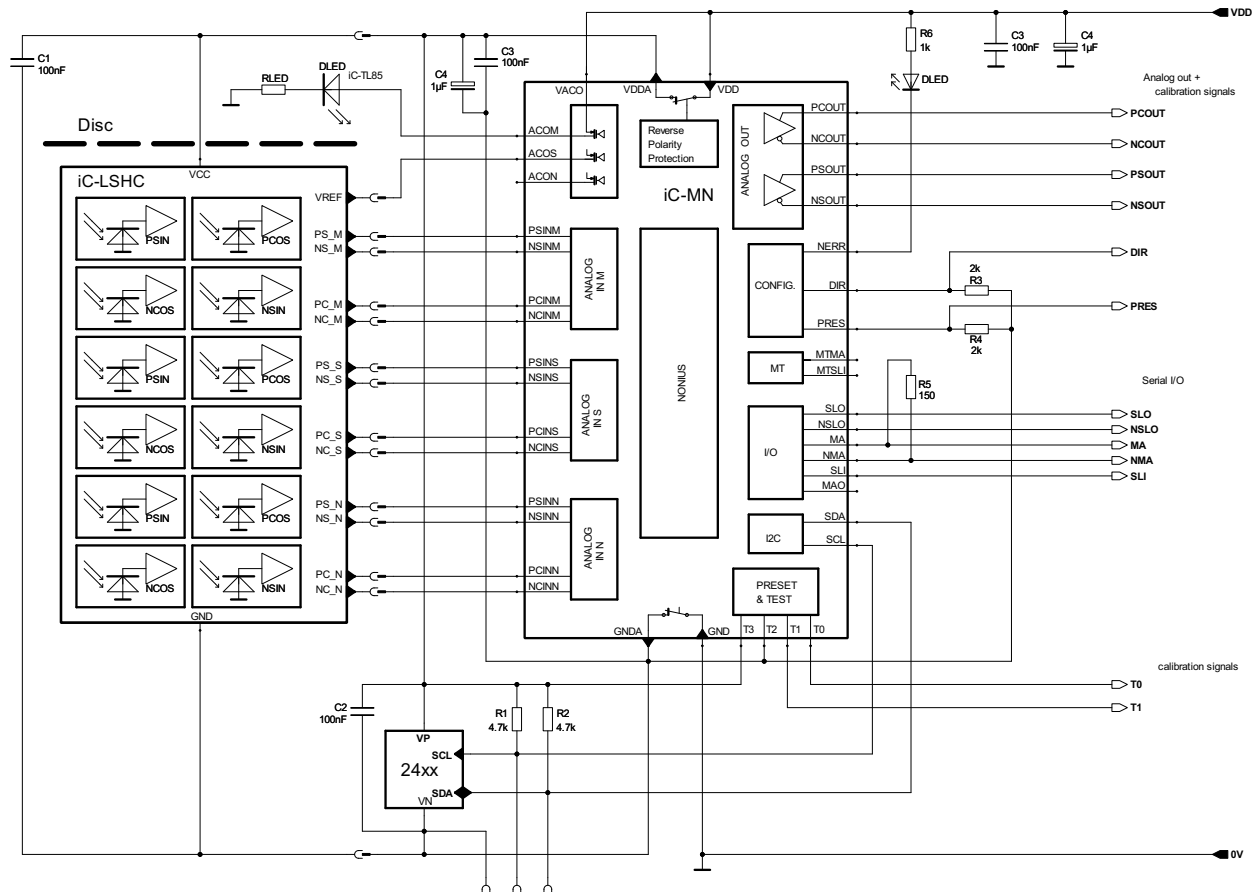


Figure 1: Application example of absolute encoder

### DESIGN REVIEW: Notes On Chip Functions

iC-LSHC 2		
No.	Function, Parameter/Code	Description and Application Hints
1		Please refer to former datasheet release B1.

Table 4: Notes on chip functions regarding iC-LSHC chip release 2.

iC-LSHC Z		
No.	Function, Parameter/Code	Description and Application Hints
1		No further notes at time of printing.

Table 5: Notes on chip functions regarding iC-LSHC chip release Z.

# iC-LSHC

## 3-CHANNEL SIN/COS PHOTODIODE ARRAY

preliminary



Rev C3, Page 8/9

iC-Haus expressly reserves the right to change its products and/or specifications. An info letter gives details as to any amendments and additions made to the relevant current specifications on our internet website [www.ichaus.de/infoletter](http://www.ichaus.de/infoletter); this letter is generated automatically and shall be sent to registered users by email.

Copying – even as an excerpt – is only permitted with iC-Haus' approval in writing and precise reference to source.

iC-Haus does not warrant the accuracy, completeness or timeliness of the specification and does not assume liability for any errors or omissions in these materials.

The data specified is intended solely for the purpose of product description. No representations or warranties, either express or implied, of merchantability, fitness for a particular purpose or of any other nature are made hereunder with respect to information/specification or the products to which information refers and no guarantee with respect to compliance to the intended use is given. In particular, this also applies to the stated possible applications or areas of applications of the product.

iC-Haus conveys no patent, copyright, mask work right or other trade mark right to this product. iC-Haus assumes no liability for any patent and/or other trade mark rights of a third party resulting from processing or handling of the product and/or any other use of the product.



# iC-LSHC

## 3-CHANNEL SIN/COS PHOTODIODE ARRAY

preliminary



Rev C3, Page 9/9

### ORDERING INFORMATION

Type	Package	Options	Order Designation
iC-LSHC	optoBGA 6.2 mm x 5.2 mm optoBGA 6.2 mm x 5.2 mm optoBGA 6.2 mm x 5.2 mm	glass lid reticle 26-256 NMS reticle 26-1024 NMS	iC-LSHC oBGA LSH2C iC-LSHC oBGA LSH2C-4R iC-LSHC oBGA LSH2C-1R
iC-LSHC	32-pin optoQFN, 5 mm x 5 mm, thickness 0.9 mm	glass lid  Nonius code cisc 255/256/240 PPR, OD/ID $\varnothing$ 26/11.6 mm, glass  Nonius code disc 1023/1024/992 PPR, OD/ID $\varnothing$ 26/11.6 mm, glass	iC-LSHC oQFN32-5x5  LSHC4S 26-256N  LSHC1S 26-1024N

For technical support, information about prices and terms of delivery please contact:

**iC-Haus GmbH**  
Am Kuemmerling 18  
D-55294 Bodenheim  
GERMANY

**Tel.: +49 (61 35) 92 92-0**  
**Fax: +49 (61 35) 92 92-192**  
**Web: <http://www.ichaus.com>**  
**E-Mail: [sales@ichaus.com](mailto:sales@ichaus.com)**

Appointed local distributors: [http://www.ichaus.com/sales\\_partners](http://www.ichaus.com/sales_partners)