

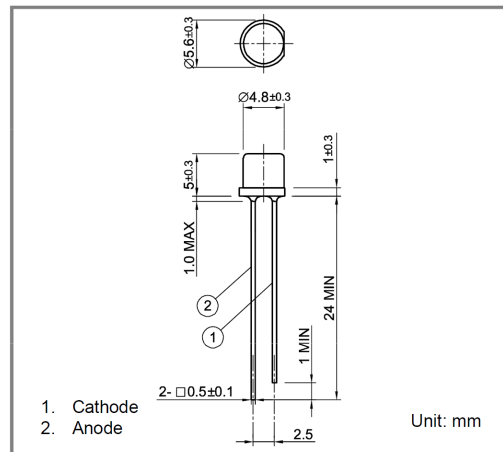
Plastic Mold Infrared LEDs KED941M53VC

Features

- Visible-cut epoxy mold
- Direct modulation

Applications

- Optical switches
- Optical instruments
- Automatic control apparatus



Specifications

Absolute Maximum Ratings

Parameter	Symbol	Value	Unit	Conditions
Forward current	I_F	100	mA	
Peak forward current	I_{FP}	1	A	
Reverse voltage	V_R	5	V	
Power dissipation	P_D	150	mW	
Operating temperature	T_{opr}	-20 to +85		Avoid dew condensation
Storage temperature	T_{stg}	-20 to +100		Avoid dew condensation

Electrical and Optical characteristics

Parameter	Symbol	Value			Unit	Conditions
		Min.	Typ.	Max		
Forward voltage	V_F		1.3	1.6	V	$I_F=50\text{mA}$
Reverse Current	I_R			10	μA	$V_R=5\text{V}$
Optical output power	P_O		11		mW	$I_F=50\text{mA}$
Peak wavelength	ρ		940		nm	$I_F=50\text{mA}$
Spectral width			50		nm	$I_F=50\text{mA}$
Half angle	2		90		deg	$I_F=50\text{mA}$

