

Industrial Equipment

Liquid Temperature Measurement

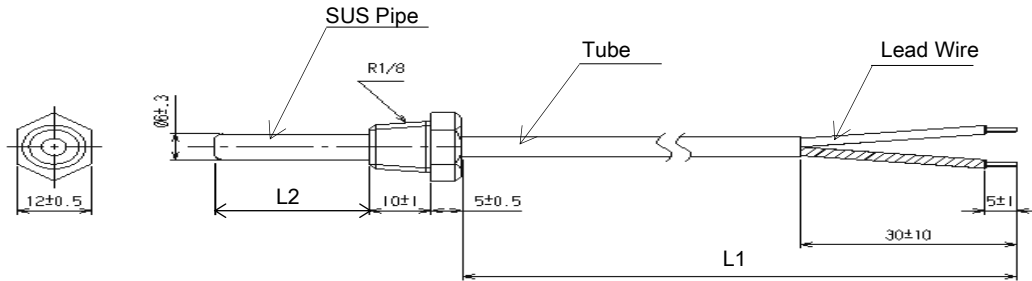
28 Screw Type Pipe Sensor

Features: Screw type temperature sensor that can be used in water / oil tanks.

Zero Power Resistance: $R_{25} = 10.0k\Omega \pm 1\%$
 B value : $B_{25/85} = 3435K \pm 1\%$
 Temperature range : $-10^{\circ}C - 105^{\circ}C$

Unit: mm

- ◆ Thermal Time Constant: approx. 20 sec. (in stirred water)
- ◆ Dielectric Strength Voltage: AC1200V 1 sec.
- ◆ Insulation Resistance: DC 500V 100M Ω +



Pipe Temperature Measurement

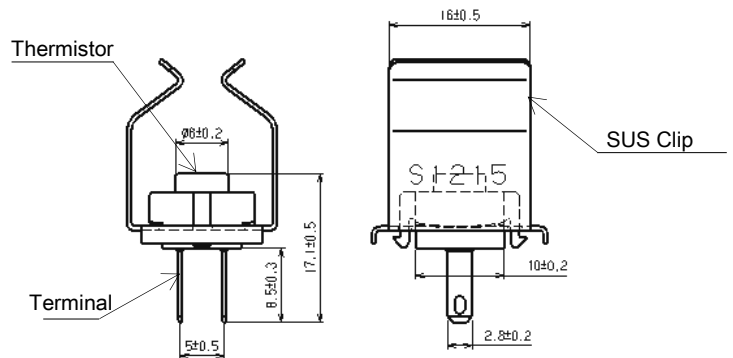
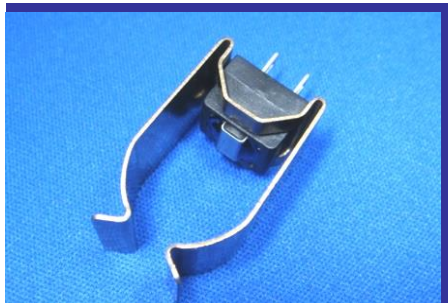
29 Clip Sensor

Features: A temperature sensor that can be directly mounted to pipes and can be easily exchanged for maintenance.

Zero Power Resistance: $R_{85} = 1.075k\Omega \pm 3\%$
 B value : $B_{25/85} = 3969K \pm 1\%$
 Temperature range : $-20^{\circ}C - 120^{\circ}C$

Unit: mm

- ◆ Thermal Time Constant: 0.6 sec. (Roller)
- ◆ Dielectric Strength Voltage: AC 600V 1 sec.
- ◆ Insulation Resistance: DC 500V 100M Ω +



Heat Sink

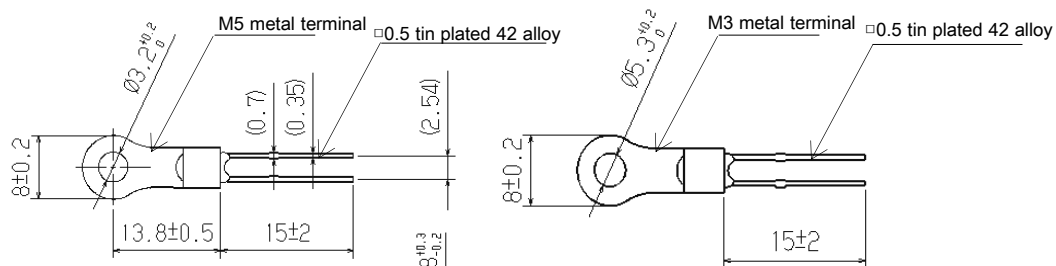
30 Screw Mount Sensor

Features: A temperature sensor that can easily be mounted with M3 / M5 screws.

Zero Power Resistance: $R_{25} = 10.0k\Omega \pm 0.5\%$
 B value : $B_{25/85} = 3976K \pm 0.5\%$
 Temperature range : $-50^{\circ}C - 150^{\circ}C$

Unit: mm

- ◆ Thermal Time Constant: approx. 60 sec.
- ◆ Dielectric Strength Voltage: AC 600V 1 sec.
- ◆ Insulation Resistance: DC 500V 100M Ω +

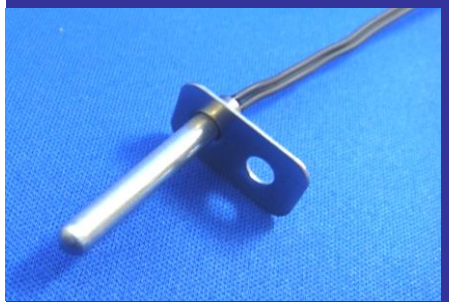


Cooking Appliances

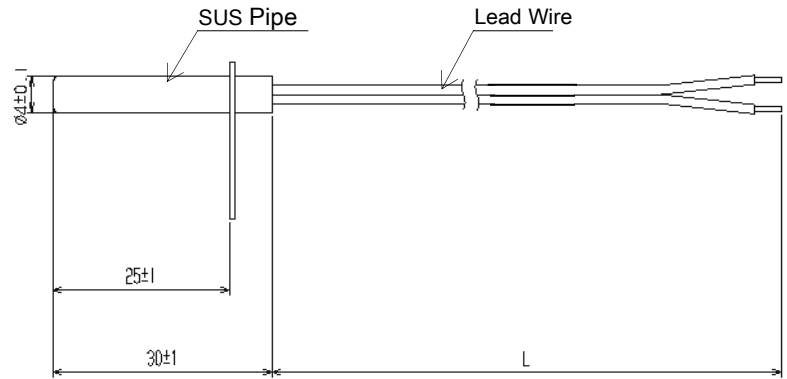
31 Flange Pipe Sensor

Zero Power Resistance : $R_{25} = 5.1k\Omega \pm 5\%$
 B value : $B_{25/85} = 3200K \pm 2\%$
 Temperature range : $-10^{\circ}C - 120^{\circ}C$

- ◆ Thermal Time Constant: approx. 120 sec.
- ◆ Dielectric Strength Voltage: AC 1200V 1 sec.
- ◆ Insulation Resistance: DC 500V 100M Ω +



Features: Easy to mount temperature sensor with integrated flange.



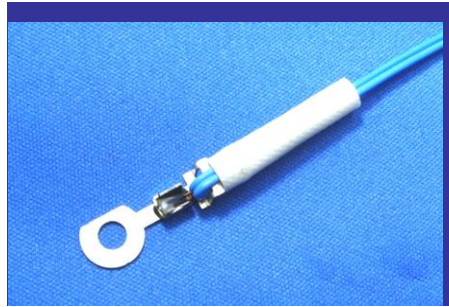
Unit: mm

Heater Temperature Measurement

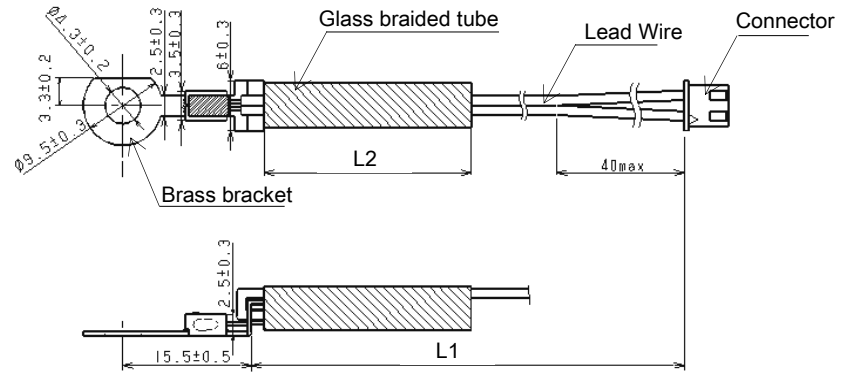
32 Screw Mount Sensor

Zero Power Resistance : $R_{100} = 3.3k\Omega \pm 2.5\%$
 B value : $B_{0/100} = 3970K \pm 2\%$
 Temperature range : $-20^{\circ}C - 180^{\circ}C$

- ◆ Thermal Time Constant: ca. 78 sec.
- ◆ Dielectric Strength Voltage: AC 1200V 1 sec.
- ◆ Insulation Resistance: DC 500V 100M Ω +



Features: Highly heat resistant Screw Mount type temperature sensor with metal terminal.



Unit: mm

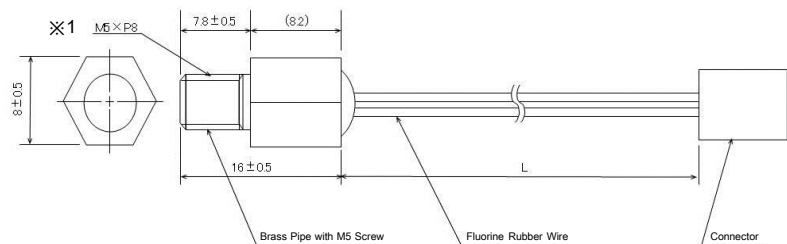
33 M5 Screw Type Sensor

Zero Power Resistance : $R_{135} = 3.138k\Omega \pm 3\%$
 B value : $B_{25/85} = 3750K \pm 3\%$
 Temperature range : $-50^{\circ}C - 250^{\circ}C$

- ◆ Thermal Time Constant: approx. 5.5 sec.
- ◆ Dielectric Strength Voltage: AC 600V 1 sec.
- ◆ Insulation Resistance: DC 500V 100M Ω +



Features: Screw Mount type temperature sensor that can be mounted directly to the heater block.



Unit: mm

※1: Tip M5 screw part only