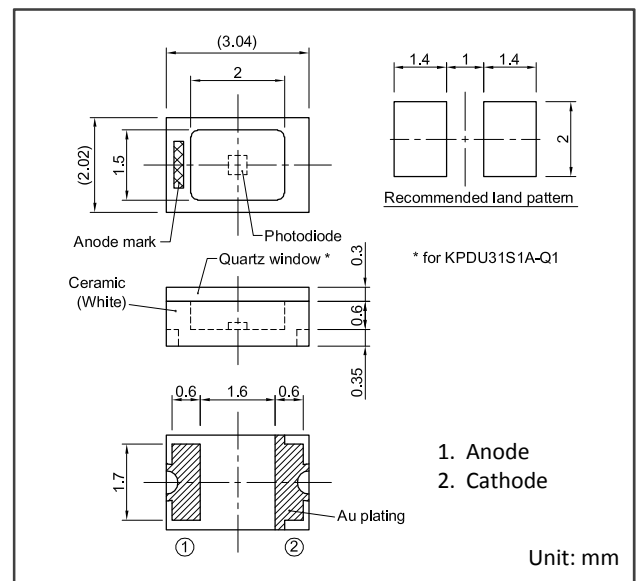


Features

- Wide sensitivity covering both UV-B and UV-C
- SMD type package
- KPDU31S1A-Q1: quartz window type
- KPDU31S1A-B1: windowless package

Applications

- UV sensors
- Spectroscopy
- UV exposure meters
- UV source monitors
- Medical uses

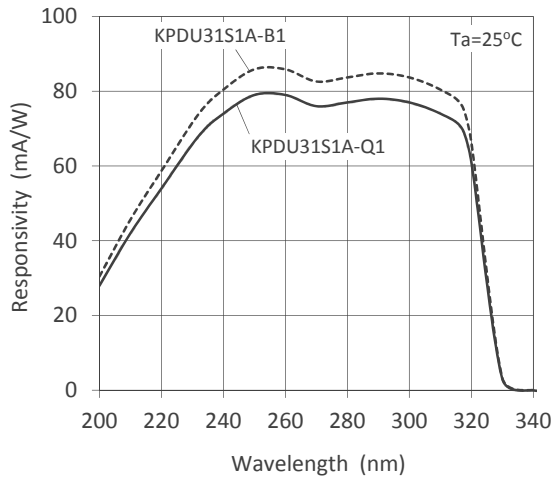
**Absolute Maximum Ratings**

Parameter	Symbol	Value	Unit	Note
Reverse voltage	V_R	1	V	
Operating temperature	T_{opr}	-40 to +80	°C	Avoid dew condensation
Storage temperature	T_{stg}	-40 to +85	°C	Avoid dew condensation
Soldering temperature	T_{sol}	260	°C	Max 5 sec.

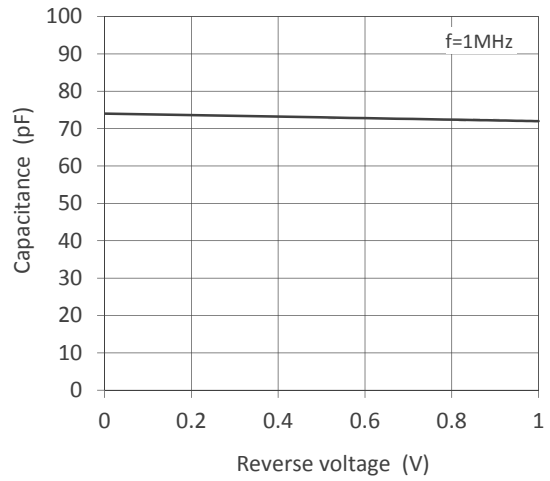
Electrical and Optical Characteristics ($T_a=25^\circ\text{C}$ unless otherwise noted)

Parameter	Symbol	Min.	Typ.	Max.	Unit	Test Condition
Active area	S	0.07			mm ²	
Sensitive wavelength	λ	200	-	330	nm	
Responsivity	R	60	75	-	mA/W	$V_R=0\text{V}$, $\lambda=300\text{nm}$ KPDU31S1A-Q1
		60	80	-		$V_R=0\text{V}$, $\lambda=300\text{nm}$ KPDU31S1A-B1
Dark current	I_D	-	5	1000	pA	$V_R=1\text{V}$
Terminal capacitance	C_t	-	75	-	pF	$V_R=0\text{V}$, $f=1\text{MHz}$

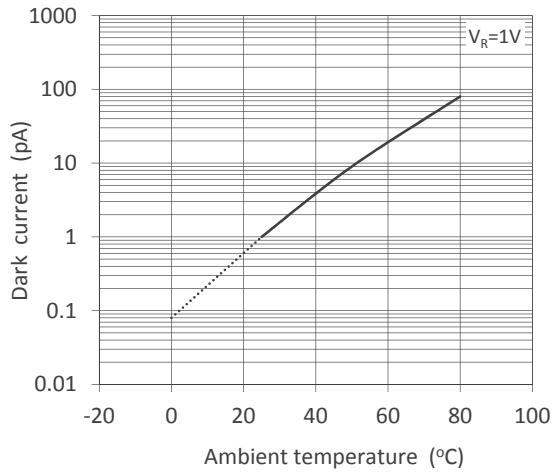
Spectral Responsivity



Capacitance - Reverse Voltage



Dark Current - Ambient Temperature



- Specifications, characteristics, data, materials, structures specified in this datasheet are subject to change without notice. Please refer to the latest specification before use of the products.
- Products listed in this datasheet comply with the RoHS Directive (EU2002/95/EC).

Opto-technologies for the Future



KYOSEMI CORPORATION

<http://www.kyosemi.co.jp/>

Headquarters : 949-2 Ebisucho Fushimi-ku, Kyoto 612-8201 Japan

TEL: +81-75-605-7311

Tokyo Sales Office: 24th Sky Bldg.2F, 1-34-3 Shinjuku Shinjuku-ku, Tokyo 160-0022 Japan

TEL: +81-3-5312-5360

Kansai Sales Office: 949-2 Ebisucho Fushimi-ku, Kyoto 612-8201 Japan

TEL: +81-75-605-7311

Kyosemi Opto America Corp: 4655 Old Ironsides Suite 230 Santa Clara, California 95054 USA

TEL: +1-408-492-9361

Eniwa Operation: 385-31 Toiso Eniwa-shi, Hokkaido 061-1405 Japan

TEL: +81-123-34-3111

Kamisunagawa Operation: 70-1 Kamisunagawa Kamisunagawa-cho Sorachi-gun, Hokkaido 073-0200 Japan

TEL: +81-125-62-3611