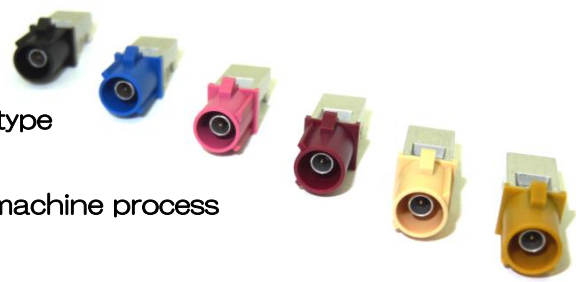


HF106P Series FAKRA (DIN72594-1) Coaxial connector

◇FEATURES OF THE SERIES

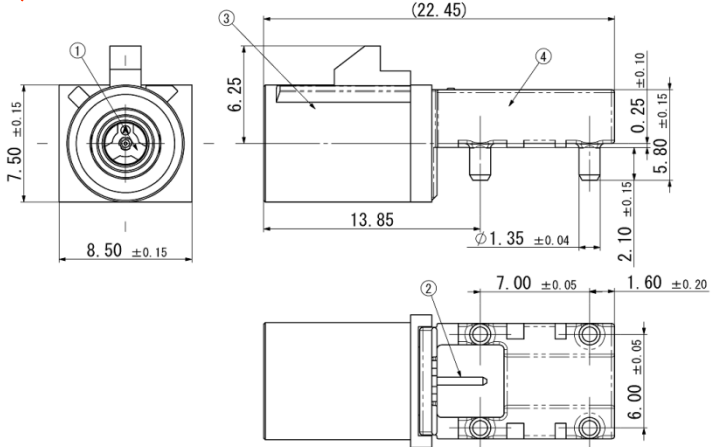
- Compliant with DIN72594-1 (FAKRA) and USCAR-18 Rev.3
- Nominal characteristic impedance: 50Ω
- High-frequency characteristics : 0 ~4GHz
- Right Angle type
- Realization of low profile design with surface mount type
 - ✓Capable of through hole reflow
- Embossed packing / capable of automatic assembly machine process
- Various key variations



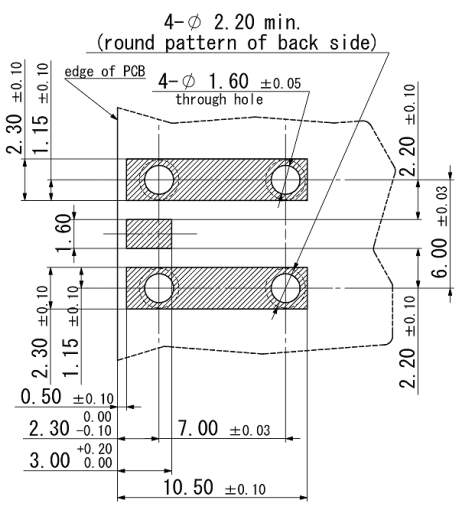
◇LINE UP

Cording Type						
	A	B	C	D	F	G
Color	Black	White	Blue	Bordeaux	Brown	Grey
Parts No.	HF106P-0001-0A-VE	HF106P-0001-0B-VE	HF106P-0001-0C-VE	HF106P-0001-0D-VE	HF106P-0001-0F-VE	HF106P-0001-0G-VE
Cording Type						
	H	I	K	M		
Color	Violet	Beige	Curry	Pastel Orange		
Parts No.	HF106P-0001-0H-VE	HF106P-0001-0I-VE	HF106P-0001-0K-VE	HF106P-0001-0M-VE		

◇Outline dimension



◇Recommended printed circuit board pads dimensions



◇Configuration of part no.

HF106P-0001-0*-VE
 A: Black , Coding:A
 B: White , Coding:B
 C: Blue , Coding:C
 D: Bordeaux , Coding:D
 H: Violet , Coding:H
 I: Beige , Coding:I
 K: Curry , Coding:K

◇Bill of Material

4	Outer contact	1	ZDC	Cu-Ni- Sn
3	Housing	1	PA	
2	Center contact	1	BS	Ni-Au
1	Insulator	1	LCP	
部品番号 ITEM	部品名 DESCRIPTION	個数 QNT.	材質・寸度 MATERIAL	記事 CONTENT