

iC-RMF (MB85RDP16LX) NONVOLATILE FRAM MEMORY

target specification
confidential



Rev A3, Page 1/4

FEATURES

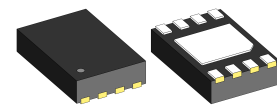
- ◆ Energy efficient interface to iC-PMX (Energy Harvesting multiturn counter/encoder)
- ◆ Runt pulse tolerant counting algorithm
- ◆ R/W access through SPI interface
- ◆ 2048 byte FRAM memory
- ◆ Based on *Fujitsu** MB85RDP16LX
- ◆ Extended temperature range from -40 °C to 125 °C

*Fujitsu = registered trademark of Fujitsu Semiconductor Limited

APPLICATIONS

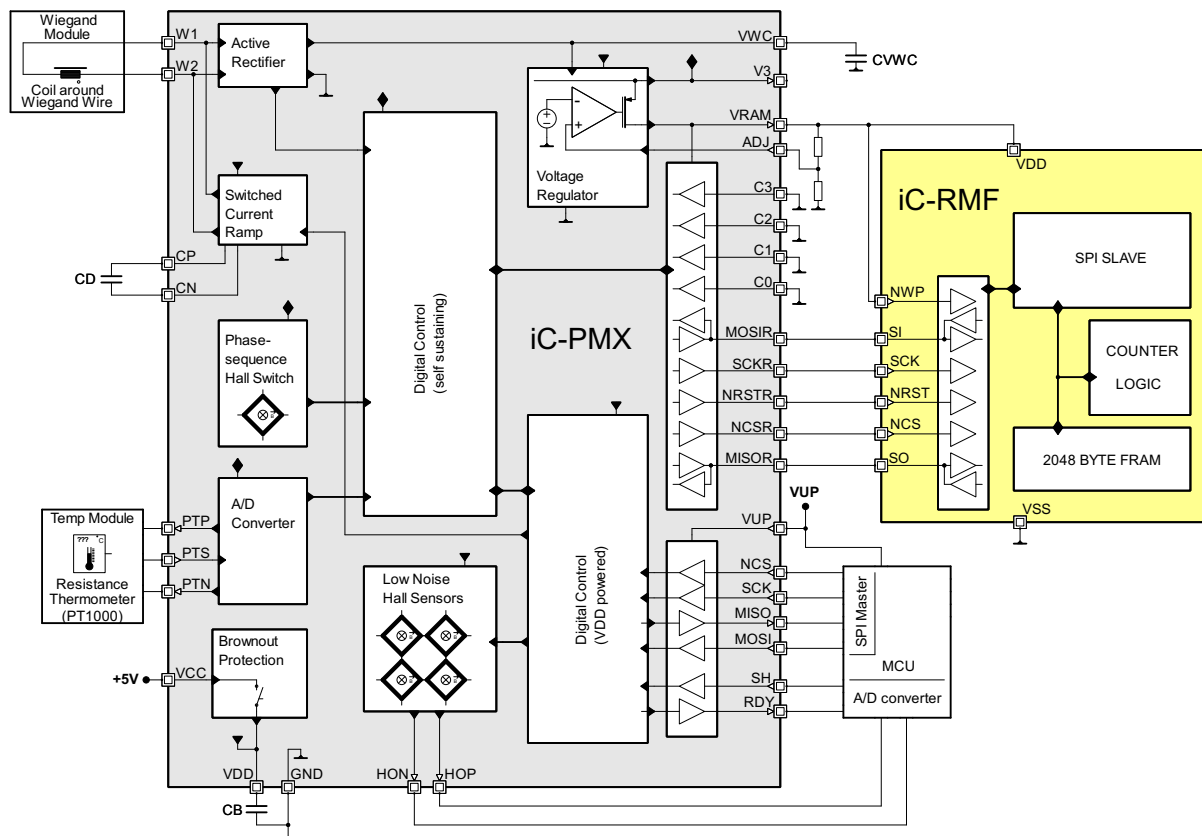
- ◆ Energy Harvesting multiturn encoder
- ◆ Absolute linear encoder
- ◆ Period counters
- ◆ Gas meters
- ◆ Liquid flow meters

PACKAGES



SON8
3 mm x 2 mm x 0.75 mm
RoHS compliant

BLOCK DIAGRAM



iC-RMF (MB85RDP16LX) NONVOLATILE FRAM MEMORY

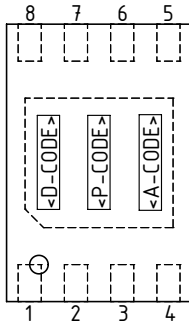
target specification
confidential



Rev A3, Page 2/4

PACKAGING INFORMATION

PIN CONFIGURATION



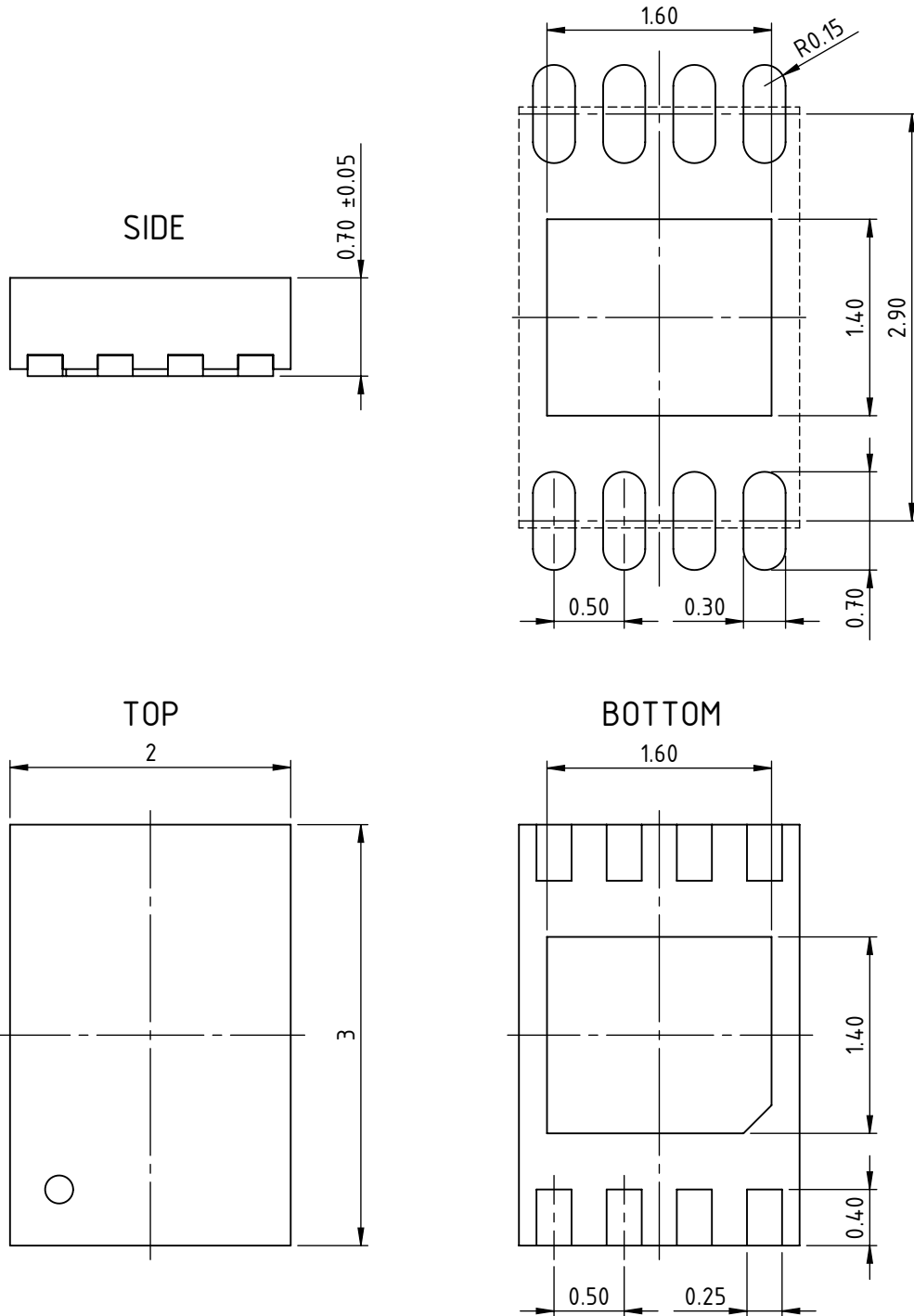
PIN FUNCTIONS

No.	Name	Function
1	CS	Chip Select
2	SO(IO1)	Serial Data Output
3	WP	Write Protect
4	VSS	Ground
5	SI(IO0)	Serial Data Input
6	SCK	Serial Clock
7	RST	Reset
8	VDD	Supply Voltage

IC top marking: <D-CODE> = date code (subject to changes), <P-CODE> = product code, <A-CODE> = assembly code (subject to changes)

PACKAGE DIMENSIONS

RECOMMENDED PCB-FOOTPRINT



All dimensions given in mm.

iC-RMF (MB85RDP16LX) NONVOLATILE FRAM MEMORY



Rev A3, Page 4/4

Copying – even as an excerpt – is only permitted with iC-Haus' approval in writing and precise reference to source.

iC-Haus does not warrant the accuracy, completeness or timeliness of the specification and does not assume liability for any errors or omissions in these materials.

The data specified is intended solely for the purpose of product description. No representations or warranties, either express or implied, of merchantability, fitness for a particular purpose or of any other nature are made hereunder with respect to information/specification or the products to which information refers and no guarantee with respect to compliance to the intended use is given. In particular, this also applies to the stated possible applications or areas of applications of the product.

iC-Haus products are not designed for and must not be used in connection with any applications where the failure of such products would reasonably be expected to result in significant personal injury or death (*Safety-Critical Applications*) without iC-Haus' specific written consent. Safety-Critical Applications include, without limitation, life support devices and systems. iC-Haus products are not designed nor intended for use in military or aerospace applications or environments or in automotive applications unless specifically designated for such use by iC-Haus.

iC-Haus conveys no patent, copyright, mask work right or other trade mark right to this product. iC-Haus assumes no liability for any patent and/or other trade mark rights of a third party resulting from processing or handling of the product and/or any other use of the product.