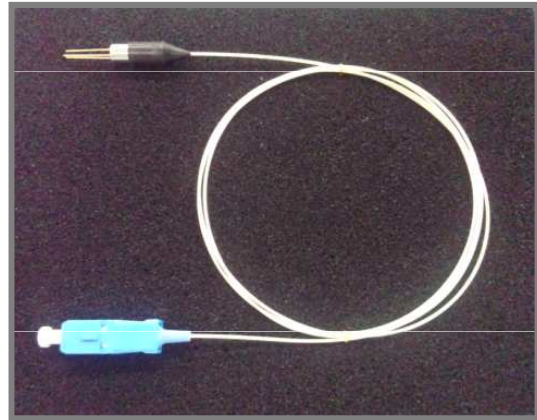


Features

- Wavelength 850nm
- Multi-mode fiber pigtail
- High efficiency
- High reliability

Application

- Short range optical communications
- Optical sensors

**Absolute Maximum Ratings**

Parameter	Symbol	Value	Unit	Note
Forward current	I_F	80	mA	
Reverse voltage	V_R	3	V	
Operating temperature	T_{opr}	-20 to +80	°C	Avoid dew condensation
Storage temperature	T_{stg}	-20 to +100	°C	Avoid dew condensation

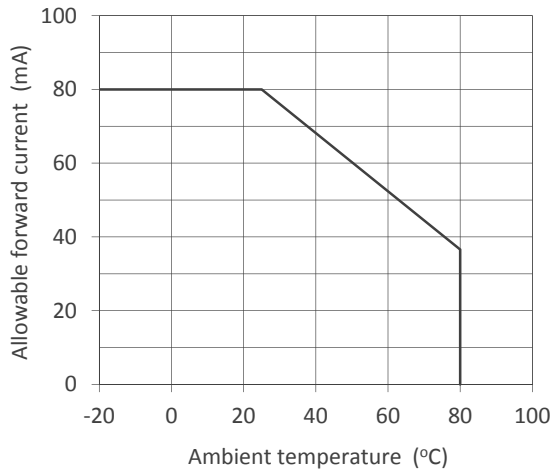
Electrical and Optical Characteristics (Ta=25°C unless otherwise noted)

Parameter	Symbol	Min.	Typ.	Max.	Unit	Test Condition
Forward voltage	V_F	-	1.9	2.4	V	$I_F=50\text{mA}$
Reverse current	I_R	-	-	10	μA	$V_R=3\text{V}$
Optical output power	P_O	-	-16	-	dBm	$I_F=50\text{mA}$
Peak emission wavelength	λ_p	-	850	-	nm	$I_F=50\text{mA}$
Cutoff frequency	f_C	-	32	-	MHz	$I_F=50\text{mA}$

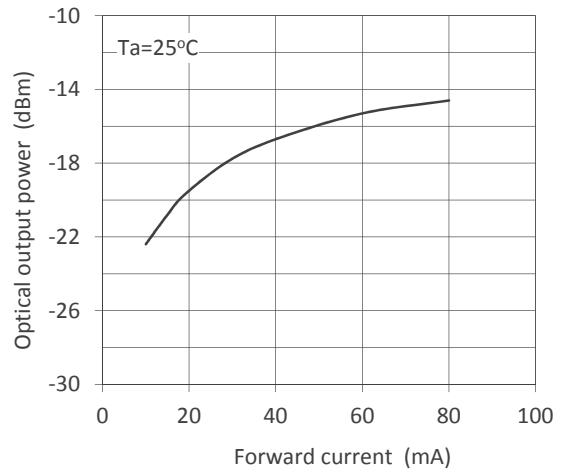
Pigtail Specifications

Parameter	Specification	Unit	Note
Optical fiber type	GI (50/125 μm)	-	$\phi 0.9\text{mm}$
Optical fiber length	1100 \pm 100	mm	Including connector
Optical connector	SC connector	-	AdPC polished

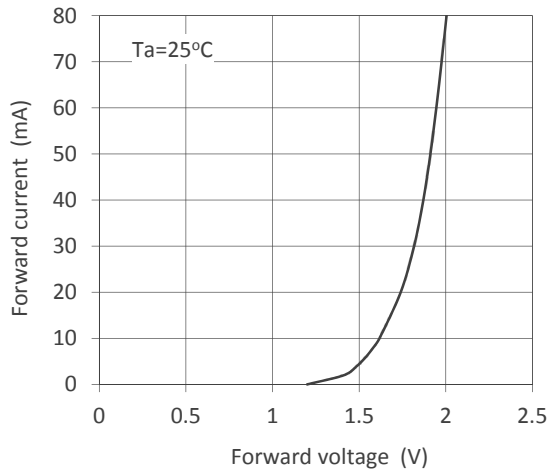
Allowable Forward Current-Ambient Temperature



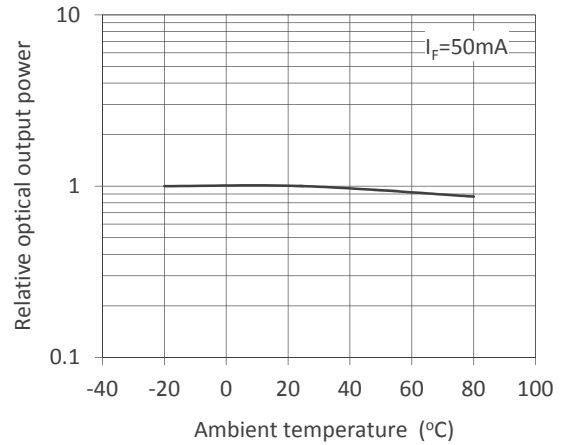
Optical Output Power - Forward Current



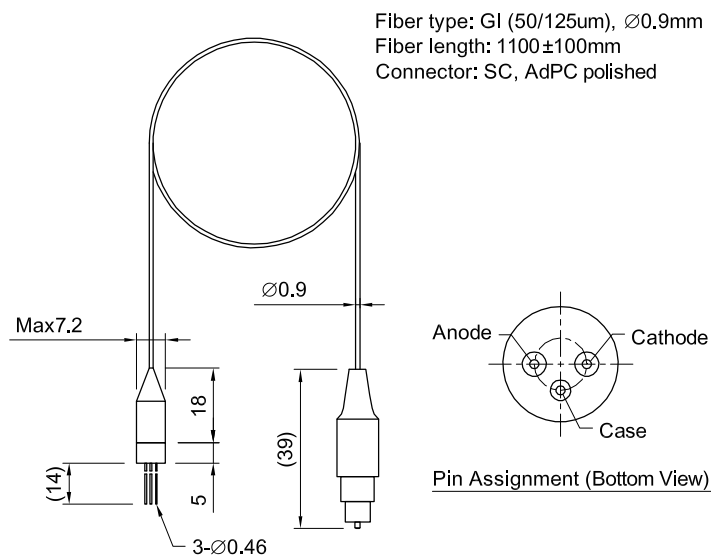
Forward Current - Forward Voltage



Relative Optical Output Power - Ambient Temperature



Dimensions



Unit: mm

- Specifications , characteristics, data, materials, structures specified in this datasheet are subject to change without notice. Please refer to the latest specification before use of the products.
- Products listed in this datasheet comply with the RoHS Directive (EU2002/95/EC).

Opto-technologies for the Future



KYOSEMI CORPORATION

<http://www.kyosemi.co.jp/>

Headquarters : 949-2 Ebisucho Fushimi-ku, Kyoto 612-8201 Japan

TEL: +81-75-605-7311

Tokyo Sales Office: 24th Sky Bldg.2F, 1-34-3 Shinjuku Shinjuku-ku, Tokyo 160-0022 Japan

TEL: +81-3-5312-5360

Kansai Sales Office: 949-2 Ebisucho Fushimi-ku, Kyoto 612-8201 Japan

TEL: +81-75-605-7311

Kyosemi Opto America Corp: 4655 Old Ironsides Suite 230 Santa Clara, California 95054 USA

TEL: +1-408-492-9361

Eniwa Operation: 385-31 Toiso Eniwa-shi, Hokkaido 061-1405 Japan

TEL: +81-123-34-3111

Kamisunagawa Operation: 70-1 Kamisunagawa Kamisunagawa-cho Sorachi-gun, Hokkaido 073-0200 Japan

TEL: +81-125-62-3611