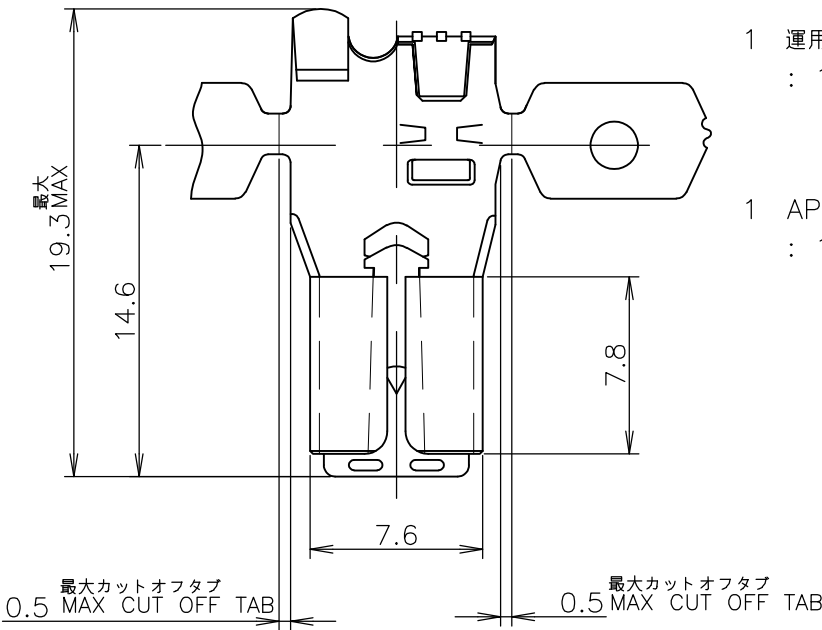
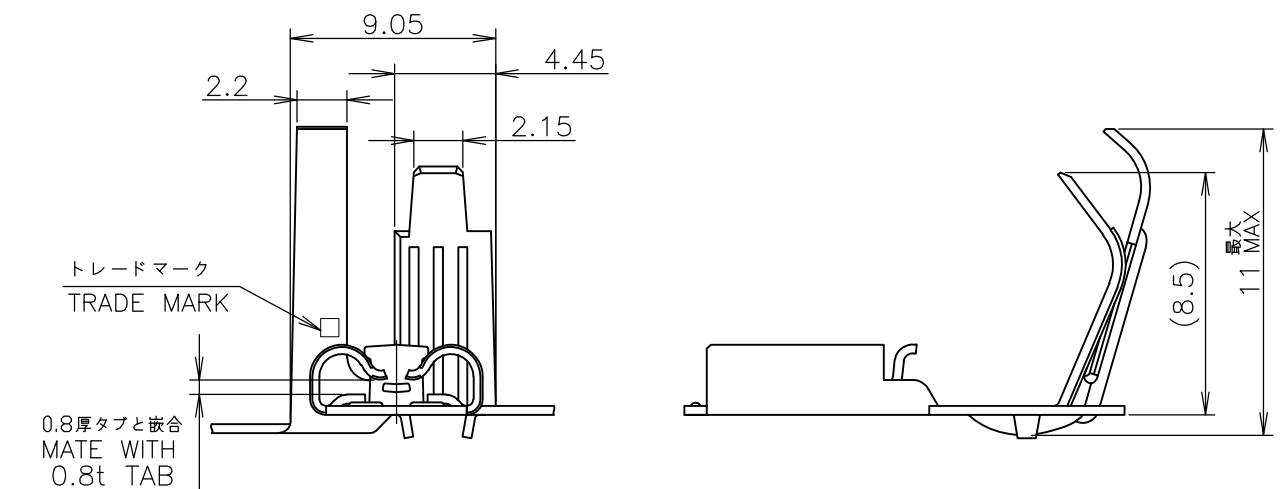


LOC J	DIST /	REVISIONS 変更			DATE	DWN	APVD
		P	LTR	DESCRIPTION			
			B	ECR-14-002557	24FEB2014	D.L	T.D

-1, -2; AS SHOWN



- 1 運用スリーブ型番
: 1717268-X, 176497-X, 2013799-X
- 1 APPLICABLE SLEEVE P/N
: 1717268-X, 176497-X, 2013799-X



	PRE TIN COPPER ALLOY 0.4t 錫めっき付銅合金 0.4t	2232343-2
	PRE TIN BRASS 0.4t 錫めっき付 黄銅 0.4t	2232343-1
LOOSE PIECE NO. ばら状端子型番	MATERIAL 材料	P/N 型番

WIRE RANGE 抱合電線断面積	AWG #18-#12 0.75~3.37 mm ²	INSULATION DIA 被覆外径	2.8~4.1 mm ϕ
-----------------------	--	------------------------	-------------------

THIS DRAWING IS UNPUBLISHED. RELEASED FOR PUBLICATION NOV , 2013. ALL RIGHTS RESERVED.

COPYRIGHT 2007 By -

DIMENSIONS:
単位: 耗
mm

TOLERANCES UNLESS OTHERWISE SPECIFIED:
一般公差

0 PLC	±
1 PLC	± 10 ≥: ±0.2
2 PLC	± 30 ≥ > 10: ±0.25
3 PLC	± 100 ≥ > 30: ±0.3
4 PLC	±

ANGLES ± 3°

DWN	B.P	06MAR2013
CHK	F.M	06MAR2013
APVD	YH.M	06MAR2013
PRODUCT SPEC 製品規格	108-5254	
APPLICATION SPEC 取付適用規格	114-5122	
WEIGHT		

MATERIAL 材料	表参照 SEE TABLE	FINISH 仕上	
		TE Connectivity	
		NAME 名称 250 SERIES FLAG POSITIVE LOCK EX 250 シリーズ 旗型ポジティブロックEX	
SIZE	CAGE CODE	DRAWING NO 番号	RESTRICTED TO
A4	00779	2232343	

CUSTOMER DRAWING	SCALE 尺度	NTS	SHEET	1 OF 1	REV	B
------------------	-------------	-----	-------	--------	-----	---