



**Features**

- Uses wiring-easy terminal block.
- General purpose model made with ferrite core.
- Bleeder resistor for electric shock protection.

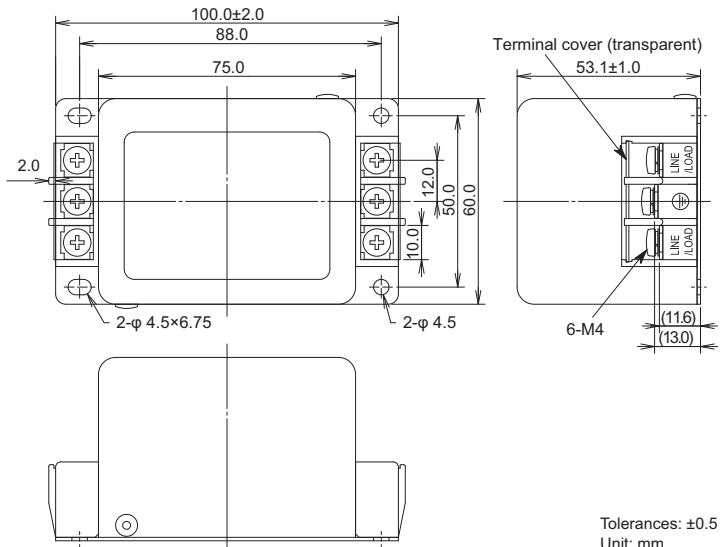
**Applications**

- Thyristor-applied systems, Fax machines, Game machines, Various control systems and etc.

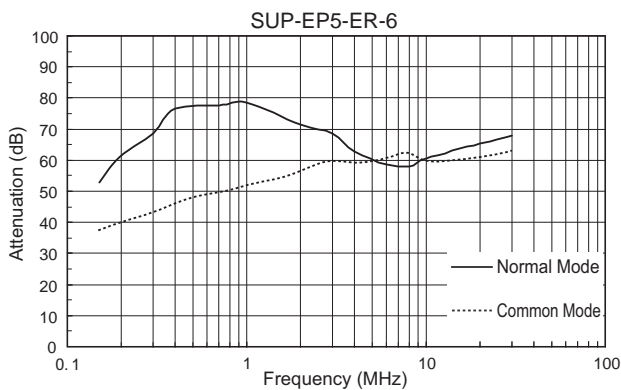


| Safety Standard |                    | File No.    |
|-----------------|--------------------|-------------|
| UL              | :UL1283            | E78644      |
| cUL             | :C22.2, No.8-M1986 |             |
| TÜV             | :EN60939           | R2-50006831 |

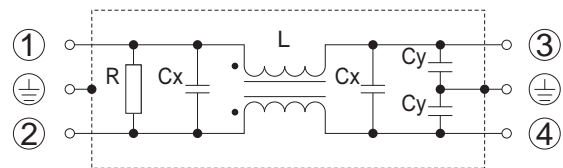
• *Dimensions (5~30A)*



• *Static characteristics*



• *Circuit (5 ~ 30A)*



**Electrical Specifications**

Rated Voltage **250Vac**

| Safety Standard | Model Number  | Rated Current (A) | Test Voltage                                 | Insulation Resistance                   | Leakage Current (max.)     | Voltage Drop (max.) | Temperature Rise (max.) | Operating Temperature (°C)              | Insertion losses  |                   | Weight typ.(g) |
|-----------------|---------------|-------------------|--|---|----------------------------|---------------------|-------------------------|---|-------------------|-------------------|----------------|
|                 |               |                   |  |   |                            |                     |                         |   | Normal Mode (MHz) | Common Mode (MHz) |                |
|                 | SUP-EP5-ER-6  | 5                 | Line to Case<br>2,500Vac<br>50/60Hz<br>60sec | Line to Case<br>100MΩmin<br>(at 500Vdc) | 1mA<br>(at 250Vac<br>60Hz) | 1.0Vac              | 45K                     | -25 ~ +50<br>(100°C with<br>Temp. rise) | 0.15 ~ 30         | 0.3 ~ 20          | 450            |
|                 | SUP-EP10-ER-6 | 10                |  |   |                            |                     |                         |   | 0.2 ~ 30          | 0.4 ~ 20          |                |
|                 | SUP-EP15-ER-6 | 15                |  |   |                            |                     |                         |   | 0.3 ~ 30          | 0.7 ~ 20          |                |
|                 | SUP-EP20-ER-6 | 20                |  |   |                            |                     |                         |   | 0.3 ~ 30          | 2.0 ~ 30          |                |
|                 | SUP-EP30-ER-6 | 30                |  |   |                            |                     |                         |   | 0.4 ~ 30          | 6.0 ~ 30          |                |

Guaranteed attenuation is more than 35dB in normal mode and more than 30dB in common mode.  
 Available leakage current 70μA max.(250Vac, 60Hz) type for medical equipments and low leakage current equipments.