

Infrared LEDs

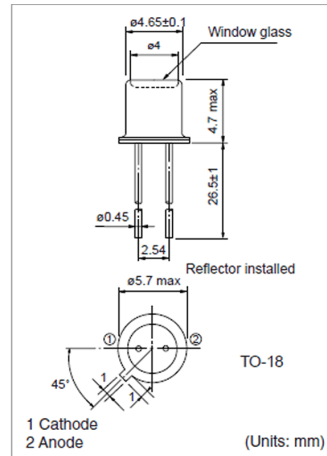
KED604H

■ Features

- High output power
- Flat glass window
- Highly reliable hermetic seal
- Direct modulation

■ Applications

- Optical switches
- Optical encoders
- Optical instruments
- Automatic control apparatus
- Smoke sensors
- Photo-isolators



■ Specifications

➤ Absolute Maximum Ratings

Parameter	Symbol	Value	Unit	Conditions
Forward current	I_F	100	mA	$T_a=25$
Peak forward current	I_{FP}	1.0	A	Puls width=100 μ s, Duty ratio=0.1%
Reverse voltage	V_R	6	V	
Power dissipation	P_D	200	mW	
Operating temperature	T_{opr}	-40 to +125		Avoid dew condensation
Storage temperature	T_{stg}	-55 to +125		Avoid dew condensation

➤ Electrical and Optical characteristics

Parameter	Symbol	Value			Unit	Conditions
		Min.	Typ.	Max		
Forward voltage	V_F		1.5	1.7	V	$I_F=100\text{mA}$
Reverse Current	I_R			10	μ A	$V_R=6\text{V}$
Optical output power	P_O		11		mW	$I_F=100\text{mA}$
Peak wavelength	ρ		890		nm	$I_F=100\text{mA}$
Spectral width			50		nm	$I_F=100\text{mA}$
Half angle	2		60		deg	$I_F=100\text{mA}$

