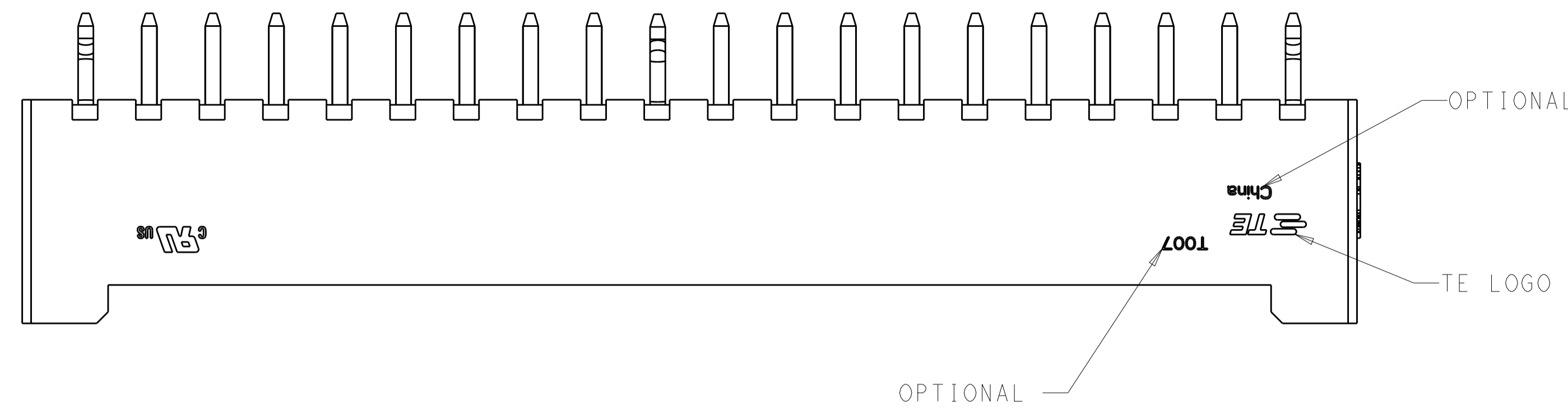
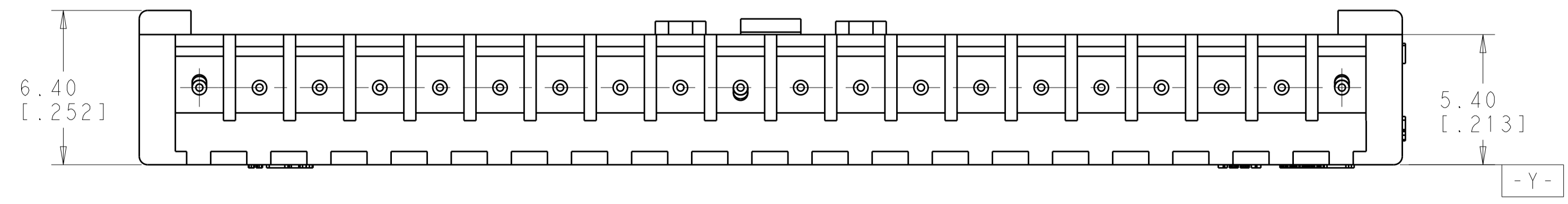
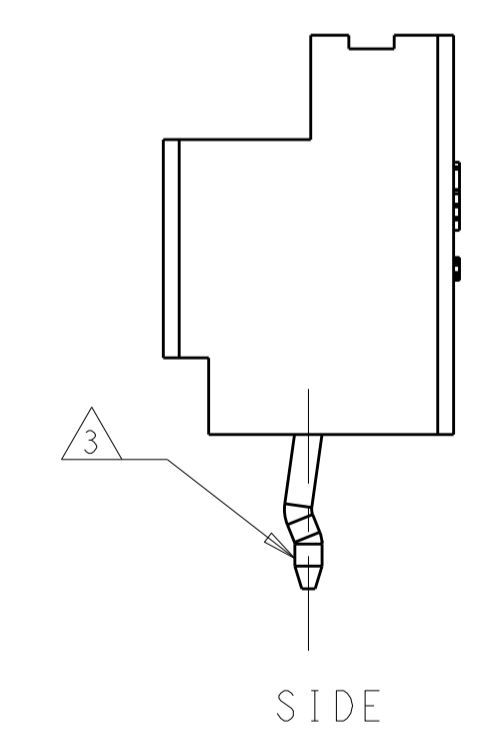
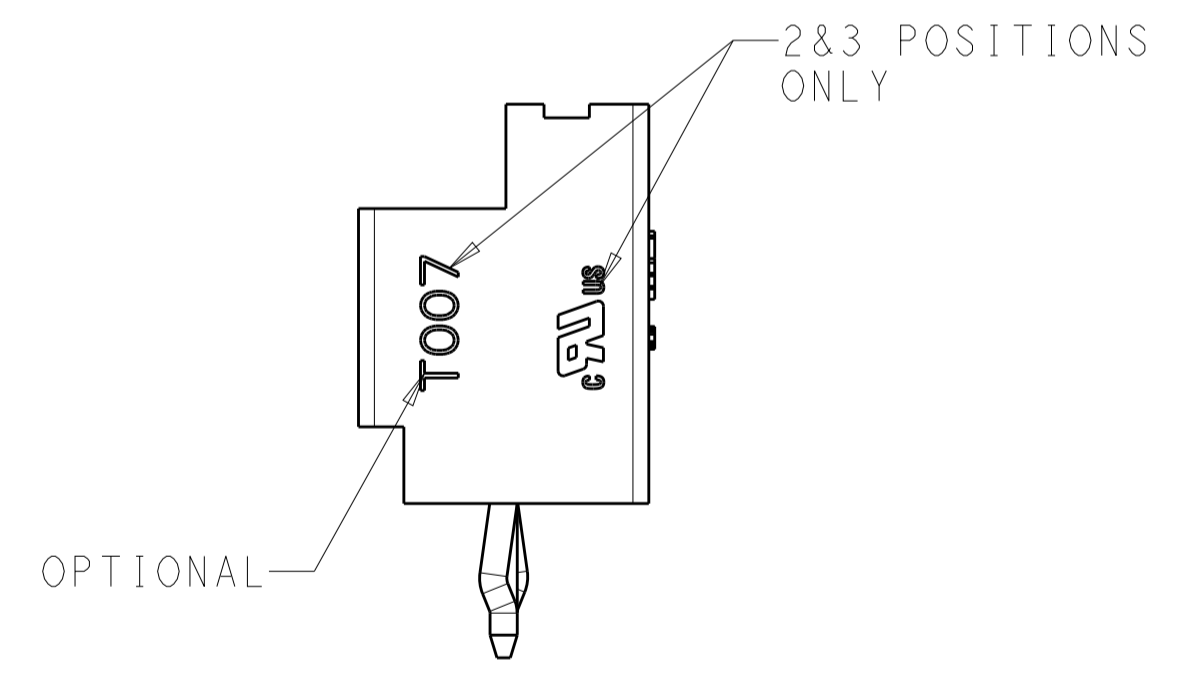
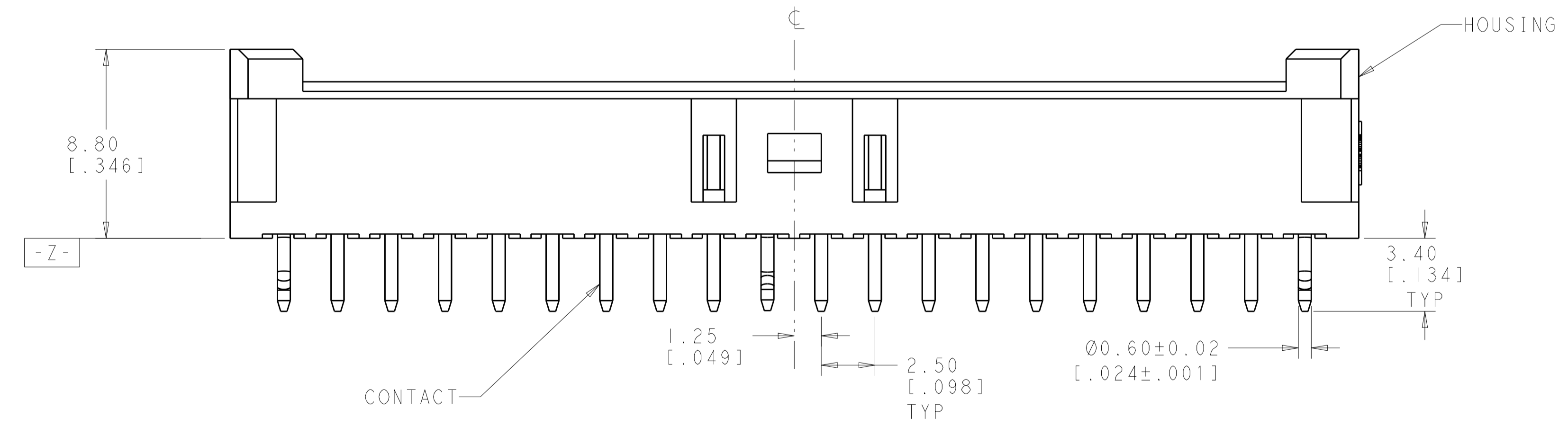
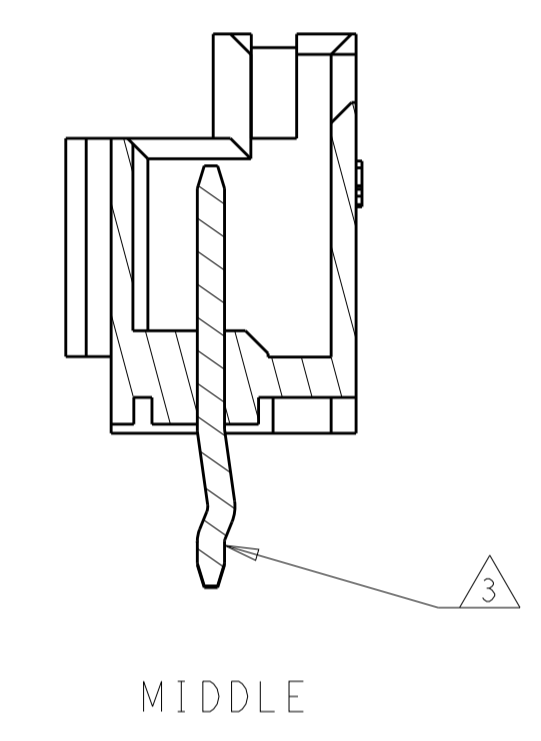
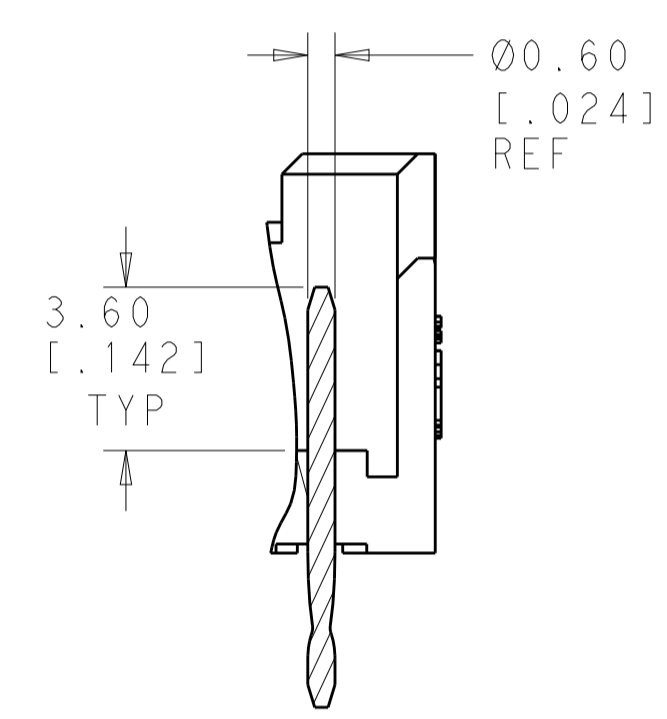
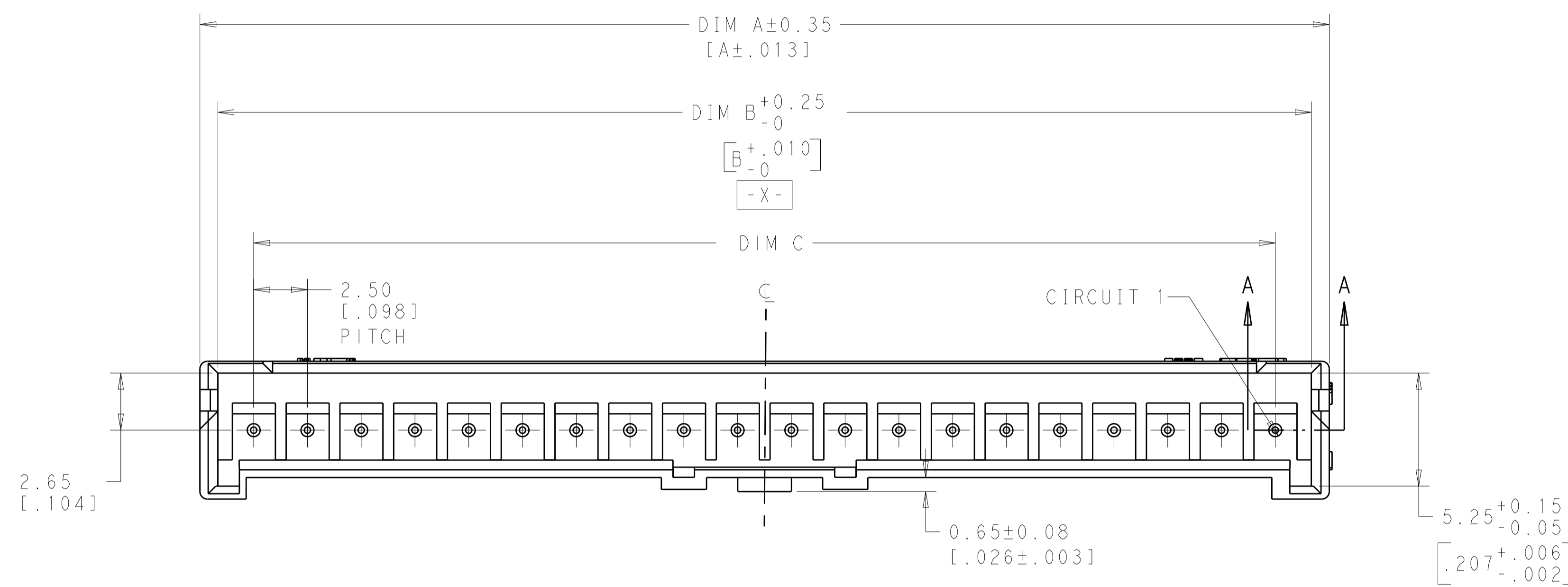


REVISIONS				
P.	LTN	DESCRIPTION	DATE	APPROV
D2		REVISED PER ECR-16-013589	27SEP2016	NK DC

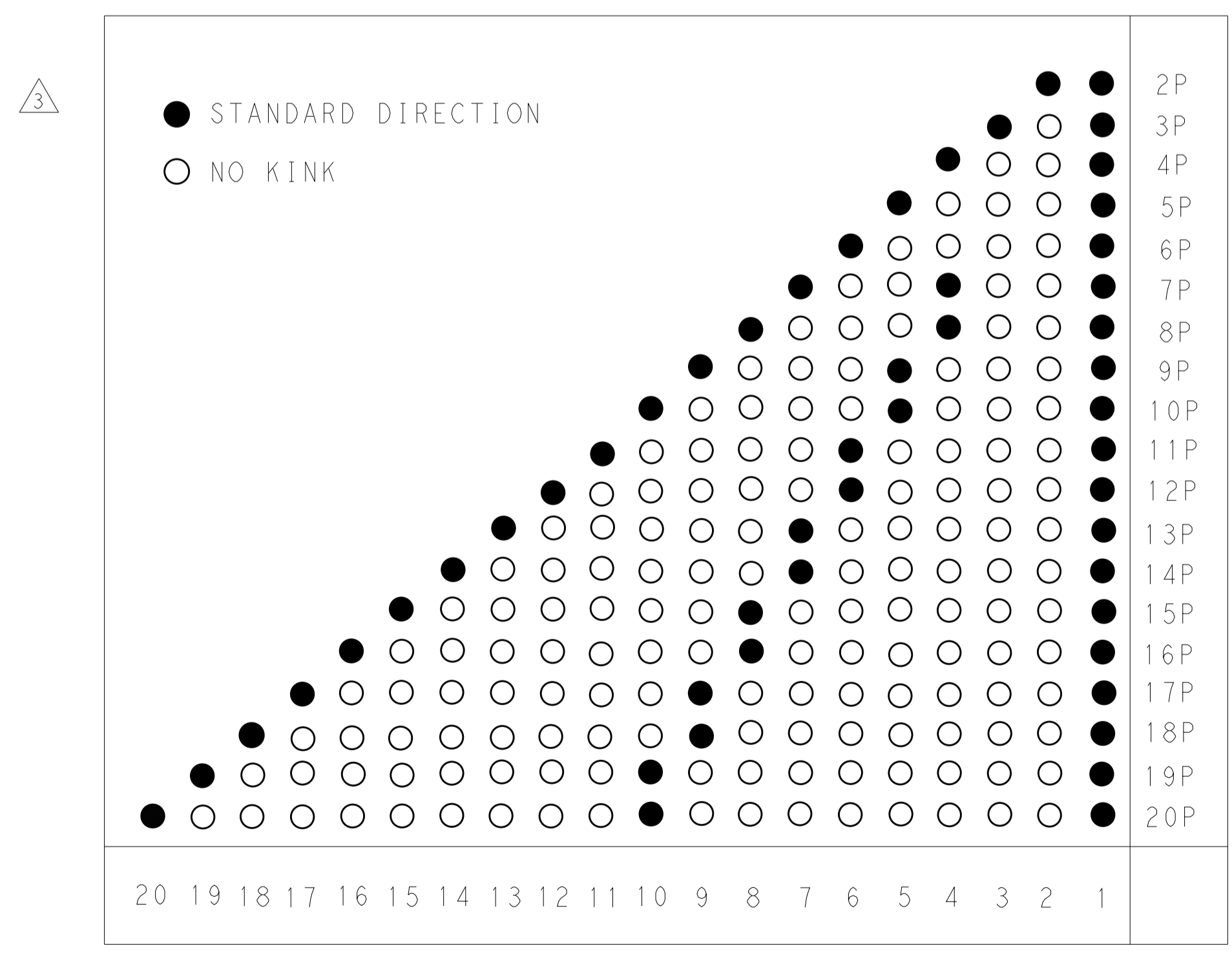
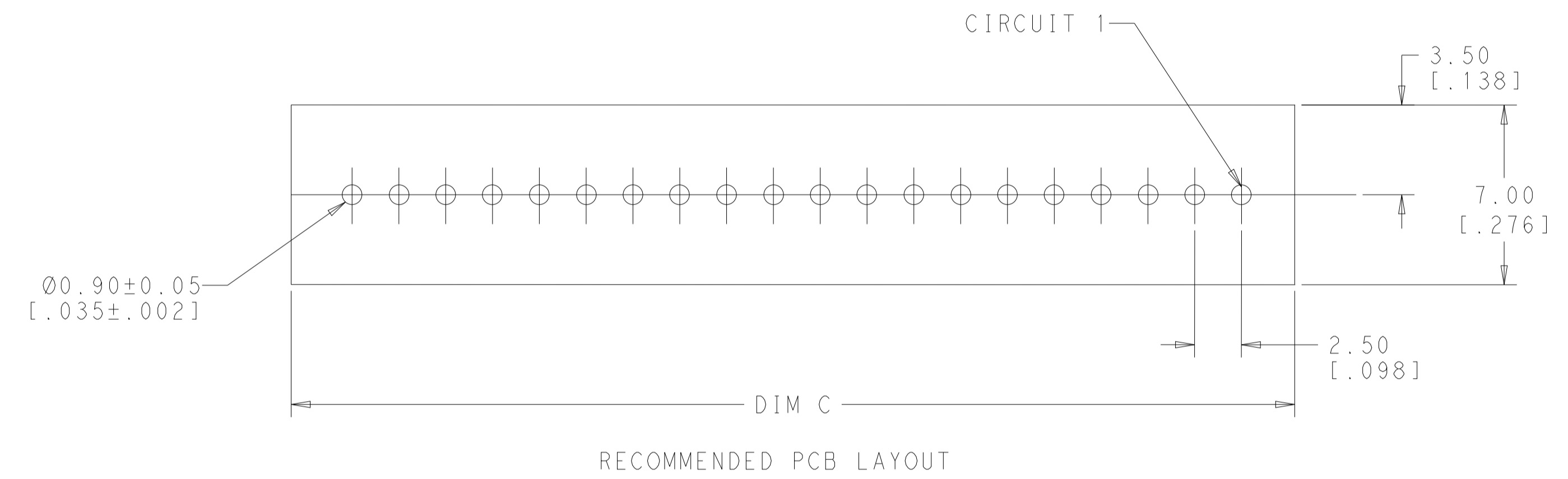
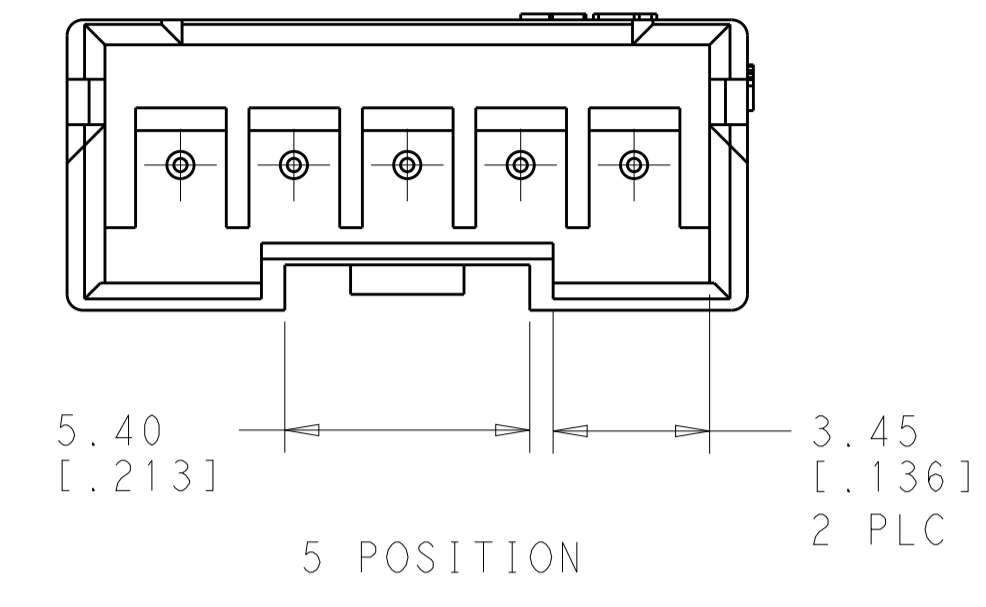
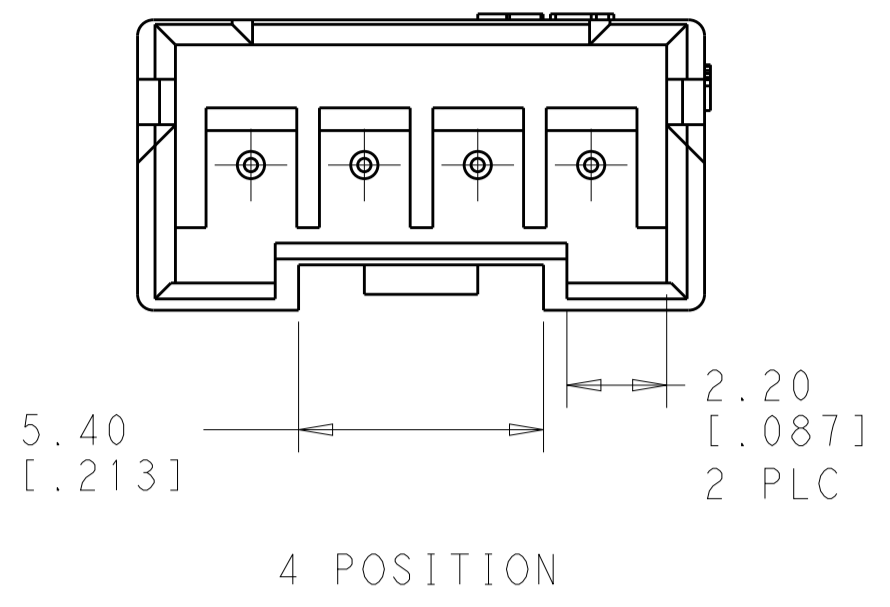
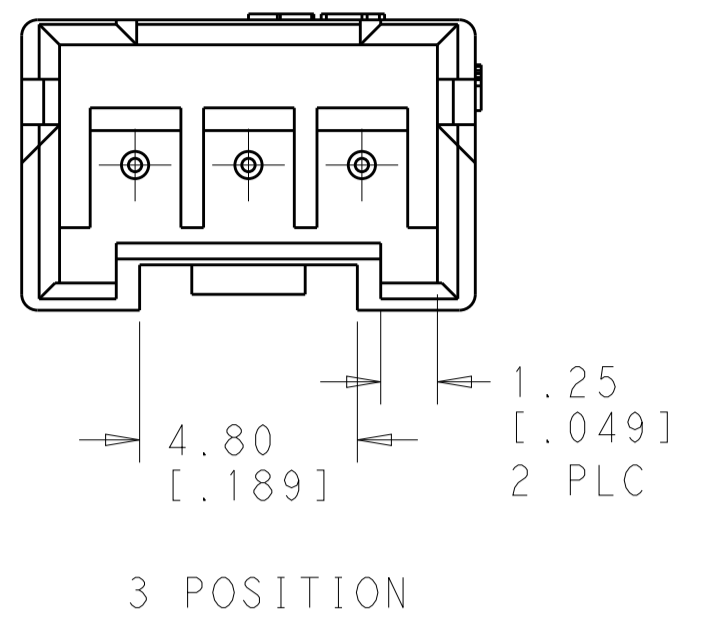
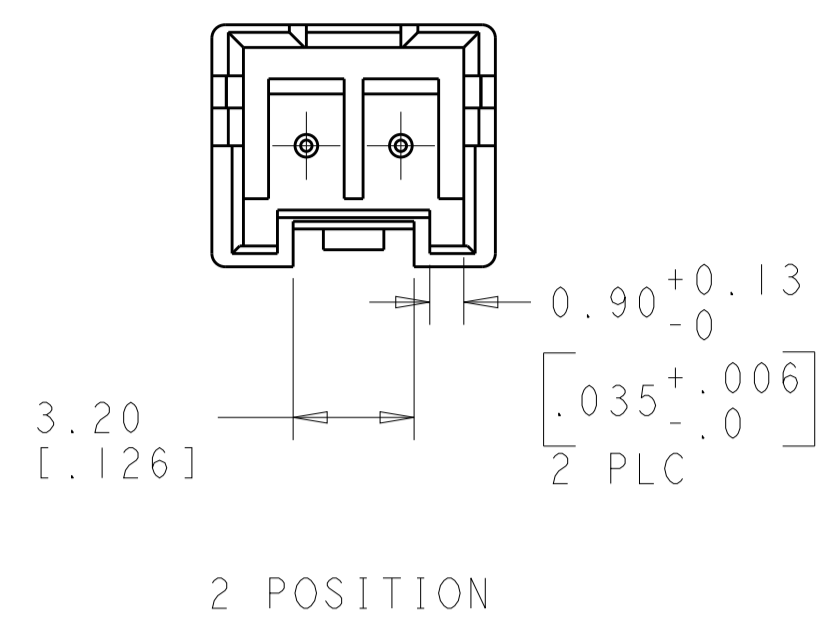


- 1 MATERIAL: HOUSING: NYLON 66, UL94V-0, NATURAL.
CONTACT: BRASS, NICKEL UNDER PLATING,
TIN PLATING ON PIN AREA.
- 2 CONTACT RETENTION: 20 NEWTON [4.5 lbf] MIN.
- 3 CONTACT SOLDER TAIL KINK DIRECTION SEE BELOW TABLE.



THIS DRAWING IS A CONTROLLED DOCUMENT.		DWN: RAGHAVENDRA 06JAN11		TE Connectivity	
DIMENSIONS: mm [INCHES]		CHK: MACE SAMUEL 06JAN11		NAME: HEADER ASSEMBLY, VERTICAL, ECONOMY POWER, 2.5mm CENTERLINE	
TOLERANCES UNLESS OTHERWISE SPECIFIED:		APPR: MACE SAMUEL 06JAN11	PRODUCT SPEC: 108-2418		
0 PLC ± 0.50		PRODUCT SPEC: 108-2418	APPLICATION SPEC: 114-13315		
1 PLC ± 0.30		APPLICATION SPEC: 114-13315	SIZE: A100779C=2132415		
2 PLC ± 0.20		WEIGHT: -	RESTRICTED TO: -		
3 PLC ± 0.10		CUSTOMER DRAWING	SCALE: 6:1 SHEET 1 OF 2 REV: D2		
4 PLC ± 0.05					
ANGLES \pm					
FINISH \pm					

REVISIONS				
P.	LTN	DESCRIPTION	DATE	APP'D
-	-	SEE SHEET 1	-	-



47.50[1.870]	50.83[2.001]	52.50[2.067]	20	2-2132415-0
45.00[1.772]	48.33[1.903]	50.00[1.968]	19	1-2132415-9
42.50[1.673]	45.83[1.804]	47.50[1.870]	18	1-2132415-8
40.00[1.575]	43.33[1.706]	45.00[1.772]	17	1-2132415-7
37.50[1.476]	40.83[1.607]	42.50[1.673]	16	1-2132415-6
35.00[1.378]	38.33[1.510]	40.00[1.575]	15	1-2132415-5
32.50[1.280]	35.83[1.411]	37.50[1.476]	14	1-2132415-4
30.00[1.181]	33.33[1.312]	35.00[1.378]	13	1-2132415-3
27.50[1.083]	30.83[1.214]	32.50[1.280]	12	1-2132415-2
25.00[.984]	28.33[1.115]	30.00[1.181]	11	1-2132415-1
22.50[.886]	25.83[1.016]	27.50[1.083]	10	1-2132415-0
20.00[.787]	23.33[.919]	25.00[.984]	9	2132415-9
17.50[.689]	20.83[.820]	22.50[.886]	8	2132415-8
15.00[.591]	18.33[.722]	20.00[.787]	7	2132415-7
12.50[.492]	15.83[.623]	17.50[.689]	6	2132415-6
10.00[.395]	13.33[.525]	15.00[.591]	5	2132415-5
7.50[.295]	10.83[.426]	12.50[.492]	4	2132415-4
5.00[.197]	8.33[.328]	10.00[.395]	3	2132415-3
2.50[.098]	5.83[.229]	7.50[.295]	2	2132415-2
DIM C	DIM B	DIM A	POS	PART NO

THIS DRAWING IS A CONTROLLED DOCUMENT.

OWN: RAGHAVENDRA 06 JAN 11
CHK: MACE SAMUEL 06 JAN 11
APVD: MACE SAMUEL 06 JAN 11

DIMENSIONS: mm [INCHES]

TOLERANCES UNLESS OTHERWISE SPECIFIED:
0 PLC ±0.50
1 PLC ±0.30
2 PLC ±0.20
3 PLC ±0.10
4 PLC ±.05
ANGLES ±°

MATERIAL: -
FINISH: -

PRODUCT SPEC: 108-2418
APPLICATION SPEC: 114-13315

WEIGHT: -
CUSTOMER DRAWING

NAME: HEADER ASSEMBLY, VERTICAL, ECONOMY POWER, 2.5mm CENTERLINE

SIZE: A1
CAGE CODE: 100779
DRAWING NO: 2132415

RESTRICTED TO: -

SCALE: 6:1
SHEET: 2 OF 2
REV: D2