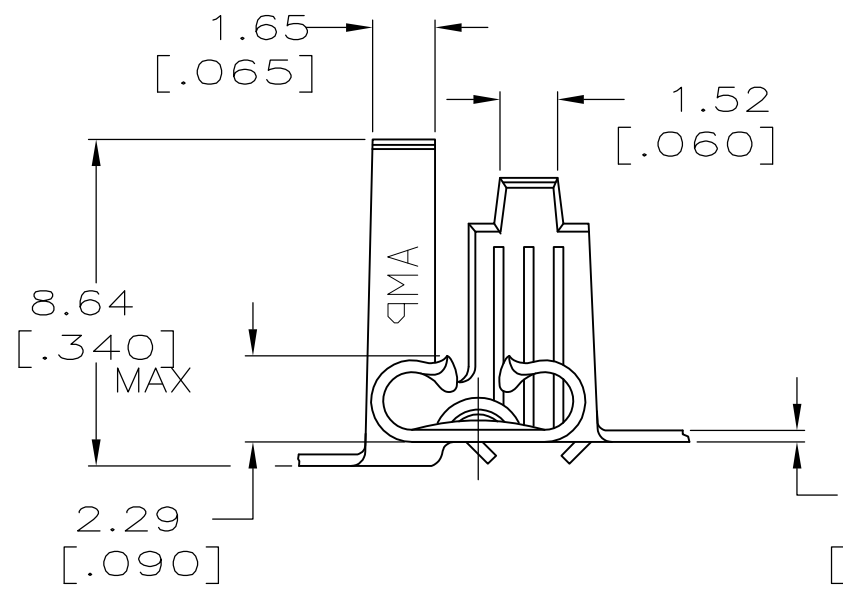
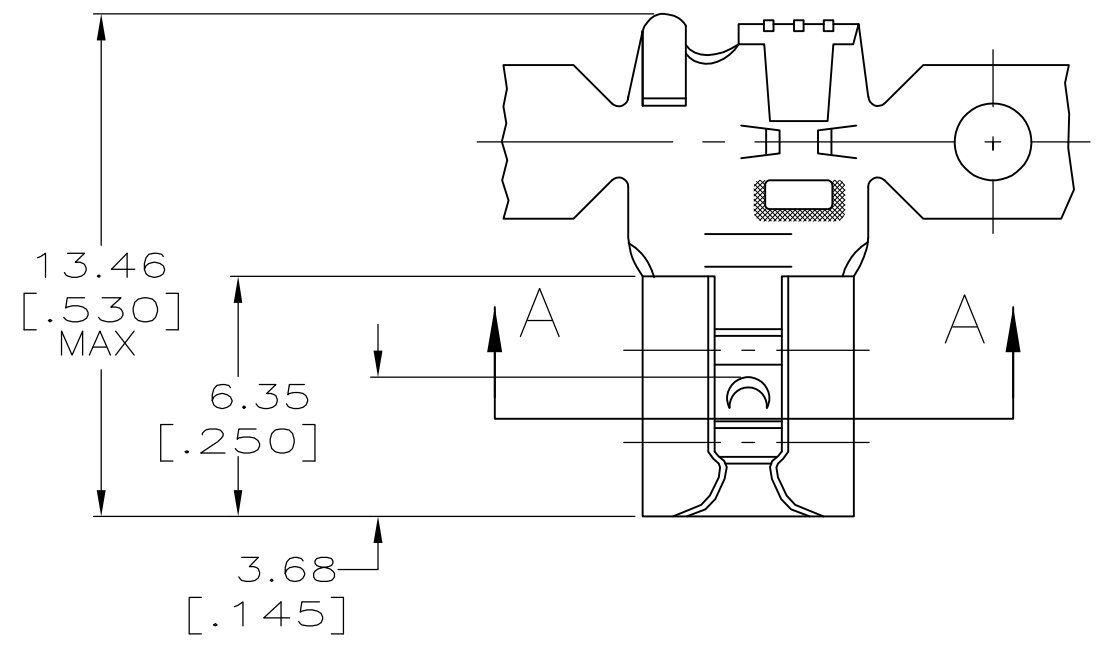
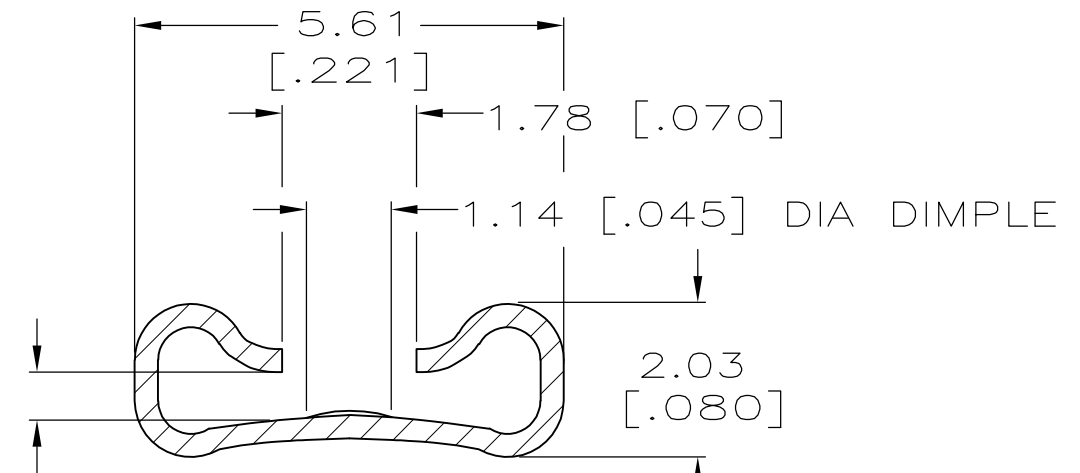


THIS DRAWING IS UNPUBLISHED. RELEASED FOR PUBLICATION
 © COPYRIGHT - By - ALL RIGHTS RESERVED.

REVISIONS				
P	LTR	DESCRIPTION	DATE	APVD
	H1	REVISED PER ECR-16-010719	26JUL2016	LP TD



1 CONTINUOUS STRIP ON REELS.
 △ HIGHER 1ST/6TH RETENTION FORCE



FITS 4.75 [.187] SERIES FASTON TABS

SECTION A-A
 SCALE 10:1

TIN	2.79-4.32	0.5-1.3mm ²	0.81 [.032]	1-60529-2
TIN	[.110-.170] DIA	[20-16]AWG		60529-2
-				60529-1
FINISH	INSULATION RANGE	WIRE SIZE	MATING TAB THK ±0.025 [.001]	PART NO

THIS DRAWING IS A CONTROLLED DOCUMENT.		DWN JR RUTH 11/1/91	STE TE Connectivity	
DIMENSIONS: INCHES		CHK MS FEHER 11/1/91		
TOLERANCES UNLESS OTHERWISE SPECIFIED:		APVD C MEYERS 11/1/91	NAME RECEPTACLE, FASTON, 4.75 [.187] SERIES	
0 PLC ± -		PRODUCT SPEC -	SIZE A3	
1 PLC ± -		APPLICATION SPEC -	CAGE CODE 00779	
2 PLC ± 0.25 [.010]		WEIGHT 0.000000	DRAWING NO C-60529	
3 PLC ± -		CUSTOMER DRAWING	RESTRICTED TO -	
4 PLC ± -			SCALE 5:1	SHEET 1 OF 1
ANGLES ± -				
FINISH SEE TABLE				
MATERIAL BRASS				

