

THIS DRAWING IS UNPUBLISHED.

RELEASED FOR PUBLICATION

© COPYRIGHT -

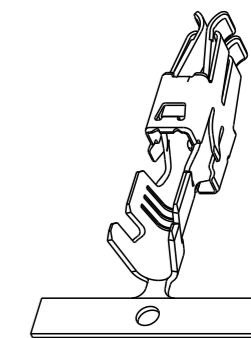
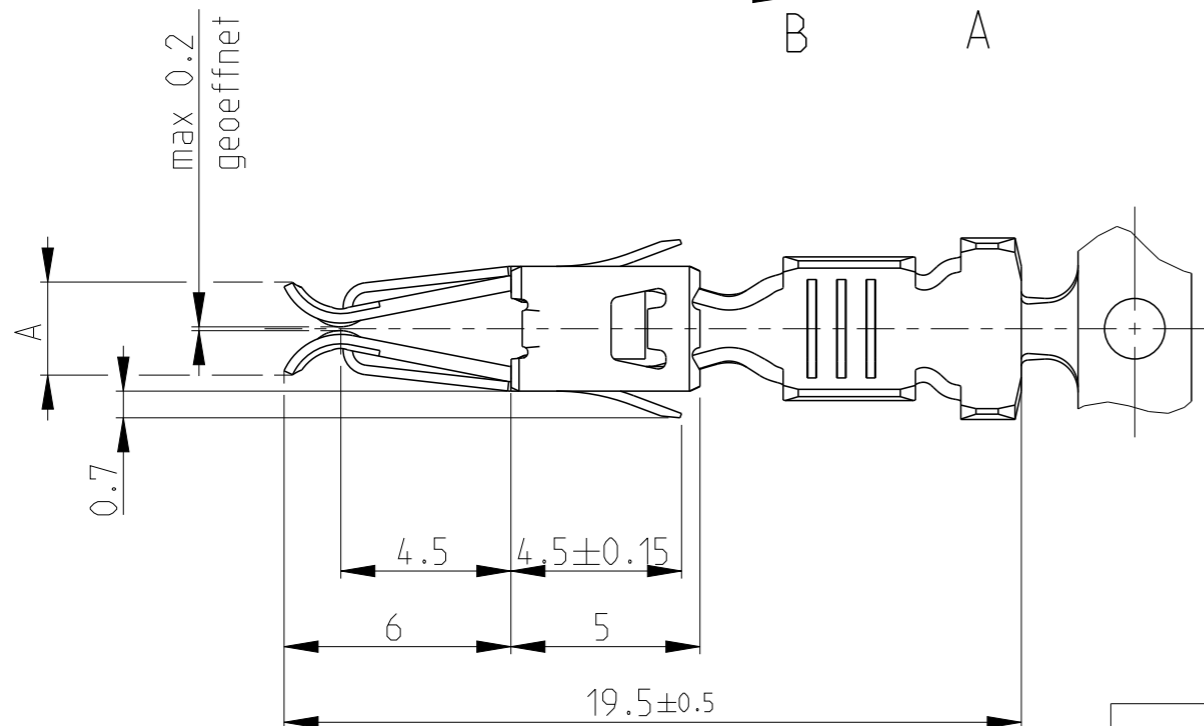
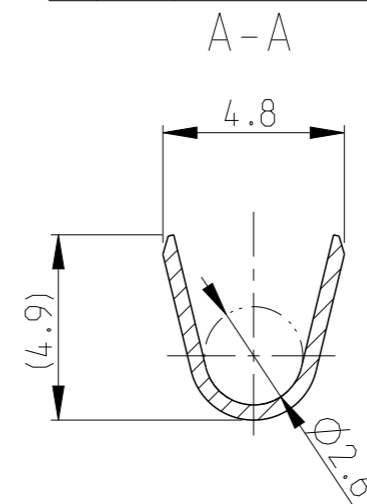
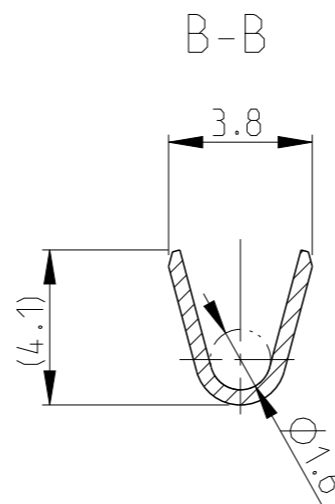
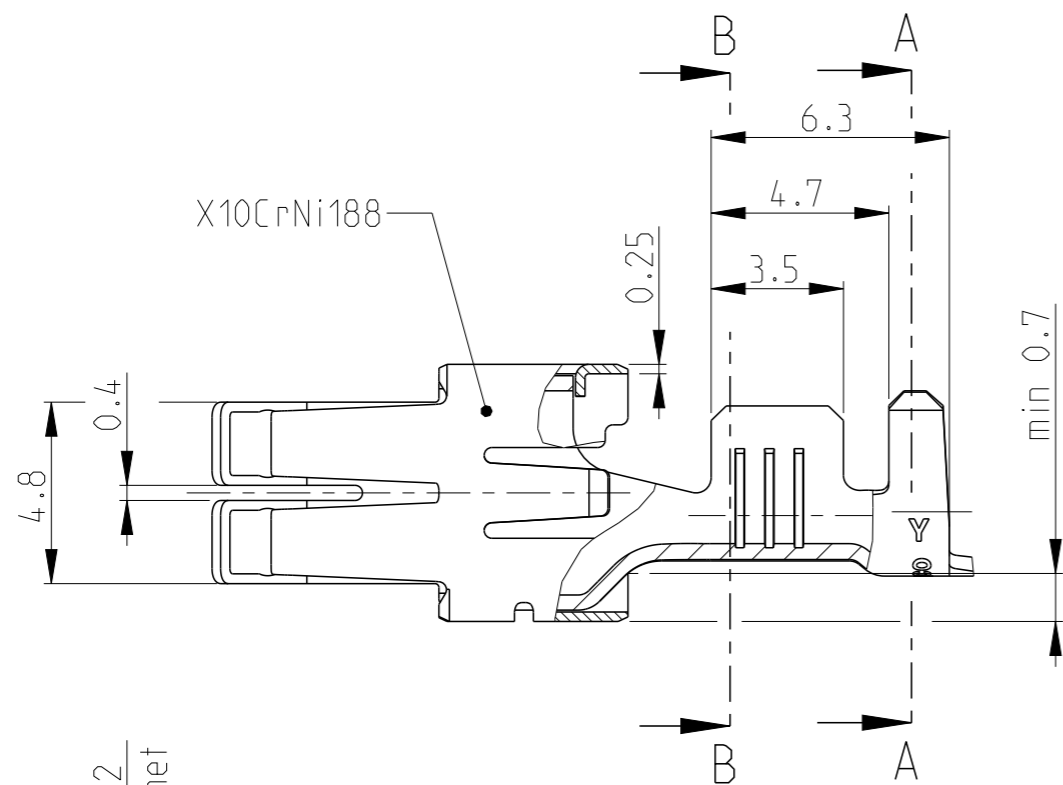
ALL RIGHTS RESERVED.

LOC
A1

DIST
-

REVISIONS

P	LTR	DESCRIPTION	DATE	DWN	APVD
C4		ECR-14-017645	28NOV2014	SK	JS
C5		ECR-16-004045	24MAR2016	KD	RR
C6		ECR-16-010013	19JUL2016	KD	RR
C7		ECR-16-013486	26SEP2016	KD	RR



2:1

Notes

- 1 OBSOLETE
- 2 PRELIMINARY - NOT RELEASED FOR PRODUCTION
- 3 ONLY FOR 3-927833-2 DIMENSION HAVE TO FOLLOW SHEET 2
 - INSULATION RANGE: Ø2.7-3.7
 - INSULATION BARREL DIMENSION

INSUL. RANGE Ø2.2-3.0 mm	WIRE RANGE >1-2.5 mm ²
--------------------------------	---

2.5	1	1241826-5	vorversilbert/PRESILVERED	CuFe2	964203-5	C
2.5	1	1241826-4	vorversilbert/PRESILVERED 1-1.5 µm	CuSn4	964203-4	C
2.5	1	1241826-3	vorversilbert/PRESILVERED 3-4.5 µm	CuSN4	964203-3	C
2.5	1	1241826-2	vorverzinkt/PRETINNED	CuSN4	964203-2	C
2.5	1	1241826-1	vorverzinkt/PRETINNED	CuFe2	964203-1	C
A		LP NO	FINISH	MATERIAL	PART NO.	REV

THIS DRAWING IS A CONTROLLED DOCUMENT.

DIMENSIONS: mm	TOLERANCES UNLESS OTHERWISE SPECIFIED: ±0.2
	0 PLC ± 1 PLC ± 2 PLC ± 3 PLC ± 4 PLC ± ANGLES ±1°
MATERIAL	FINISH

DWN	ATZMANN	06.01.94
CHK	BARTOSCH	18.01.94
APVD	Bleicher, M.	28.11.07
PRODUCT SPEC	108-18025	
APPLICATION SPEC	114-18037	
WEIGHT	0.82 g	



STANDARD POWER TIMER KONTAKT (Gerade Tulpe)

SIZE	CAGE CODE	DRAWING NO	RESTRICTED TO
A3	00779	©=964203	-
Customer Drawing	SCALE	SHEET	REV
	5:1	1 OF 2	C7

THIS DRAWING IS UNPUBLISHED.

RELEASED FOR PUBLICATION

© COPYRIGHT -

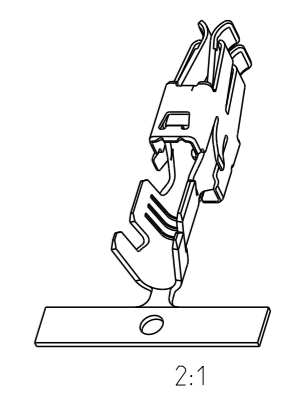
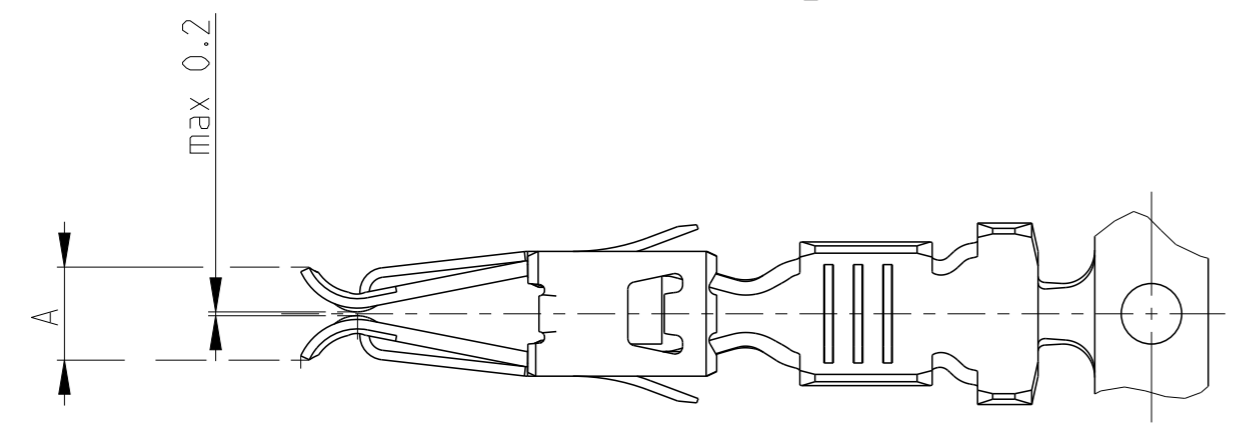
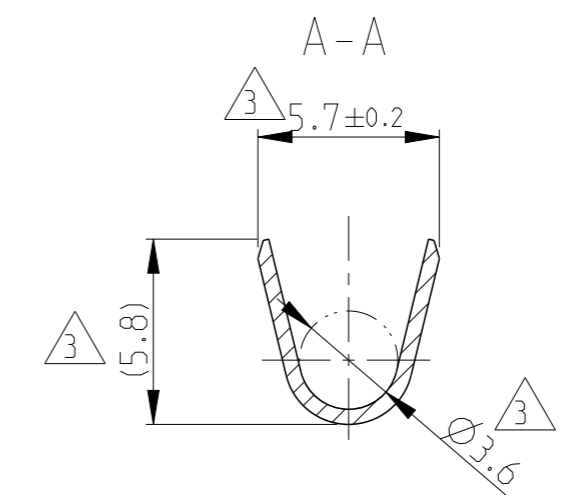
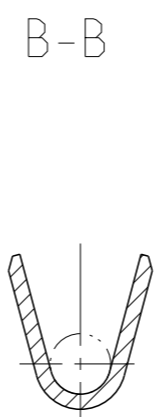
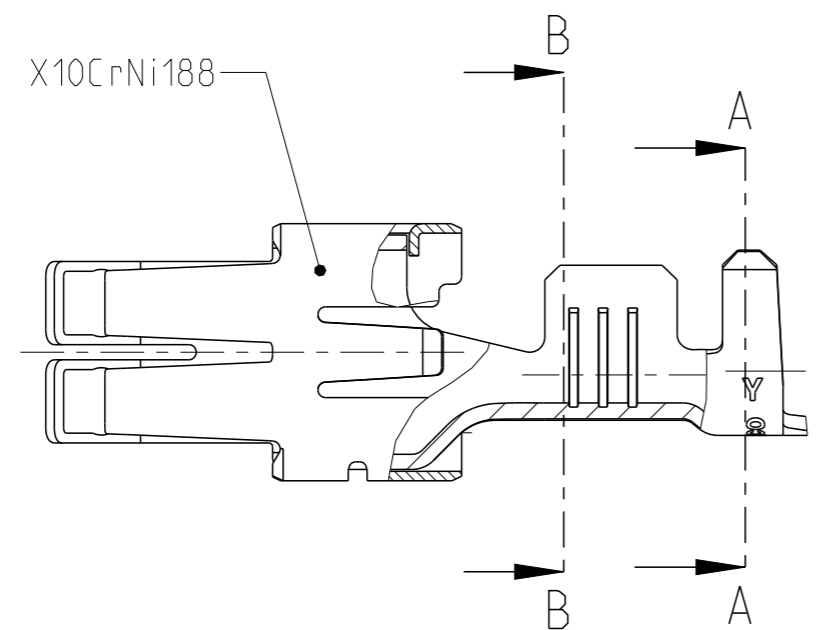
ALL RIGHTS RESERVED.



LOC DIST

REVISIONS

P	LTR	DESCRIPTION	DATE	DWN	APVD
-	-	SEE SHEET 1	-	-	-

ONLY FOR 3-927833-2
OTHER DIMENSIONS SEE SHEET 1



INSUL. RANGE Ø2.7-3.7 mm	WIRE RANGE >1-2.5 mm ²	2.3±0.15	-	PRETINNED	CuSn4	3-927833-2	C			
		A	LP NO	FINISH	MATERIAL	PART NO.	REV			
THIS DRAWING IS A CONTROLLED DOCUMENT.				DWN ATZMANN 06.01.94	 TE Connectivity			NAME STANDARD POWER TIMER KONTAKT (Gerade Tulpe)		
DIMENSIONS: mm		TOLERANCES UNLESS OTHERWISE SPECIFIED:		CHK BARTOSCH 18.01.94						
		0 PLC ± 1 PLC ± 2 PLC ± 3 PLC ± 4 PLC ± ANGLES ±1°		APVD Bleicher, M. 28.11.07	SIZE A3			CAGE CODE 00779	DRAWING NO C=964203	RESTRICTED TO -
MATERIAL -		FINISH -		PRODUCT SPEC 108-18025	WEIGHT 0.82 g			SCALE 5:1	SHEET 2 OF 2	REV C7
Customer Drawing										