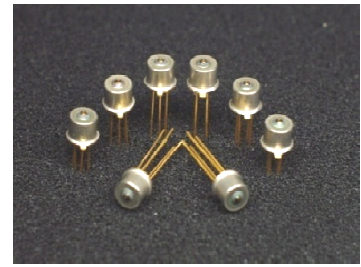


Features

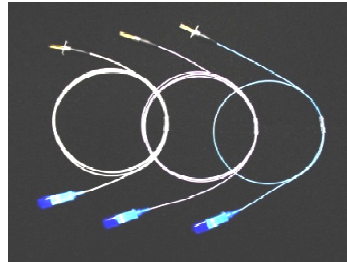
- High speed InGaAs PD with TIA
- High reliability
- -40 to +85°C Operation
- Differential output

Applications

- Optical communications
- Optical LAN
- OE converters



CAN type



Pigtail type



ROSA type

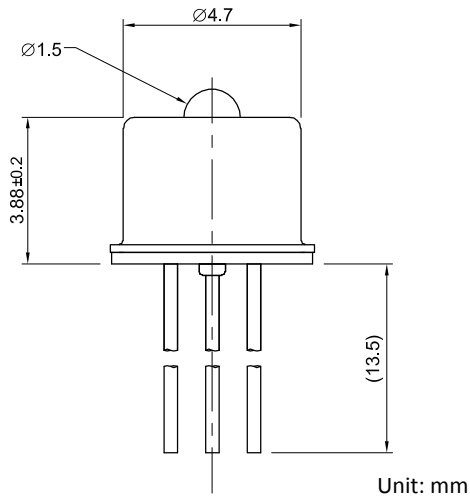
Absolute Maximum Ratings

Parameter	Symbol	Value	Unit	Note
Supply voltage	V_{CC}	4	V	
Maximum optical power input	P_{imax}	5	mW	
Reverse voltage	V_R	15	V	
Operating temperature	T_{opr}	-40 to +85	°C	
Storage temperature	T_{stg}	-40 to +85	°C	

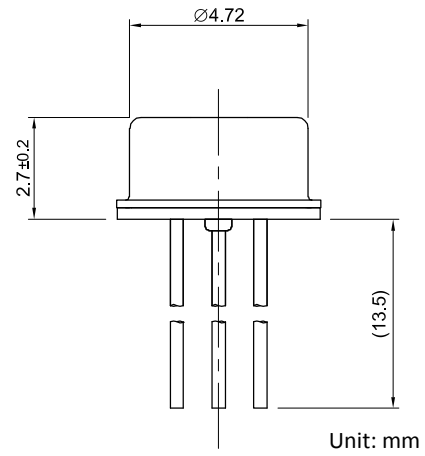
Electrical and Optical Characteristics (Ta=25°C unless otherwise noted)

Parameter	Symbol	Min.	Typ.	Max.	Unit	Test Condition
Operating voltage	V_{op}	3.1	3.3	3.5	V	
Supply current	I_{CC}	-	55	68	mA	-
Bandwidth @-3dB	BW	-	9.0	-	GHz	$P_i = -10\text{dBm}$
Optical sensitivity	P_{imin}	-	-18	-	dBm	BER=10 ⁻¹² with 2 ²³ -1 PRBS at 10Gbps
Optical overload	P_{OL}	+1	+2	-	dBm	BER=10 ⁻¹² with 2 ²³ -1 PRBS at 10Gbps
Transimpedance	Z_t	1.8	2.4	3.0	kΩ	$P_i = -15\text{dBm}$, $\lambda = 1550\text{nm}$, $R_t = 50\Omega$, Differential
Responsivity	R	0.80	0.85	-	A/W	$\lambda = 1310\text{nm}$
		0.85	0.95	-		$\lambda = 1550\text{nm}$

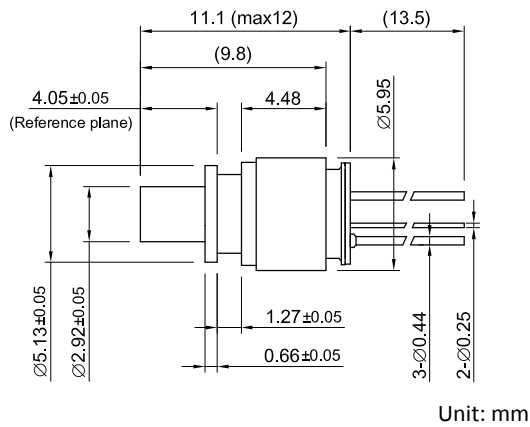
Ball lens type



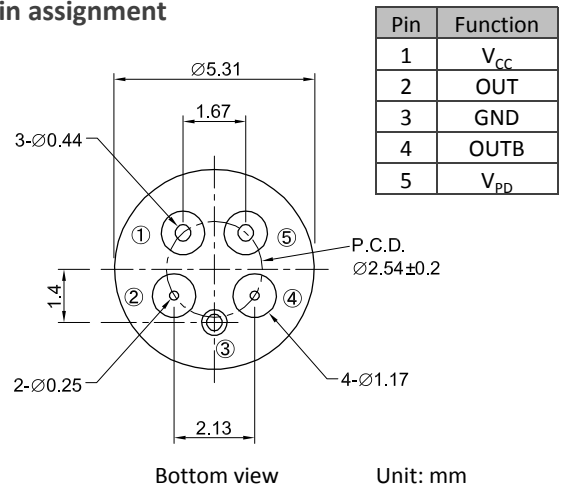
Flat window type



ROSA type

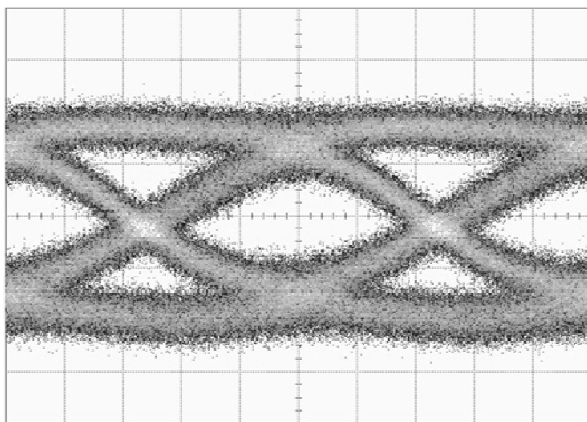


Pin assignment



* Pin assignment may differ in some models.
Please refer to the latest information before use.

Eye Diagram



Hor.:20ps/div, Ver.:7.4mV/div, Pi=-18dBm, λ=1550nm

- Specifications, characteristics, data, materials, structures specified in this datasheet are subject to change without notice. Please refer to the latest specification before use of the products.
- Products listed in this datasheet comply with the RoHS Directive (EU2002/95/EC).

Opto-technologies for the Future



KYOSEMI CORPORATION

<http://www.kyosemi.co.jp/>

Headquarters : 949-2 Ebisucho Fushimi-ku, Kyoto 612-8201 Japan

TEL: +81-75-605-7311

Tokyo Sales Office: 24th Sky Bldg.2F, 1-34-3 Shinjuku Shinjuku-ku, Tokyo 160-0022 Japan

TEL: +81-3-5312-5360

Kansai Sales Office: 949-2 Ebisucho Fushimi-ku, Kyoto 612-8201 Japan

TEL: +81-75-605-7311

Kyosemi Opto America Corp: 4655 Old Ironsides Suite 230 Santa Clara, California 95054 USA

TEL: +1-408-492-9361

Eniwa Operation: 385-31 Toiso Eniwa-shi, Hokkaido 061-1405 Japan

TEL: +81-123-34-3111

Kamisunagawa Operation: 70-1 Kamisunagawa Kamisunagawa-cho Sorachi-gun, Hokkaido 073-0200 Japan

TEL: +81-125-62-3611