

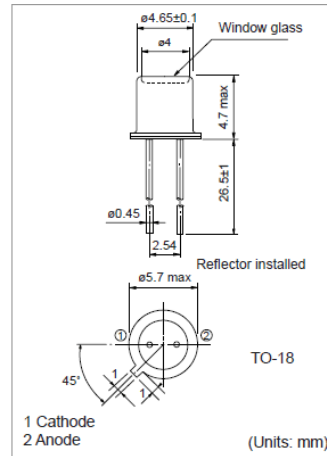
Red LEDs  
**KED354RHD**

**Features**

- High radiancy with a double hetero junction
- Highly reliable hermetic seal
- Flat glass window
- Broad directivity Direct modulation

**Applications**

- Optical switches
- Optical encoders
- Optical instruments
- Automatic control apparatus



**Specifications**

**Absolute Maximum Ratings**

Parameter	Symbol	Value	Unit	Conditions
Forward current	$I_F$	50	mA	$T_a=25$
Peak forward current	$I_{FP}$	0.5	A	Puls width=100 $\mu$ s, Duty ratio=0.1%
Reverse voltage	$V_R$	6	V	
Power dissipation	$P_D$	100	mW	
Operating temperature	$T_{opr}$	-40 to +100		Avoid dew condensation
Storage temperature	$T_{stg}$	-55 to +125		Avoid dew condensation

**Electrical and Optical characteristics**

Parameter	Symbol	Value			Unit	Conditions
		Min.	Typ.	Max		
Forward voltage	$V_F$		1.8	2.3	V	$I_F=20$ mA
Reverse Current	$I_R$			10	$\mu$ A	$V_R=6$ V
Optical output power	$P_O$		3.0		mW	$I_F=20$ mA
Peak wavelength	$\rho$		660		nm	$I_F=20$ mA
Spectral width			20		nm	$I_F=20$ mA
Half angle	2		45		deg	$I_F=20$ mA

