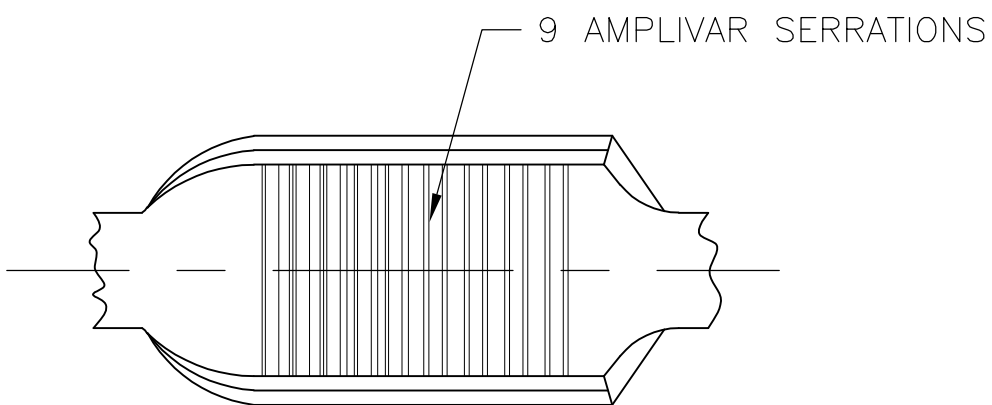
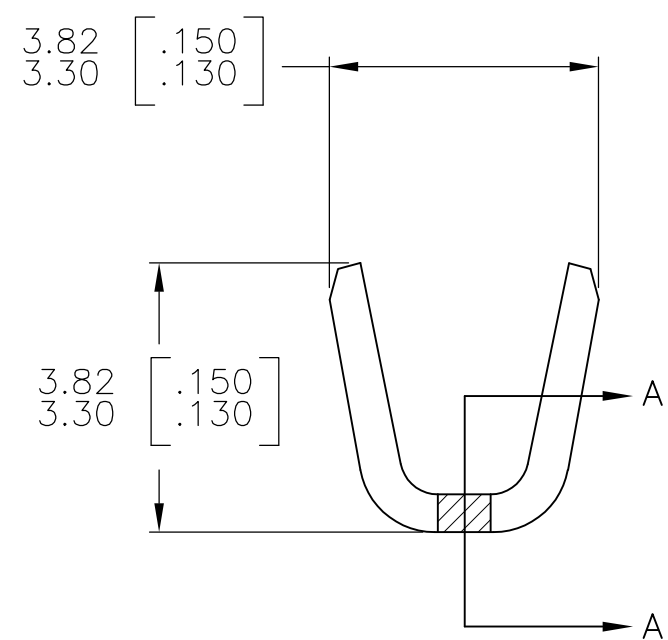
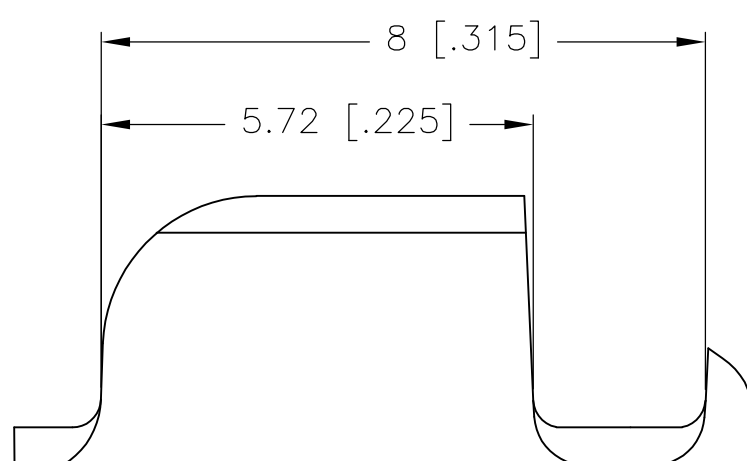


THIS DRAWING IS UNPUBLISHED. RELEASED FOR PUBLICATION
 © COPYRIGHT - By - ALL RIGHTS RESERVED.

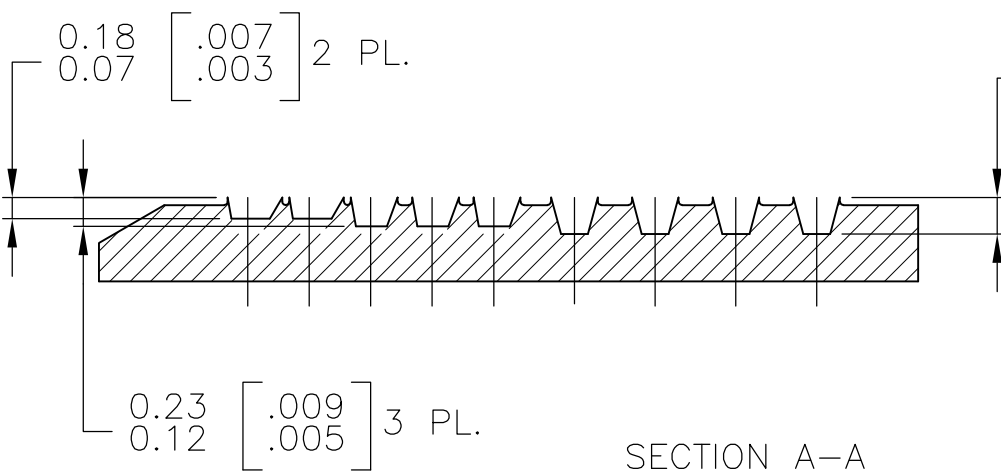
LOC	DIST	REVISIONS					
		P	LTR	DESCRIPTION	DATE	DWN	APVD
AF	50		C3	REVISED PER ECR-14-005944	23APR2014	GRZ	JL



1. PRODUCT PROVIDED IN STRIP FORM ON REELS; BREAKS MAY BE PRESENT.
2. DIMENSIONS IN BRACKETS ARE IN INCHES.
3. CRIMP WIDTH: .110 F (AMPLIVAR TYPE)
 CRIMP HEIGHT (± 0.002) = (TOTAL CMA + 9360) / 190,400
 GENERAL APPLICATION GUIDELINES MUST BE FOLLOWED AS SPECIFIED IN CATALOG # 82221
 FOR APPLICATOR INFORMATION CALL: 1-800-722-1111
 FOR PRODUCT INFORMATION CALL: 1-800-522-6752



NOT FOR USE WITH ALUMINUM MAGNET WIRE,
 USE WITH COPPER MAGNET WIRE ONLY



SECTION A-A
 SCALE 20:1

METRIC

TIN	62304-2
NONE	62304-1
FINISH	PART NO.

THIS DRAWING IS A CONTROLLED DOCUMENT.		DWN RAGHAVENDRA 27JAN06	TE Connectivity	
DIMENSIONS: mm [INCHES]		CHK G.D.PORTA		
TOLERANCES UNLESS OTHERWISE SPECIFIED:		APVD G.D.PORTA	NAME SPLICE, AMPLIVAR 600-3000 CMA	
0 PLC ± -		PRODUCT SPEC		
1 PLC ± -		APPLICATION SPEC	SIZE CAGE CODE DRAWING NO RESTRICTED TO	
2 PLC ± 0.38[.015]		114-2003		
3 PLC ± -		WEIGHT -	A3 00779 C-62304	SCALE 10:1 SHEET 1 OF 1 REV C3
4 PLC ANGLES ± 1°		FINISH SEE TABLE	CUSTOMER DRAWING	
MATERIAL REF 0.51±0.03 [.020±.001] BRASS				