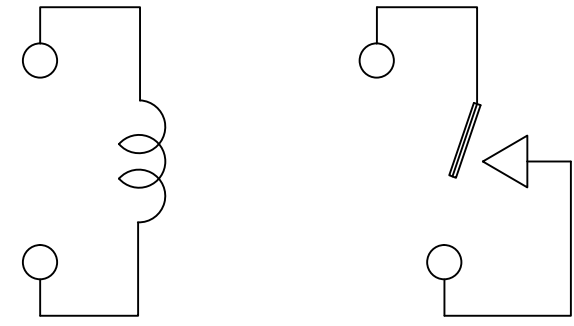
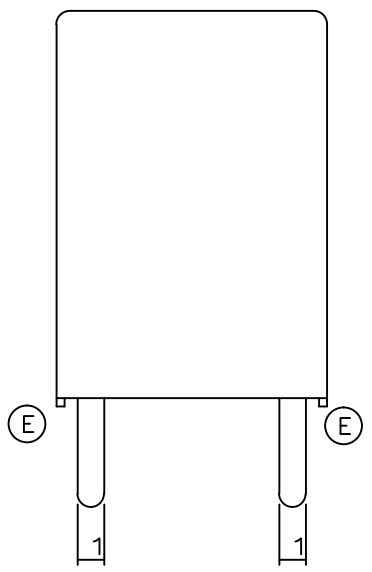
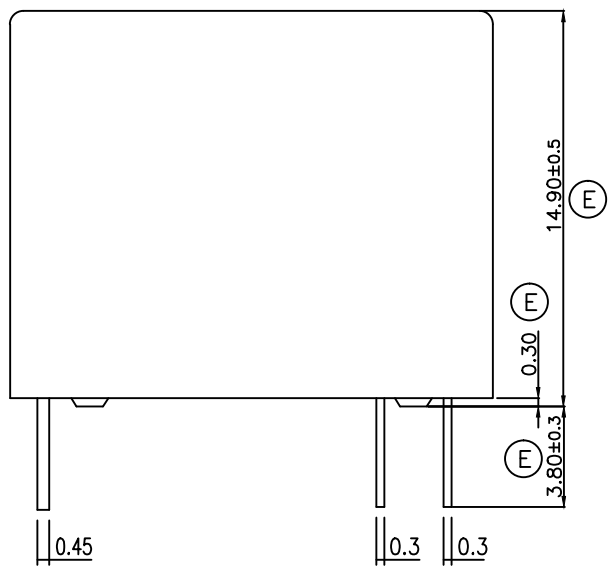
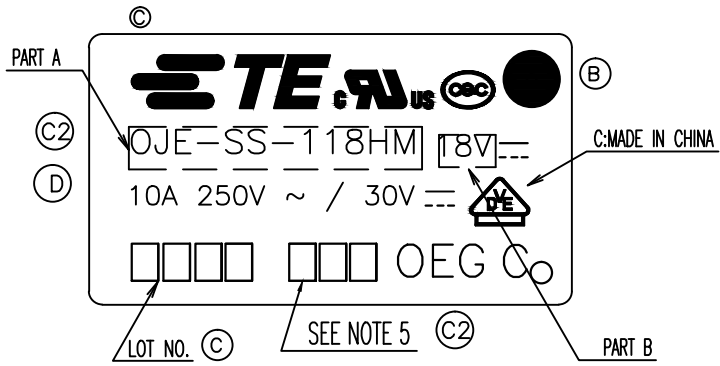


THIS DRAWING IS UNPUBLISHED. RELEASED FOR PUBLICATION
 © COPYRIGHT - By - TE CONNECTIVITY ALL RIGHTS RESERVED.

LOC	DIST	REVISIONS				
P	LTR	DESCRIPTION	DATE	DWN	APVD	
HB	-	E	REMOVED THE RIB ON THE BASE TO CASE ECO-15-011310	19Dec2015	YS.H	CHL



CONNECTION FIGURE

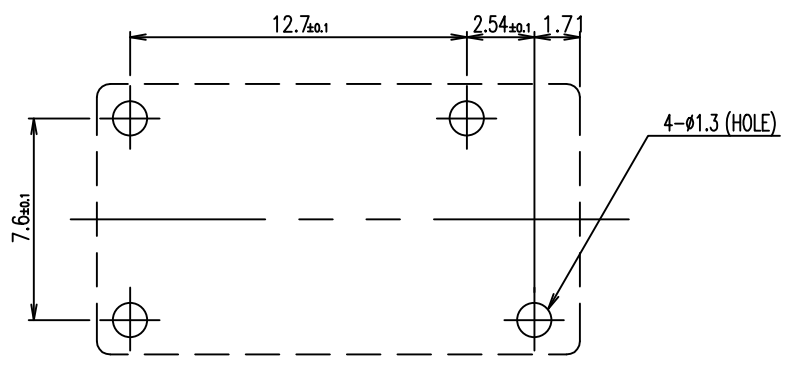
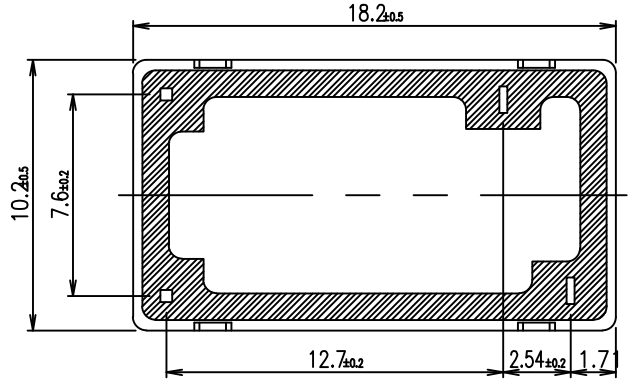


FIGURE FOR PRINTED CIRCUIT BOARD PROCESSING (BOTTOM VIEW)



THIS DRAWING IS A CONTROLLED DOCUMENT.		DWN	H.Sasaki	-	TE TE Connectivity	
DIMENSIONS: mm		CHK	Y.Oikawa	-		
TOLERANCES UNLESS OTHERWISE SPECIFIED:		APVD	A.Nagai	-	NAME	
0 PLC ± -		PRODUCT SPEC	-	-	OJ-SH-HM SPEC,000 CUSTOMER DRAWING	
1 PLC ± -		APPLICATION SPEC	-	-	SIZE	A3
2 PLC ± -		WEIGHT	-	-	CAGE CODE	00779
3 PLC ± -		CUSTOMER DRAWING	-	-	DRAWING NO	1461405
4 PLC ± -		SCALE	5:1	-	SHEET	1 OF 2
ANGLES ± -		RESTRICTED TO	-	-	REV	E
MATERIAL	FINISH					

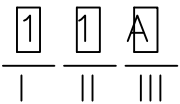
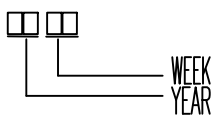
THIS DRAWING IS UNPUBLISHED. RELEASED FOR PUBLICATION -,- .
 © COPYRIGHT - By - TE CONNECTIVITY ALL RIGHTS RESERVED.

LOC	DIST	REVISIONS					
HB	-	P	LTR	DESCRIPTION	DATE	DWN	APVD
		-		SEE SHEET 1	-	-	-

1461405-4	OJ-SH-148HM, 000	107-79010	48V	OJ-SH-148HM	g
1461405-6	OJ-SH-124HM, 000	107-79010	24V	OJ-SH-124HM	f
1461405-5	OJ-SH-112HM, 000	107-79010	12V	OJ-SH-112HM	e
1461405-2	OJ-SH-109HM, 000	107-79010	9V	OJ-SH-109HM	d
1461405-1	OJ-SH-106HM, 000	107-79010	6V	OJ-SH-106HM	c
1461405-3	OJ-SH-105HM, 000	107-79010	5V	OJ-SH-105HM	b
1461405-7	OJ-SH-103HM, 000	107-79010	3V	OJ-SH-103HM	a
PART NO	DESCRIPTION	PACKAGE SPEC.	PART B	PART A	TYPE

Ⓒ
Ⓒ

ⒸⒷ NOTES:
 1.LOT NO. SYSTEM AS FOLLOWING: Ⓒ₂5.ADD LOT NO. SYSTEM AS FOLLOWING;



I, DIGITS FOR DAY OF THE WEEK
 1...MONDAY IN THIS WEEK;
 2...TUESDAY IN THIS WEEK;

 7...SUNDAY IN THIS WEEK
 II, DIGITS FOR SHIFT OF THE DAY
 1...DAY SHIFT IN THIS DAY;
 2...NIGHT SHIFT IN THIS DAY;
 III, ONE CHARACTER DISTINGUISH THE LINE
 IDENTITY,
 SUCH AS: A,B.....Z

- Ⓒ₂ 2.TERMINAL DIMENSION IS BEFORE SOLDER DIP;
- Ⓒ₂ 3.FOR THE TIN-PLATING OF THE PINS:
 +0.1mm FOR WIDTH, THICKNESS AND DIAMETER.
 +0.5mm FOR LENGTH.
- ⒸⒹ₂ 4.MARKING FROM INK TO LASER AND WELDED CONTACT

Diagram dimension	Tolerance
0.99mm max.	±0.1mm
1 - 2.99mm	±0.2mm
3mm min.	±0.3mm

RELAY TYPE

		UV RESIN	SEAL (VENT HOLE)	16
		EPOXY RESIN	SEAL (BASE & BOBBIN)	15
		JUEW	MAGNETIC WIRE	14
94V-0		P.B.T	CASE	13
94V-0		P.B.T	BASE	12
94V-0		P.B.T	BOBBIN	11
	SOLDER DIP	C.P WIRE	COIL TERMINAL	10
94V-0		P.P.S	CARD	9
		Ag ALLOY	MOVABLE CONTACT	8
		Ag	NO.CONTACT	7
		STEEL	HINGE SPRING	6
	SOLDER DIP	PBP	NO.TERMINAL	5
	SOLDER DIP	Cu ALLOY	MOVABLE SPRING	4
	NIP	STEEL	CORE	3
	NIP	STEEL	ARMATURE	2
	NIP	STEEL	YOKE	1
INCOMBUSTIBILITY	TREATMENT	MATERIAL	DESCRIPTION	ITEM

THIS DRAWING IS A CONTROLLED DOCUMENT.		DWN	H.Sasaki	-												
		CHK	Y.Oikawa	-												
		APVD	A.Nagai	-												
DIMENSIONS: mm		PRODUCT SPEC														
TOLERANCES UNLESS OTHERWISE SPECIFIED:		APPLICATION SPEC														
<table border="0"> <tr><td>0 PLC</td><td>± -</td></tr> <tr><td>1 PLC</td><td>± -</td></tr> <tr><td>2 PLC</td><td>± -</td></tr> <tr><td>3 PLC</td><td>± -</td></tr> <tr><td>4 PLC</td><td>± -</td></tr> <tr><td>ANGLES</td><td>± -</td></tr> </table>		0 PLC	± -	1 PLC	± -	2 PLC	± -	3 PLC	± -	4 PLC	± -	ANGLES	± -	WEIGHT		
0 PLC	± -															
1 PLC	± -															
2 PLC	± -															
3 PLC	± -															
4 PLC	± -															
ANGLES	± -															
MATERIAL		CUSTOMER DRAWING														
FINISH		SCALE 5:1 SHEET 2 OF 2 REV E														

TE Connectivity

OJ-SH-HM SPEC,000 CUSTOMER DRAWING

SIZE	CAGE CODE	DRAWING NO	RESTRICTED TO
A3	00779	Ⓒ= 1461405	-