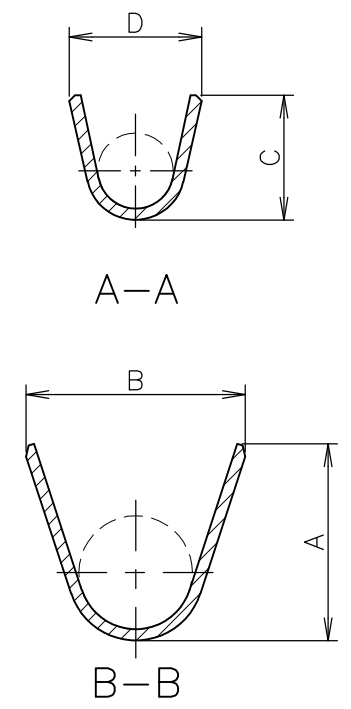
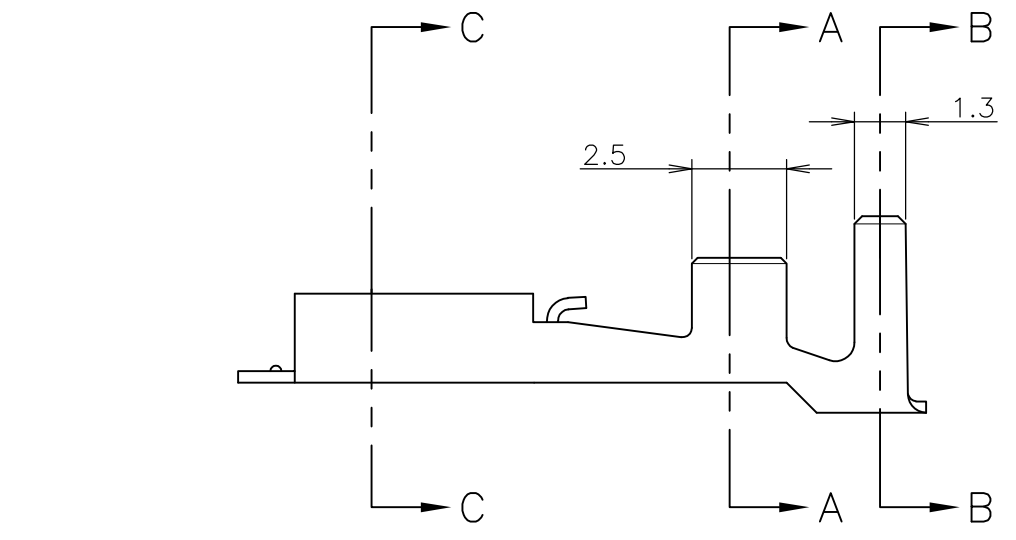
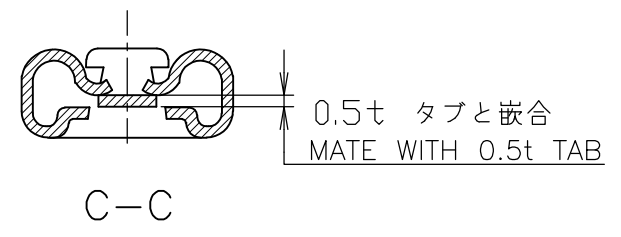
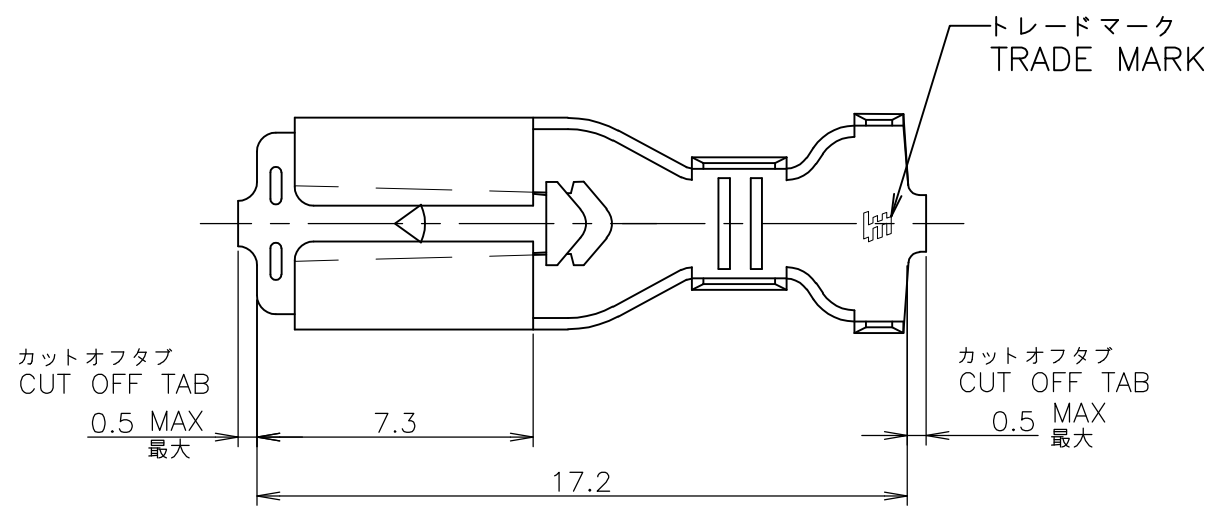


THIS DRAWING IS UNPUBLISHED. RELEASED FOR PUBLICATION MAY, 1999.
 © COPYRIGHT 1999 By - ALL RIGHTS RESERVED.

LOC	DIST	REVISIONS					
J	/	P	LTR	DESCRIPTION	DATE	DWN	APVD
			L2	REVISED PER ECO-16-002900	1MAR2016	HG	TD



- 1, -5, -7; AS SHOWN
- 1 運用スリーブ型番: 174737
 - 2 取扱い説明書: 411-5391
 - 3 手動工具型番: 911588-1
 - 4 材料: 錫めっき済み黄銅 (0.3t)
 - 5 材料: 錫めっき済み磷青銅 (0.3t)
-
- 1 APPLICABLE SLEEVE P/N: 174737
 - 2 INSTRUCTION SHEET NO: 411-5391
 - 3 HAND TOOL NO.: 911588-1
 - 4 MATERIAL: PRE-TIN BRASS (0.3t)
 - 5 MATERIAL: PRE-TIN PHOS BRO (0.3t)
 - 6 ADD SEPERATED PACKAGING PAPER OUTSIDE OF THE REELING

AWG #20-#14	3.5	3.3	5.8	5.2	108-5236	4	173725-1	10, INCH PAPER REEL	2232976-1
AWG #20-#18	2.8	2.7	4.3	4.2	108-5236	4	173725-7	10, INCH PAPER REEL	173724-7
AWG #20-#14	3.5	3.3	4.3	4.2	108-5685	5		10, INCH PAPER REEL	173724-5
	3.5	3.3	5.8	5.2	108-5236	4	173725-1	10, INCH PAPER REEL	173724-1
WIRE RANGE	D	C	B	A	PRODUCT SPEC 製品規格	MATERIAL 材料	L.P.NO. ばら状端子型番	REEL SIZE	P/N 型番

WIRE RANGE 抱合電線断面積 AWG #20-#14 0.5~2.2 mm²
 INSULATION DIA 被覆外径 1.9~4.4 mm ϕ

GENERAL TOLERANCE 一般公差
 10 \geq : ± 0.2
 30 \geq > 10: ± 0.25
 100 \geq > 30: ± 0.3
 ANGLES: $\pm 3^\circ$

THIS DRAWING IS A CONTROLLED DOCUMENT.

DIMENSIONS: 単位: 耗 mm

TOLERANCES UNLESS OTHERWISE SPECIFIED: 一般公差

0 PLC \pm
 1 PLC \pm
 2 PLC \pm
 3 PLC \pm
 4 PLC \pm
 ANGLES \pm

MATERIAL 表参照 材料 SEE TABLE

FINISH 仕上

DWN M.SUZUKI 10MAY1999
 CHK M.SHINDO 10MAY1999
 APVD M.SHINDO 10MAY1999

PRODUCT SPEC 表参照
 製品規格 SEE TABLE

APPLICATION SPEC
 取付適用規格 114-5114

WEIGHT

STE TE Connectivity

187 SERIES POSITIVE LOCK-EX
 187 シリーズ ポジティブ ブロック-EX リセブタクル

NAME 名称

SIZE A3 CAGE CODE 00779 DRAWING NO 番号 C=173724 RESTRICTED TO

CUSTOMER DRAWING SCALE 尺度 5:1 SHEET 1 OF 1 REV L2