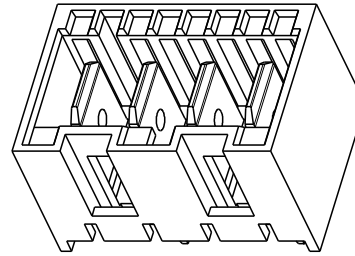
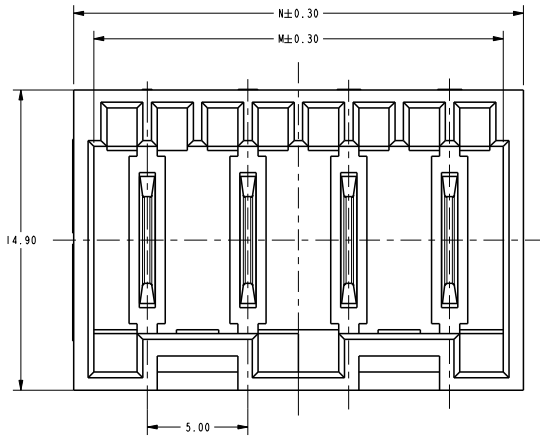
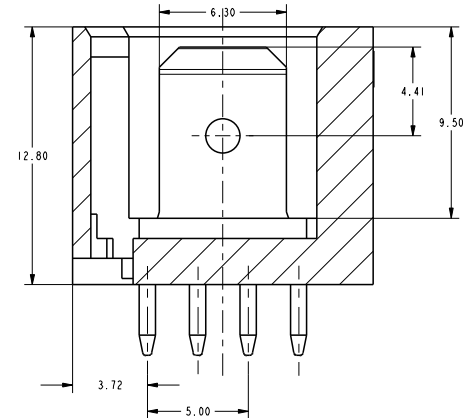
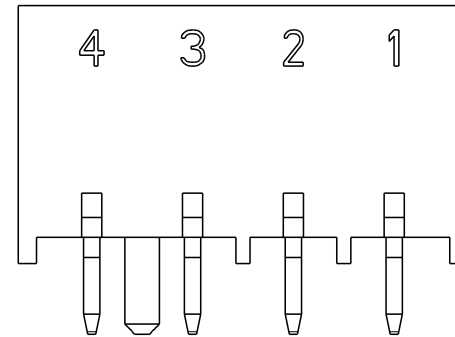
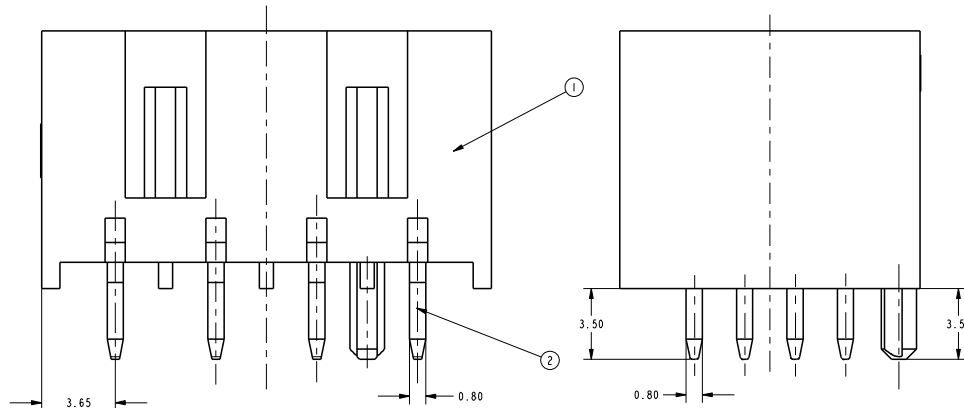


REV	DATE	DESCRIPTION	BY	CHKD	APPD
A19	ECR-16-012945				

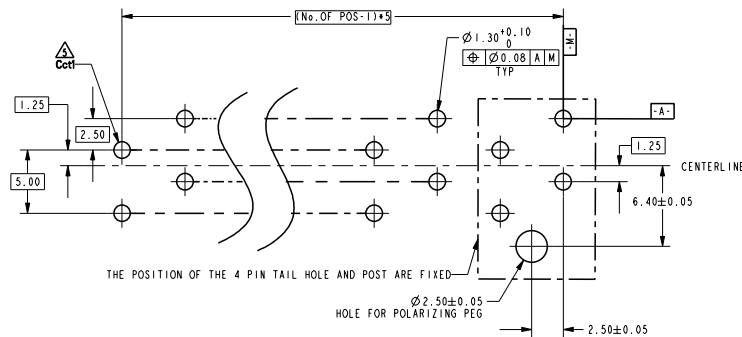


NOTE

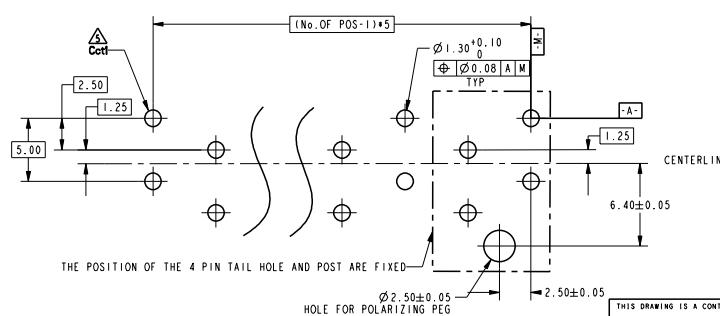
- HOUSING HAS RAST 5 COMPLIANT KEYING, LATCHING, AND POLARIZATION TAB IS 6.30 X 0.8 ACCORDING TO DIN 46244
 - SEE SHEET 2 FOR AVAILABLE CONFIGURATIONS
 - MATERIAL: HOUSING, NYLON, UL94 V0, 750°C GWI NO FLAME CONTACT, COPPER ALLOY, 0.8MM THICK
 - FINISH: CONTACTS, MATT TIN PLATING OVERALL, NICKEL UNDER-PLATING BRIGHT TIN PLATING OVERALL, NICKEL UNDER-PLATING SILVER PLATING OVERALL, NICKEL UNDER-PLATING
- ⚠ PCB TABS INSERTED IN A STAGGERED PATTERN BEGINNING WITH POSITION 1 (C_C+1)
- ⚠ THE PART NUMBERS SHOWING IN SHEET 2 & 3 & 4 & 5 ARE FOR NATURAL COLOR. THE PART NUMBER FOR OTHER COLOR ARE BASED ON THE NATURAL ONE. FOR THE SAME CONFIGURATION, THE PREFIX AND POSTFIX OF THE P/N ARE THE SAME. ONLY THE BASE NUMBER IS DIFFERENT ACCORDING TO DIFFERENT COLOR. DETAIL PLEASE SEE SHEET 6
- 7 PACKAGING: LOOSE PIECE OR TUBE. THE PART NUMBERS IN THIS DRAWING ARE WITH LOOSE PIECE PACKAGING. PLEASE CONTACT TE SALES REPRESENTATIVES FOR TUBE PACKAGING REQUIREMENT.
- ⚠ PRELIMINARY PART, NOT RELEASED FOR PRODUCTION.
- ⚠ FOR P/N: 2-1971895-4:
 1) THE CONTACTS ARE WITH BRIGHT TIN PLATING.
 2) INSERTION FORCE MATING WITH 4P MONO SHAPE MK1 CONNECTOR: 85N MAX ACCORDING TO IEC 60512-13-1, Test 13a.
- ⚠ FOR P/N: 5-1971845-8, 2-1971845-6 AND 6-1971845-5:
 1) THE CONTACTS ARE WITH BRIGHT TIN PLATING.
- ⚠ PART NUMBERS WITH TUBE PACKAGING



SECTION A-A



RECOMMEND PCB LAYOUT - SOLDER SIDE
 EVEN NUMBER OF PINS
 PCB 16±0.2 THICK



RECOMMEND PCB LAYOUT - SOLDER SIDE
 ODD NUMBER OF PINS
 PCB 16±0.2 THICK

N	M	NO. OF POS.
42.30	40.30	8
37.30	35.30	7
32.30	30.30	6
27.30	25.30	5
22.30	20.30	4
17.30	15.30	3
12.30	10.30	2

THIS DRAWING IS A CONTROLLED DOCUMENT.

DATE	21JAN2013	REV	00
DESIGNED BY	CHEN	CHKD BY	CHEN
APPROVED BY	CHEN	DATE	21JAN2013

TE Connectivity
RAST 5 TAB HEADER ASSY
 DIN STYLE, TH, VERTICAL

STL: 00779
 DRAWING NO: 1971845
 SCALE: 8:1
 SHEET: 1 OF 6

LOC	REV	DATE	DESCRIPTION	DATE	BY	APP
ES	00		SEE SHEET 1			

color	QTY	②	QTY	①	NO. OF POS.	TE PART NO.
RED	8	TAB CONTACT MATT TIN PLATING (5-1971845-8, 6-1971845-5 AND 2-1971845-6 ARE WITH BRIGHT TIN)	I	RAST 5 TAB HEADER HOUSING, 8P. (SEE THE DETAIL LAYOUT ON SHEET 5)	8	6-1971845-8
	△ 5-1971845-8 △					
	4-1971845-8					
	3-1971845-8					
natural	7		I	RAST 5 TAB HEADER HOUSING, 7P. (SEE THE DETAIL LAYOUT ON SHEET 5)	7	2-1971845-8
		1-1971845-8				
		1971845-8				
		1971946-7				
		1971895-7				
		9-1971845-7				
		8-1971845-7				
		7-1971845-7				
		6-1971845-7				
		5-1971845-7				
		4-1971845-7				
		3-1971845-7				
		2-1971845-7				
		1-1971845-7				
		1971845-7				
		1-1971895-6				
		1971895-6				
		9-1971845-6				
		8-1971845-6				
		7-1971845-6				
		6-1971845-6				
		5-1971845-6				
		4-1971845-6				
		3-1971845-6				
		2-1971845-6 △				
		1-1971845-6				
		1971845-6				
		1971954-5				
		1-1971895-5				
		1971895-5				
		9-1971845-5				
		8-1971845-5				
		7-1971845-5				
		6-1971845-5 △				
		5-1971845-5				
		4-1971845-5				
		3-1971845-5				
		2-1971845-5				
		1-1971845-5				
		1971845-5				
BLUE	5		I	RAST 5 TAB HEADER HOUSING, 6P. (SEE THE DETAIL LAYOUT ON SHEET 5)	6	1971845-5
		1971845-5				
		1-1971895-5				
		9-1971845-5				
		8-1971845-5				
		7-1971845-5				
		6-1971845-5 △				
		5-1971845-5				
		4-1971845-5				
		3-1971845-5				
		2-1971845-5				
		1-1971845-5				
		1971845-5				
		1971845-5				
		1-1971895-2				
		1971895-2				
		9-1971845-2				
		8-1971845-2				
		7-1971845-2				
		6-1971845-2				
		5-1971845-2				
		4-1971845-2				
		3-1971845-2				
		2-1971845-2				
		1-1971845-2				
		1971845-2				
		1971845-2				
		6-1971895-2				
		5-1971895-2				
		4-1971895-2				
		3-1971895-2				
		2-1971895-2				
		1-1971895-2				
		1971895-2				
		9-1971845-2				
		8-1971845-2				
		7-1971845-2				
		6-1971845-2				
		5-1971845-2				
		4-1971845-2				
		3-1971845-2				
		2-1971845-2				
		1-1971845-2				
		1971845-2				
		1971845-2				
		6-1971895-2				
		5-1971895-2				
		4-1971895-2				
		3-1971895-2				
		2-1971895-2				
		1-1971895-2				
		1971895-2				
		9-1971845-3				
		8-1971845-3				
		7-1971845-3				
		6-1971845-3				
		5-1971845-3				
		4-1971845-3				
		3-1971845-3				
		2-1971845-3				
		1-1971845-3				
		1971845-3				
		1971895-3				
		9-1971845-3				
		8-1971845-3				
		7-1971845-3				
		6-1971845-3				
		5-1971845-3				
		4-1971845-3				
		3-1971845-3				
		2-1971845-3				
		1-1971845-3				
		1971845-3				
		1971895-3				
		9-1971845-3				
		8-1971845-3				
		7-1971845-3				
		6-1971845-3				
		5-1971845-3				
		4-1971845-3				
		3-1971845-3				
		2-1971845-3				
		1-1971845-3				
		1971845-3				
		1971895-3				
		9-1971845-3				
		8-1971845-3				
		7-1971845-3				
		6-1971845-3				
		5-1971845-3				
		4-1971845-3				
		3-1971845-3				
		2-1971845-3				
		1-1971845-3				
		1971845-3				
		1971895-3				
		9-1971845-3				
		8-1971845-3				
		7-1971845-3				
		6-1971845-3				
		5-1971845-3				
		4-1971845-3				
		3-1971845-3				
		2-1971845-3				
		1-1971845-3				
		1971845-3				
		1971895-3				
		9-1971845-3				
		8-1971845-3				
		7-1971845-3				
		6-1971845-3				
		5-1971845-3				
		4-1971845-3				
		3-1971845-3				
		2-1971845-3				
		1-1971845-3				
		1971845-3				
		1971895-3				
		9-1971845-3				
		8-1971845-3				
		7-1971845-3				
		6-1971845-3				
		5-1971845-3				
		4-1971845-3				
		3-1971845-3				
		2-1971845-3				
		1-1971845-3				
		1971845-3				
		1971895-3				
		9-1971845-3				
		8-1971845-3				
		7-1971845-3				
		6-1971845-3				
		5-1971845-3				
		4-1971845-3				
		3-1971845-3				
		2-1971845-3				
		1-1971845-3				
		1971845-3				
		1971895-3				
		9-1971845-3				
		8-1971845-3				
		7-1971845-3				
		6-1971845-3				
		5-1971845-3				
		4-1971845-3				
		3-1971845-3				
		2-1971845-3				
		1-1971845-3				
		1971845-3				
		1971895-3				
		9-1971845-3				
		8-1971845-3				
		7-1971845-3				
		6-1971845-3				
		5-1971845-3				
		4-1971845-3				
		3-1971845-3				
		2-1971845-3				
		1-1971845-3				
		1971845-3				
		1971895-3				
		9-1971845-3				
		8-1971845-3				
		7-1971845-3				
		6-1971845-3				
		5-1971845-3				
		4-1971845-3				
		3-1971845-3				
		2-1971845-3				
		1-1971845-3				
		1971845-3				
		1971895-3				
		9-1971845-3				
		8-1971845-3				
		7-1971845-3				
		6-1971845-3				
		5-1971845-3				
		4-1971845-3				
		3-1971845-3				
		2-1971845-3				
		1-1971845-3				
		1971845-3				
		1971895-3				
		9-1971845-3				
		8-1971845-3				
		7-1971845-3				
		6-1971845-3				
		5-1971845-3				
		4-1971845-3				
		3-1971845-3				
		2-1971845-3				
		1-1971845-3				
		1971845-3				
		1971895-3				
		9-1971845-3				
		8-1971845-3				
		7-1971845-3				
		6-1971845-3				
		5-1971845-3				
		4-1971845-3				
		3-1971845-3				
		2-1971845-3				
		1-1971845-3				
		1971845-3				
		1971895-3				
		9-1971845-3				
		8-1971845-3				
		7-1971845-3				
		6-1971845-3				
		5-1971845-3				
		4-1971845-3				
		3-1971845-3				
		2-1971845-3				
		1-1971845-3				
		1971845-3				
		1971895-3				
		9-1971845-3				
		8-1971845-3				
		7-1971845-3				
		6-1971845-3				
		5-1971845-3				
		4-1971845-3				
		3-1971845-3				
		2-1971845-3				
		1-1971845-3				
		1971845-3				
		1971895-3				
		9-1971845-3				
		8-1971845-3				
		7-1971845-3				
		6-1971845-3				
		5-1971845-3				
		4-1971845-3				
		3-1971845-3				
		2-1971845-3				
		1-1971845-3				
		1971845-3				
		1971895-3				
		9-1971845-3				
		8-1971845-3				
		7-1971845-3				
		6-1971845-3				
		5-1971845-3				
		4-1971845-3				
		3-1971845-3				
		2-1971845-3				
		1-1971845-3				
		1971845-3				
		1971895-3				
		9-1971845-3				
		8-1971845-3				
		7-1971845-3				
		6-1971845-3				
		5-1971845-3				
		4-1971845-3				
		3-1971845-3				
		2-1971845-3				
		1-1971845-3				
		1971845-3				
		1971895-3				
		9-1971845-3				
		8-1971845-3				
		7-1971845-3				
		6-1971845-3				
		5-1971845-3				
		4-1971845-3				
		3-1971845-3				
		2-1971845-3				
		1-1971845-3				
		1971845-3				
		1971895-3				
		9-1971845-3				
		8-1971845-3				
		7-1971845-3				
		6-1971845-3				
		5-1971845-3				
		4-1971845-3				
		3-1971845-3				
		2-1971845-3				
		1-1971845-3				
		1971845-3				
		1971895-3				
		9-1971845-3				
		8-1971845-3				
		7-1971845-3				
		6-1971845-3				
		5-1971845-3				
		4-1971845-3				
		3-1971845-3				
		2-1971845-3				
		1-1971845-3				
		1971845-3				
		1971895-3				
		9-1971845-3				
		8-1971845-3				
		7-1971845-3				
		6-1971845-3				
		5-1971845-3				
		4-1971845-3				
		3-1971845-3				
		2-1971845-3				
		1-1971845-3				

LOC	QTY	REV	DESCRIPTION	DATE	BY	APP
ES	00		SEE SHEET 1			

color	QTY	②	QTY	①	NO. OF POS.	TE PART NO.
natural	8	TAB CONTACT w/ SILVER PLATING	I	RAST 5 TAB HEADER HOUSING, 8P, NATURE (SEE THE DETAIL LAYOUT ON SHEET 5)	8	6-1971846-8
	5-1971846-8					
	4-1971846-8					
	3-1971846-8					
natural	7	TAB CONTACT w/ SILVER PLATING	I	RAST 5 TAB HEADER HOUSING, 7P, NATURE (SEE THE DETAIL LAYOUT ON SHEET 5)	7	2-1971846-8
						1-1971846-8
						1971846-8
						1971896-7
						9-1971846-7
						8-1971846-7
						7-1971846-7
						6-1971846-7
						5-1971846-7
						4-1971846-7
natural	6	TAB CONTACT w/ SILVER PLATING	I	RAST 5 TAB HEADER HOUSING, 6P, NATURE (SEE THE DETAIL LAYOUT ON SHEET 5)	6	3-1971846-7
						2-1971846-7
						1-1971846-7
						1971846-7
						1-1971896-6
						1971896-6
						9-1971846-6
						8-1971846-6
						7-1971846-6
						6-1971846-6
natural	5	TAB CONTACT w/ SILVER PLATING	I	RAST 5 TAB HEADER HOUSING, 5P, NATURE (SEE THE DETAIL LAYOUT ON SHEET 4)	5	5-1971846-6
						4-1971846-6
						3-1971846-6
						2-1971846-6
						1-1971846-6
						1971846-6
						1971896-5
						9-1971846-5
						8-1971846-5
						7-1971846-5

color	QTY	②	QTY	①	NO. OF POS.	TE PART NO.
natural	4	TAB CONTACT w/ SILVER PLATING	I	RAST 5 TAB HEADER HOUSING, 4P, NATURE (SEE THE DETAIL LAYOUT ON SHEET 4)	4	1-2298031-4
						9-1971896-4
						7-1971896-4
						6-1971896-4
natural	3	TAB CONTACT w/ SILVER PLATING	I	RAST 5 TAB HEADER HOUSING, 3P, NATURE (SEE THE DETAIL LAYOUT ON SHEET 4)	3	5-1971896-4
						4-1971896-4
						3-1971896-4
						2-1971896-4
						1-1971896-4
						1971896-4
						9-1971846-4
						8-1971846-4
						7-1971846-4
						6-1971846-4
natural	2	TAB CONTACT w/ SILVER PLATING	I	RAST 5 TAB HEADER HOUSING, 2P, NATURE (SEE THE DETAIL LAYOUT ON SHEET 4)	2	5-1971846-4
						4-1971846-4
						3-1971846-4
						2-1971846-4
						1-1971846-4
						1971846-4
						4-1971896-3
						3-1971896-3
						2-1971896-3
						1-1971896-3

THIS DRAWING IS A CONTROLLED DOCUMENT. DATE: 21Jan2013

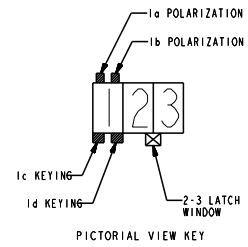
TE Connectivity

RAST 5 TAB HEADER ASSY
DIN STYLE, TH, VERTICAL

00779 1971845

CUSTOMER DRAWING

REV	DATE	DESCRIPTION	BY	CHK	APP
00	ES	SEE SHEET 1			



THIS DRAWING IS A CONTROLLED DOCUMENT.		REV	21JAN2013	TE Connectivity RAST 5 TAB HEADER ASSY DIN STYLE, TH, VERTICAL
DATE	21JAN2013	CHK	21JAN2013	
BY	21JAN2013	APP	21JAN2013	SITE / CAGE CODE / DRAWING NO. A / 00779 / 1971845
PRODUCT SPEC	APPLICATION SPEC	REPORT	CUSTOMER DRAWING	
MATERIAL		SCALE	N/A	RESTRICTED TO
		SHEET	4 of 6	REV A 19

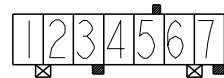
LOC	REV	DATE	DESCRIPTION	BY	CHKD	APPD
ES	00		SEE SHEET 1			



1971845-6
1971846-6



1971895-6
1971896-6



1971845-7
1971846-7



1971895-7
1971896-7



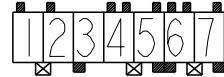
1971845-8
1971846-8



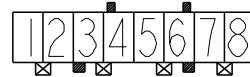
1-1971845-6
1-1971846-6



1-1971895-6
1-1971896-6



1-1971845-7
1-1971846-7



1-1971845-8
1-1971846-8



2-1971845-6
2-1971846-6



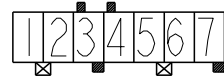
2-1971845-7
2-1971846-7



2-1971845-8
2-1971846-8



3-1971845-6
3-1971846-6



3-1971845-7
3-1971846-7



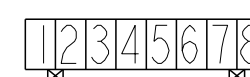
3-1971845-8
3-1971846-8



4-1971845-6
4-1971846-6



4-1971845-7
4-1971846-7



4-1971845-8
4-1971846-8



5-1971845-6
5-1971846-6



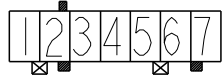
5-1971845-7
5-1971846-7



5-1971845-8
5-1971846-8



6-1971845-6
6-1971846-6



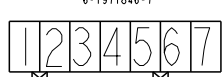
6-1971845-7 1971946-7
6-1971846-7



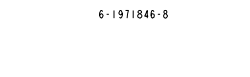
6-1971845-8
6-1971846-8



7-1971845-6
7-1971846-6



7-1971845-7
7-1971846-7



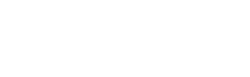
7-1971845-8
7-1971846-8



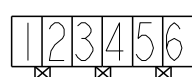
8-1971845-6
8-1971846-6



8-1971845-7
8-1971846-7



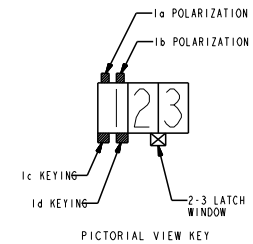
8-1971845-8
8-1971846-8



9-1971845-6
9-1971846-6



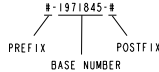
9-1971845-7
9-1971846-7



THIS DRAWING IS A CONTROLLED DOCUMENT.		REV	21JAN2013		TE Connectivity
DRAWING NO.		CHK	21JAN2013		RAST 5 TAB HEADER ASSY DIN STYLE, TH, VERTICAL
DIMENSIONS		DATE		SCALE	
mm		21JAN2013		N/A	
TOLERANCES UNLESS OTHERWISE SPECIFIED:		PARTS		DRAWING NO.	
0.150 ±0.025 0.250 ±0.025 0.500 ±0.025 1.000 ±0.025 1.500 ±0.025 2.000 ±0.025 3.000 ±0.025 4.000 ±0.025 5.000 ±0.025 6.000 ±0.025 7.000 ±0.025 8.000 ±0.025 9.000 ±0.025 10.000 ±0.025 12.000 ±0.025 15.000 ±0.025 20.000 ±0.025 25.000 ±0.025 30.000 ±0.025 40.000 ±0.025 50.000 ±0.025 60.000 ±0.025 70.000 ±0.025 80.000 ±0.025 90.000 ±0.025 100.000 ±0.025 120.000 ±0.025 150.000 ±0.025 200.000 ±0.025 250.000 ±0.025 300.000 ±0.025 400.000 ±0.025 500.000 ±0.025 600.000 ±0.025 700.000 ±0.025 800.000 ±0.025 900.000 ±0.025 1000.000 ±0.025		PRODUCT SPEC		DRAWING NO.	
		APPLICATION SPEC		1971845	
MATERIAL		REPORT		RESTRICTED TO	
		CUSTOMER DRAWING		A 100779	
		SCALE		SHEET 5 of 6	
		N/A		REV A 19	

LOC	REV	DESCRIPTION	DATE	BY	APP
ES	00	SEE SHEET 1	-	-	-

FOR ANY KEYING CONFIGURATION, THERE ARE EIGHT COLORS AVAILABLE. BESIDES THE NATURAL COLOR, THERE ARE OTHER SEVEN COLORS, INCLUDE: YELLOW, BLUE, GREY, PURPLE, RED, GREEN, BLACK. THE WHITE VERSION IS PRELIMINARY. THE P/N OF THE COLOR CONNECTOR ARE BASED ON THE NATURAL CONNECTOR, THE PREFIX AND POSTFIX ARE THE SAME FOR THE SAME KEYING CONFIGURATION, BUT THE BASE NUMBERS ARE DIFFERENT ACCORDING TO DIFFERENT COLOR. THE FOLLOWING SHOWS WHAT'S THE P/N FOR COLOR CONNECTOR



COLOR	PART NUMBER OF THE CONNECTOR				COMMENTS
	WITH MATT TIN PLATING CONTACT SPECIAL P/N: 2-1971895-4, 2-1971845-6, 6-1971845-5 AND 5-1971845-8 ARE WITH BRIGHT TIN	WITH AG PLATING CONTACT			
NATURAL	#-1971845-#	#-1971895-#	#-1971846-#	#-1971896-#	THE DETAIL P/N FOR DIFFERENT KEYING SEE SHEET 2-5
RED	#-1971946-#	#-1971948-#	#-1971947-#	#-1971949-#	THE PREFIX AND POSTFIX ARE THE SAME WITH THE P/N OF THE NATURAL CONNECTOR FOR THE SAME KEYING, POLARIZATION, LATCH WINDOW CONFIGURATION. JUST THE BASE NUMBERS ARE DIFFERENT BASED ON DIFFERENT COLOR. # CAN BE THE NUMBER FROM 0 TO 9. BUT THERE ARE TWO EXEMPTION PART NUMBERS, 1971954-5 (BLUE) AND 1971946-7 (RED).
BLUE	#-1971954-#	#-1971956-#	#-1971955-#	#-1971957-#	
YELLOW	#-2232008-#	#-2232010-#	#-2232009-#	#-2232011-#	
BLACK	#-2232000-#	#-2232002-#	#-2232001-#	#-2232003-#	
GREY	#-2232016-#	#-2232018-#	#-2232017-#	#-2232019-#	
GREEN	#-1971962-#	#-1971964-#	#-1971963-#	#-1971965-#	
PURPLE	#-2232024-#	#-2232026-#	#-2232025-#	#-2232027-#	
WHITE	#-2232289-#	#-2232291-#	#-2232290-#	#-2232292-#	

THERE ARE TWO EXEMPTION FOR COLOR PART NUMBERS

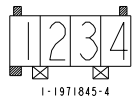


1971954-5 (BLUE)



1971946-7 (RED)

FOR EXAMPLE, IF A CONNECTOR WITH THE CONFIGURATION AS BELOW, AND WITH MATT TIN PLATING CONTACT, IN THE SHEET 4, WE CAN FIND THE RELATED CONNECTOR P/N WITH NATURAL COLOR IS 1-1971845-4, THEN WE CAN LOOK IN THE ABOVE TABLE TO FIND THE CONNECTOR P/N WITH RED COLOR IS 1-1971946-3



1-1971845-4

COLOR	PART NUMBER OF THE CONNECTOR		COMMENTS
	WITH BRIGHT TIN PLATING CONTACT		
NATURAL	#-2232906-#	#-2232907-#	THE KEYING, POLARIZATION AND LATCH WINDOW CONFIGURATION ARE SAME AS THE MATT TIN CONNECTOR WITH THE SAME PREFIX AND POSTFIX FOR EACH COLOR. FOR EXAMPLE: 2232906-4 AND 1971845-4 HAVE SAME KEYING, POLARIZATION AND LATCH WINDOW CONFIGURATION. 2232907-4 AND 1971895-4 HAVE SAME KEYING, POLARIZATION AND LATCH WINDOW CONFIGURATION. THE DETAIL KEYING, POLARIZATION AND LATCH WINDOW CONFIGURATION FOR EACH P/N, PLEASE SEE SHEET 2-5
RED	#-2232908-#	#-2232909-#	
BLUE	#-2232910-#	#-2232911-#	
YELLOW	#-2232912-#	#-2232913-#	
BLACK	#-2232914-#	#-2232915-#	
GREY	#-2232916-#	#-2232917-#	
GREEN	#-2232918-#	#-2232919-#	
PURPLE	#-2232920-#	#-2232921-#	
WHITE	#-2232922-#	#-2232923-#	

THIS DRAWING IS A CONTROLLED DOCUMENT.		REV: WRP 21JAN2013	TE Connectivity RAST 5 TAB HEADER ASSY DIN STYLE, TH, VERTICAL
DIMENSIONAL SPECIFICATIONS:		CH: HAPYE WU 21JAN2013	
DIMENSIONAL SPECIFICATIONS:		APP: JIOM 21JAN2013	PRODUCT SPEC: 108-108000 APPLICATION SPEC:
MATERIAL:		STEEL	CASE CODE: 00779 DRAWING NO: 1971845 RESTRICTED TO: Customer Drawing
FINISH:		SCALE: 8:1	SHEET: 6 OF 6 19