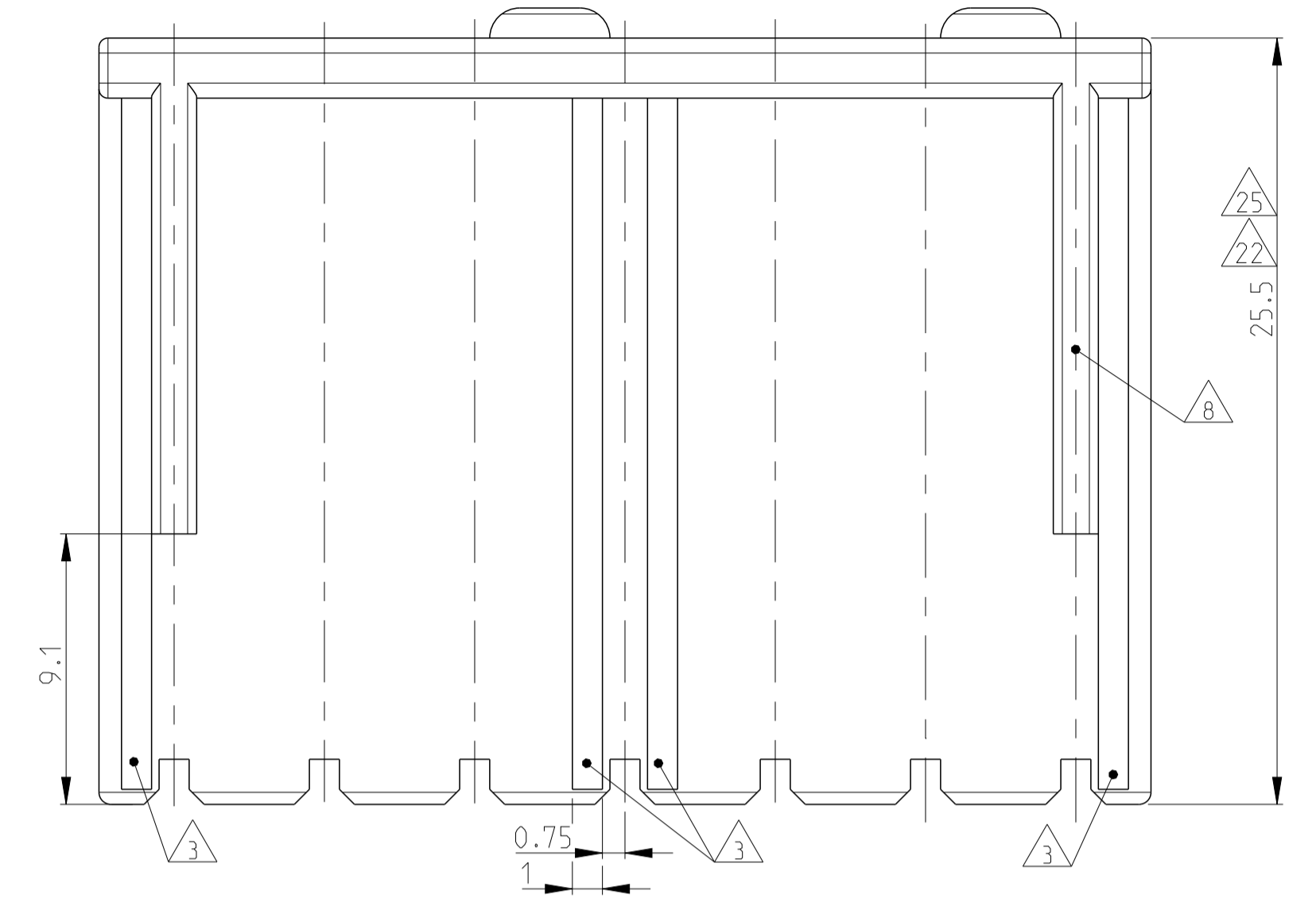
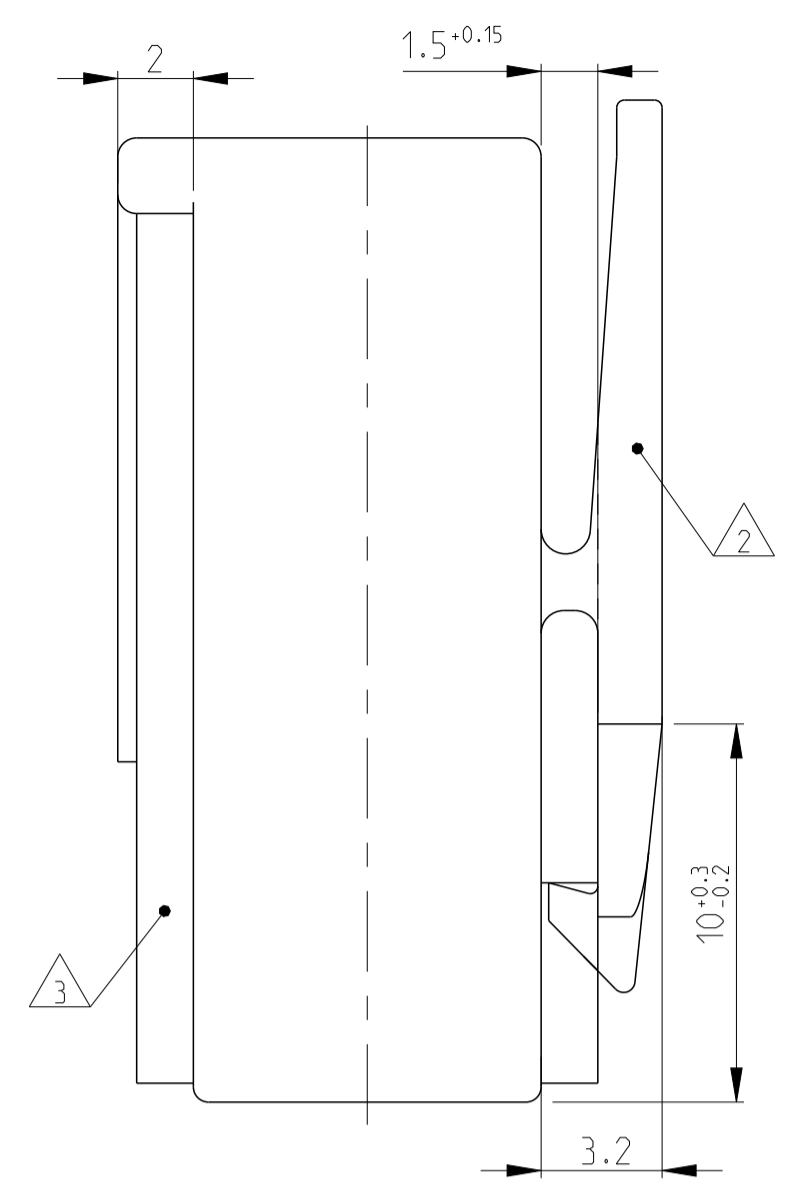
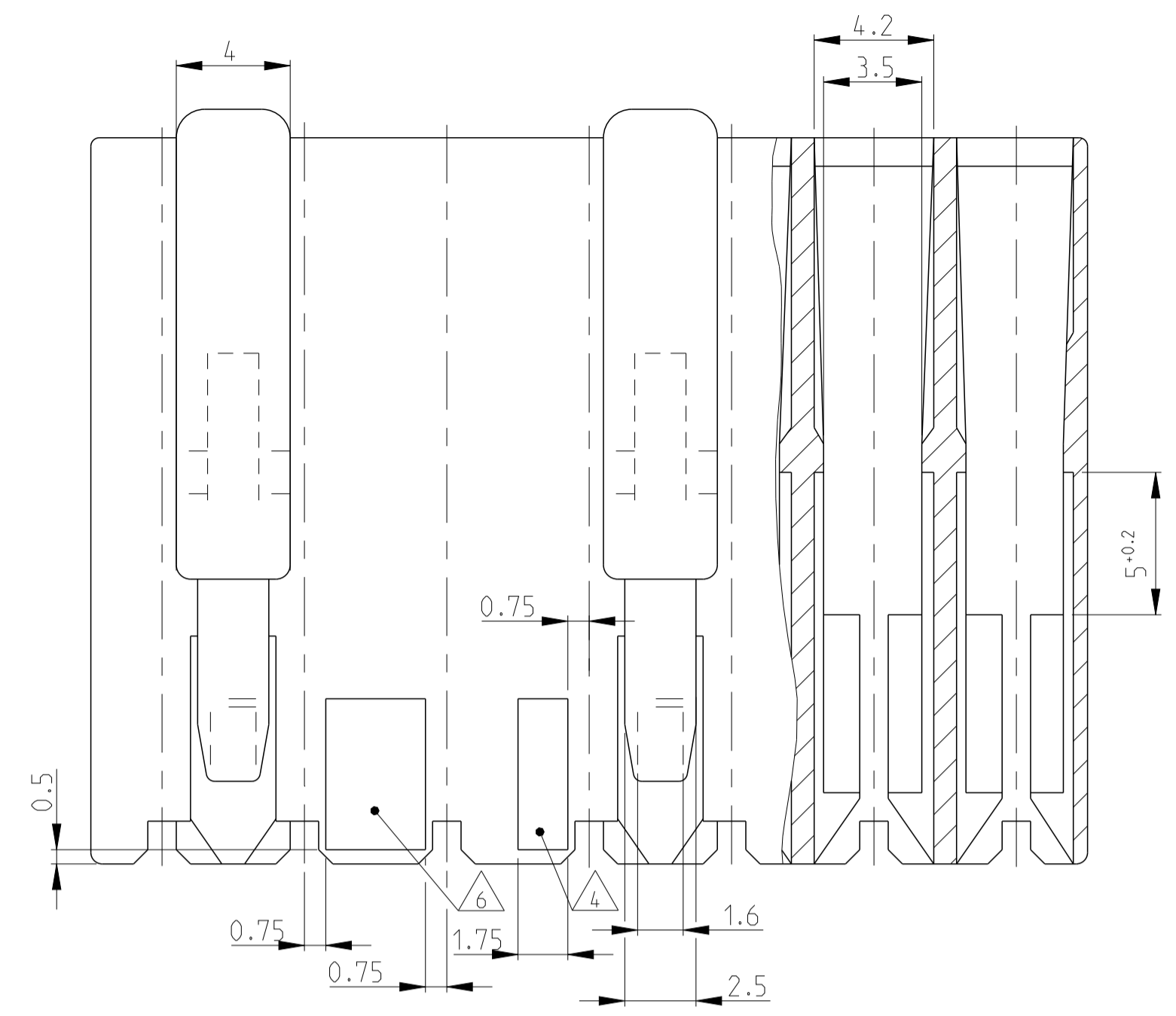
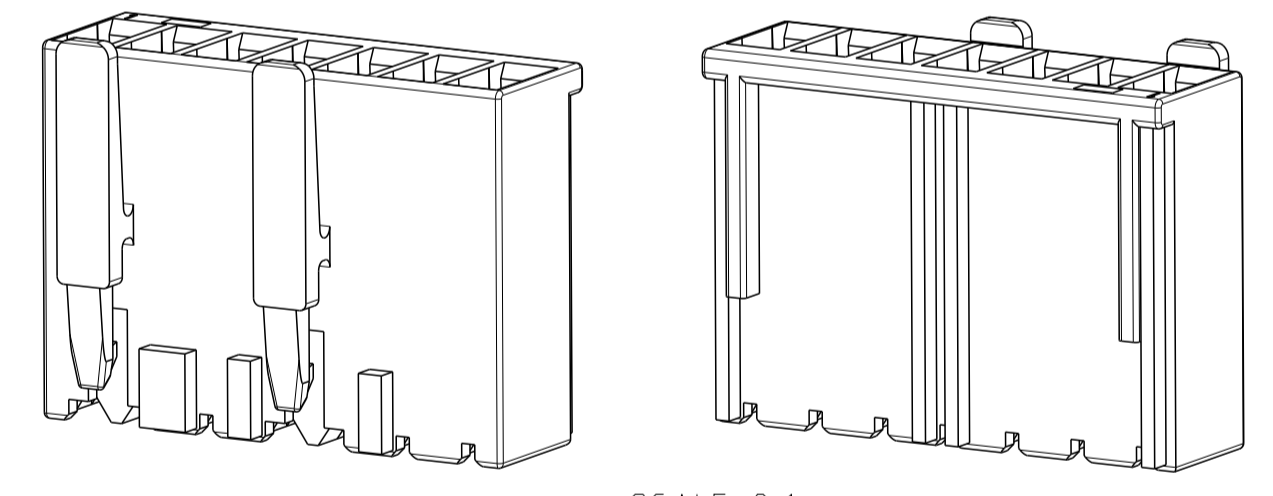
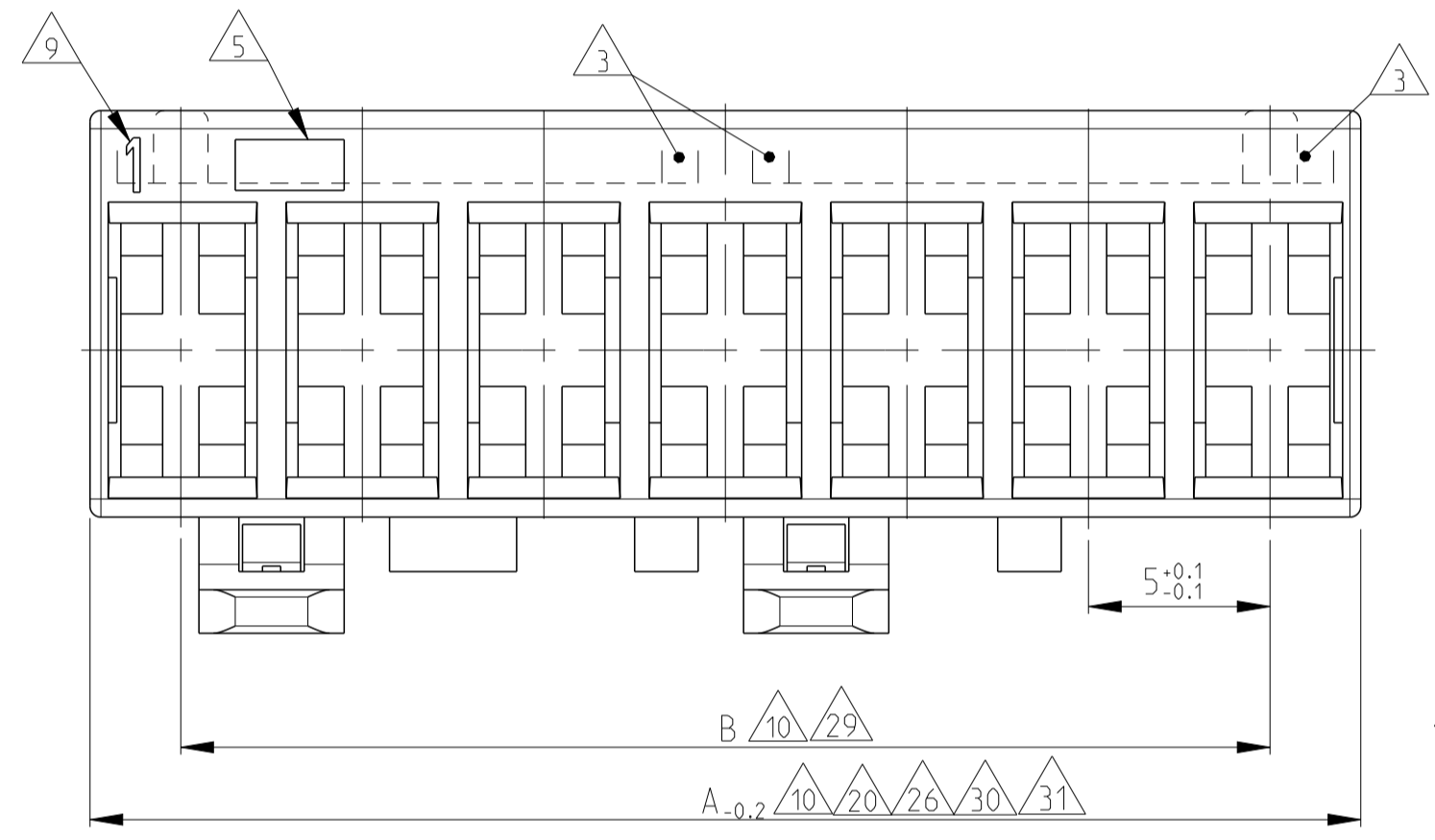
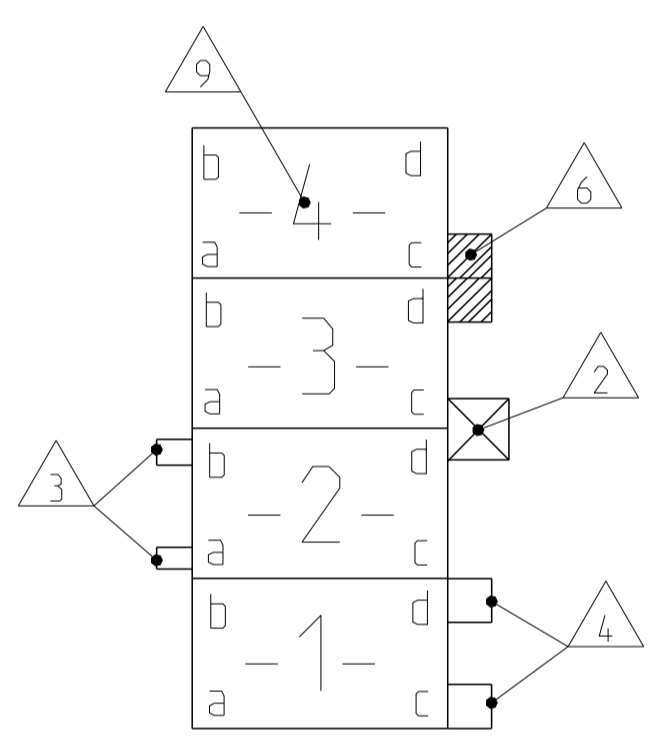
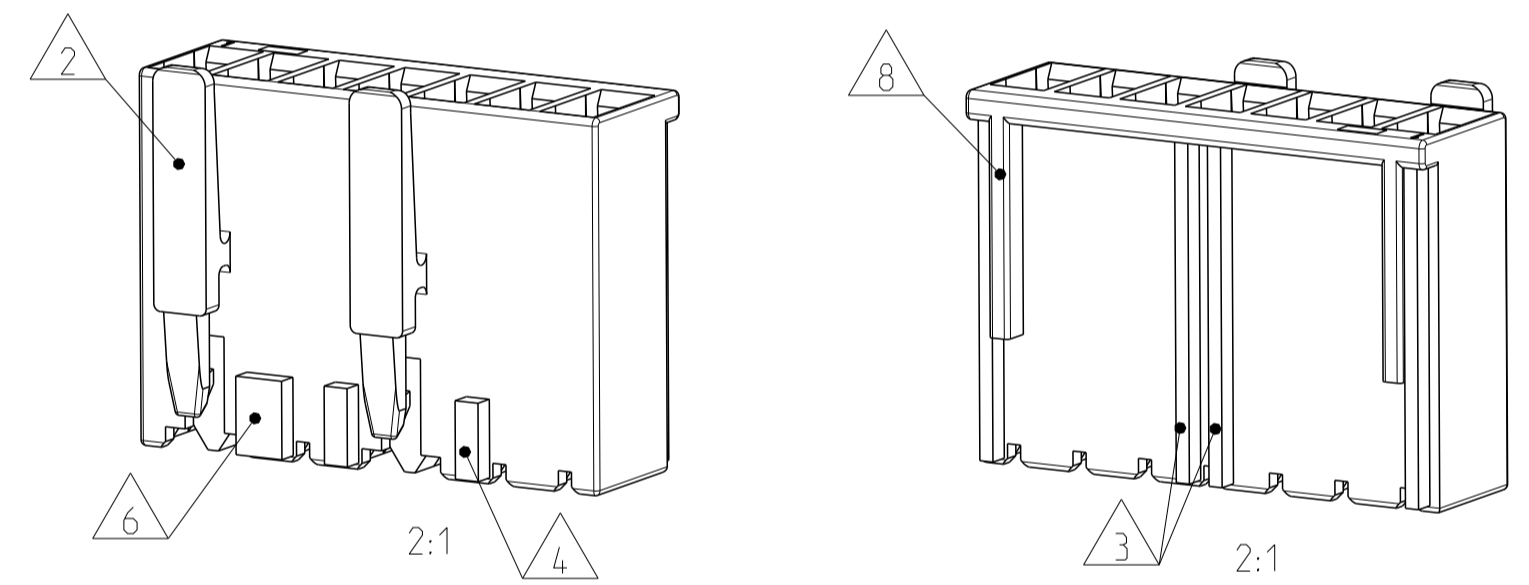


LOC		DIST		REVISIONS			
A1		-		DESCRIPTION	DATE	OWN	APVD
B27	ECR-15-015509				05NOV2015	KD	RR
B28	ECR-15-016286				22Jan2016	SL	RR
B29	ECR-16-001493				28JAN2016	SS	RR
B30	ECR-16-013876				29SEP2016	KD	RR

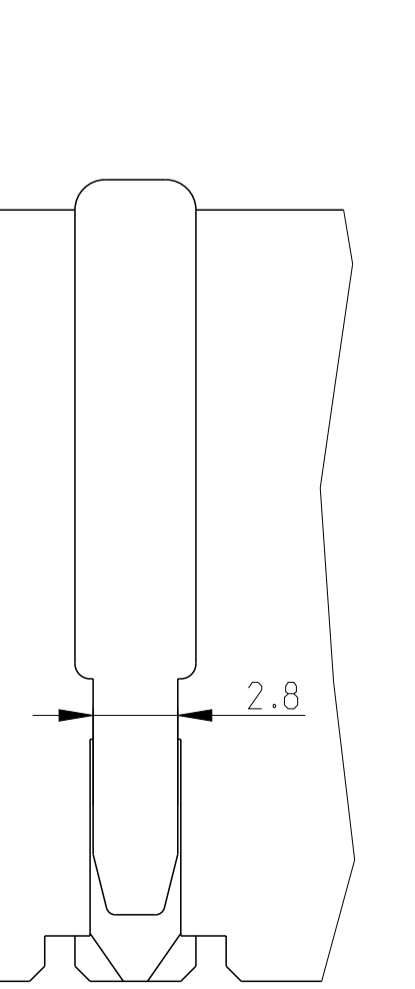
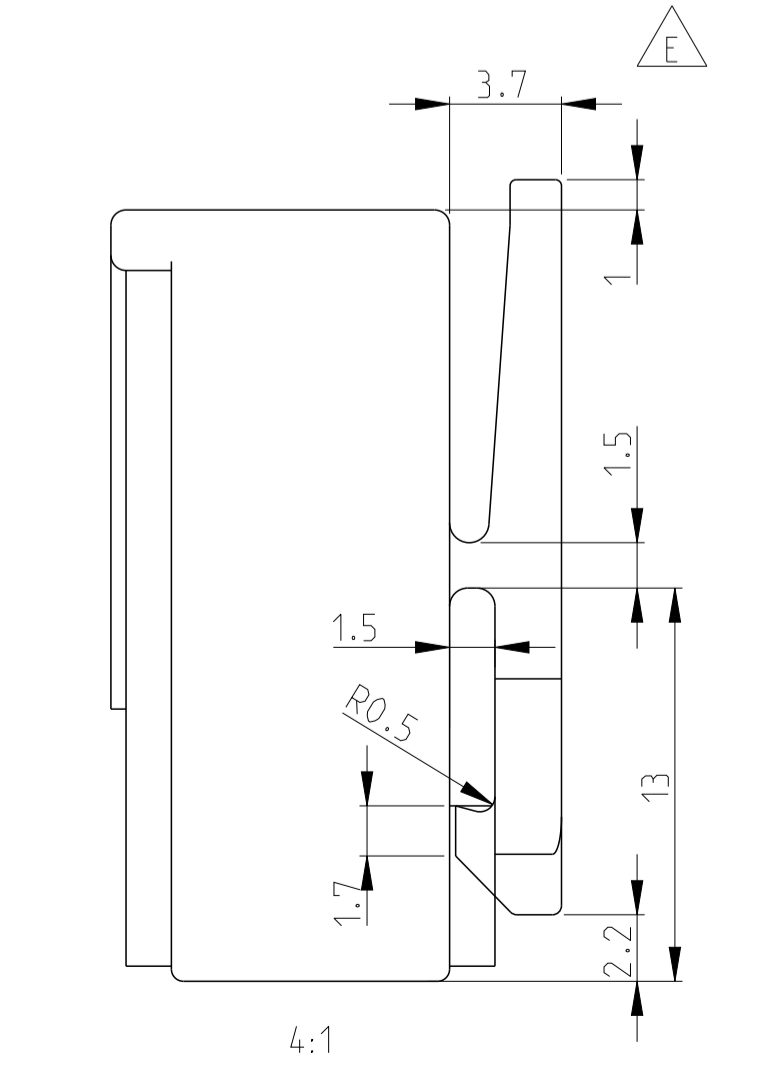
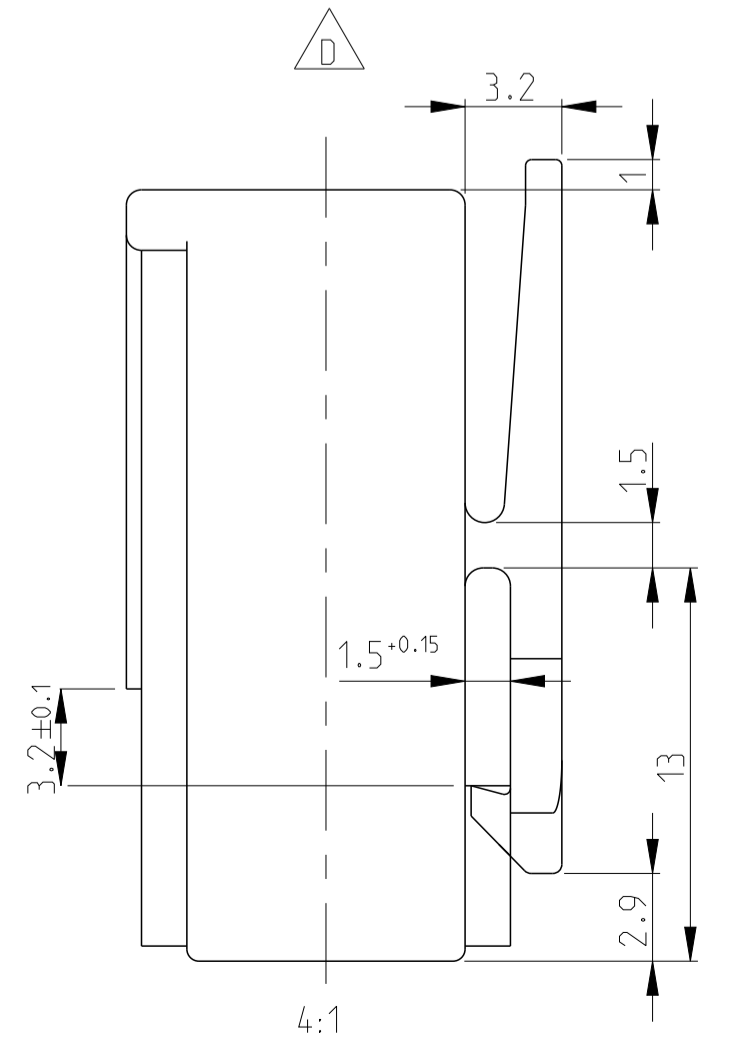
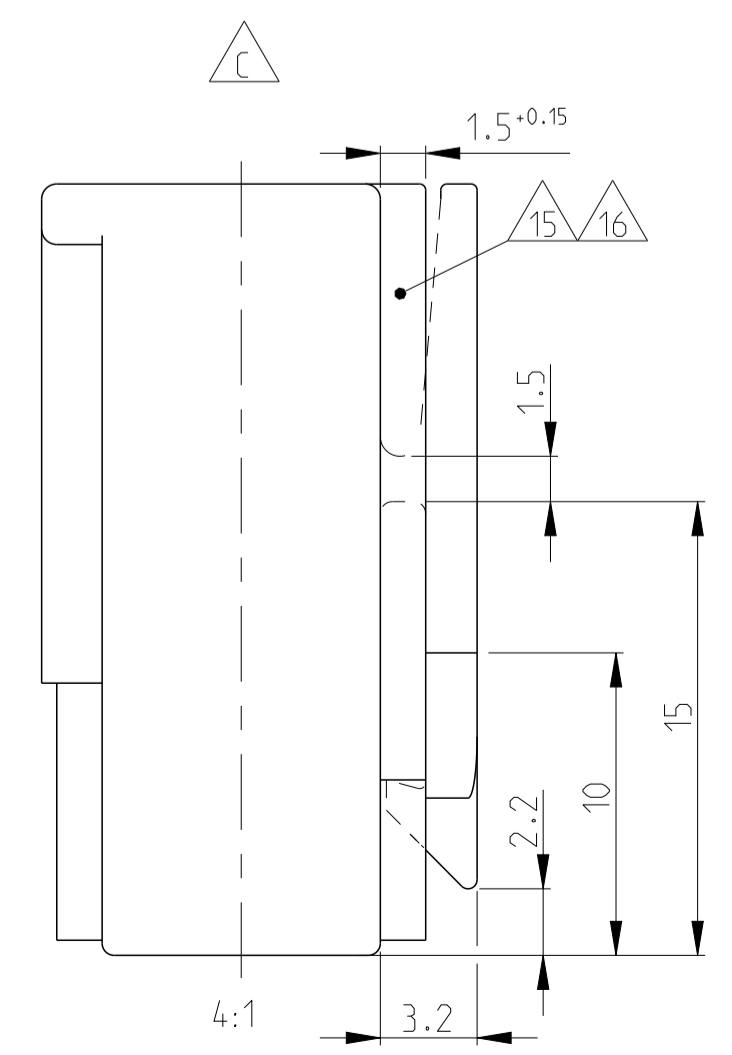
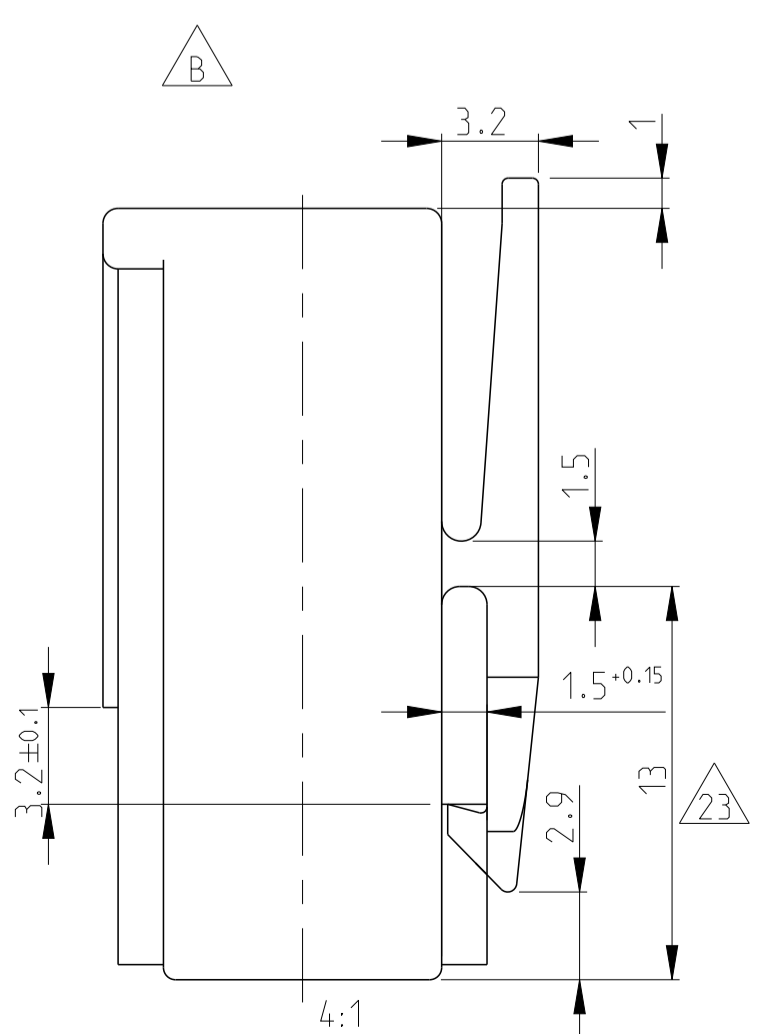
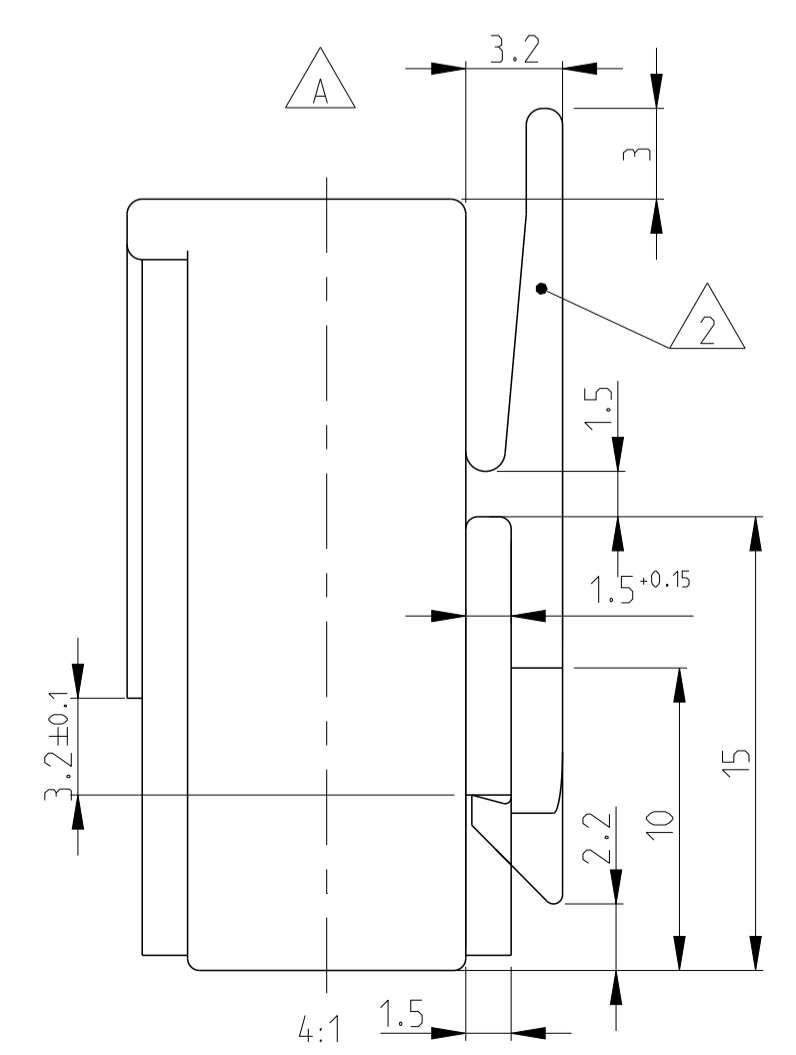


DESCRIPTION
POSITION OF THE KEYING RIBS, POLARISATION RIBS AND THE LOCKING LATCH



PAY ATTENTION!
DIFFERENT LOCKING LATCHES

ALL OTHER DIMENSIONS ARE SAME

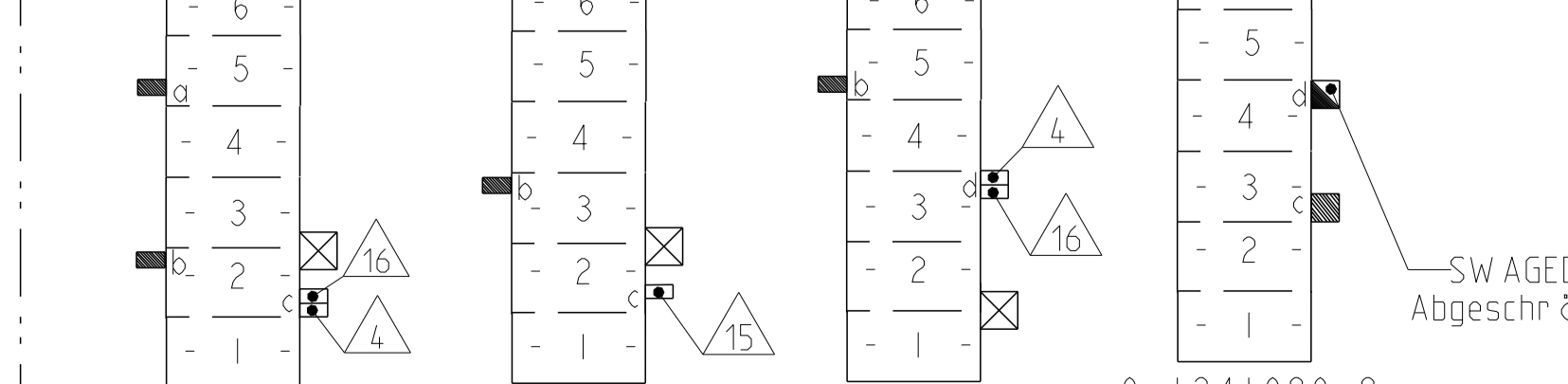
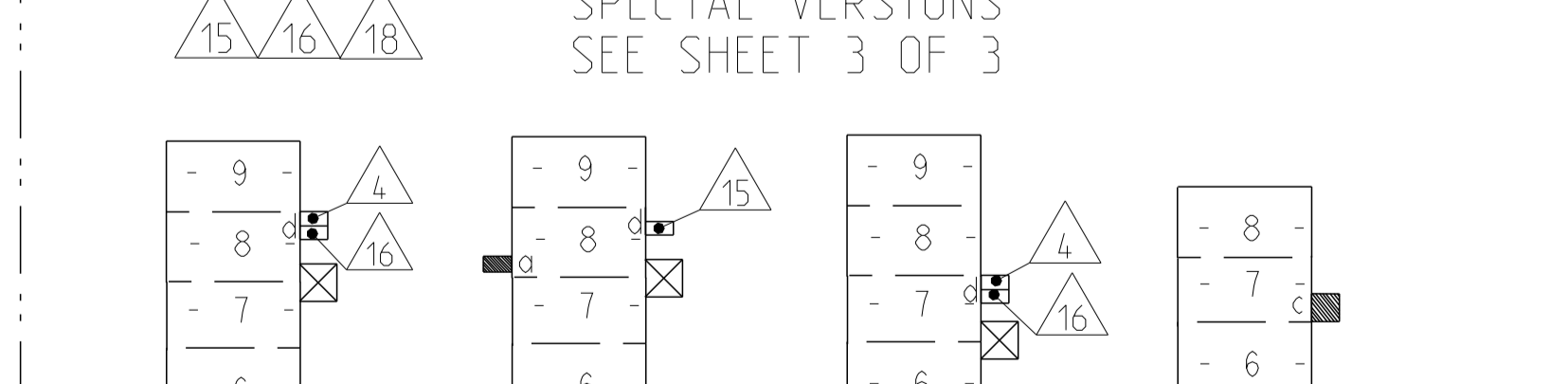
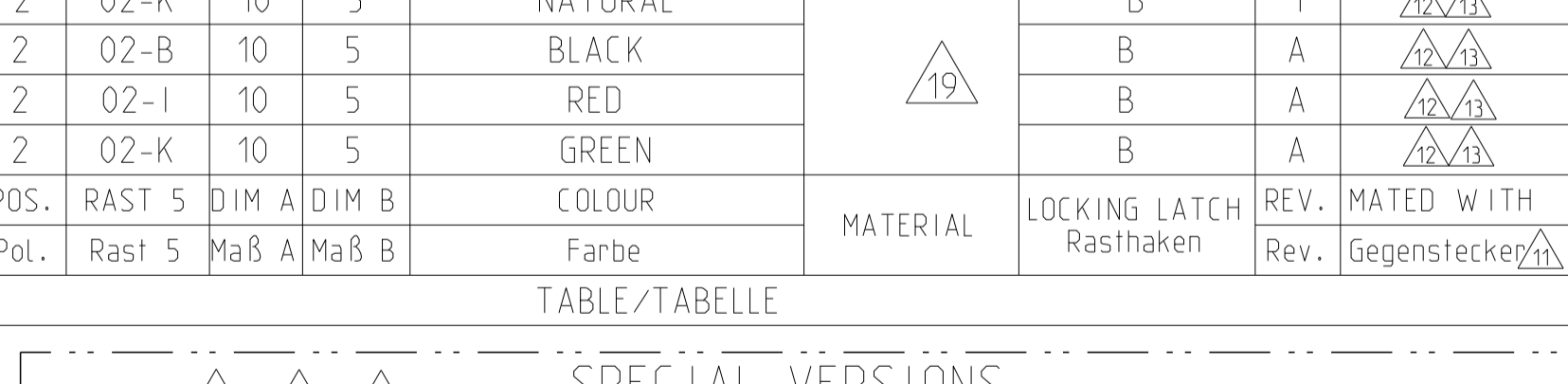
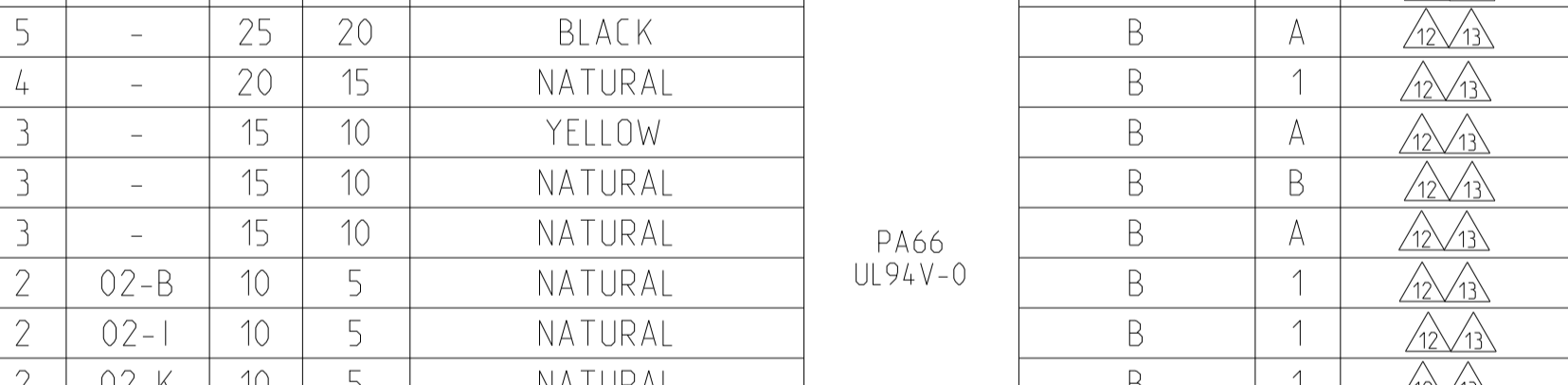
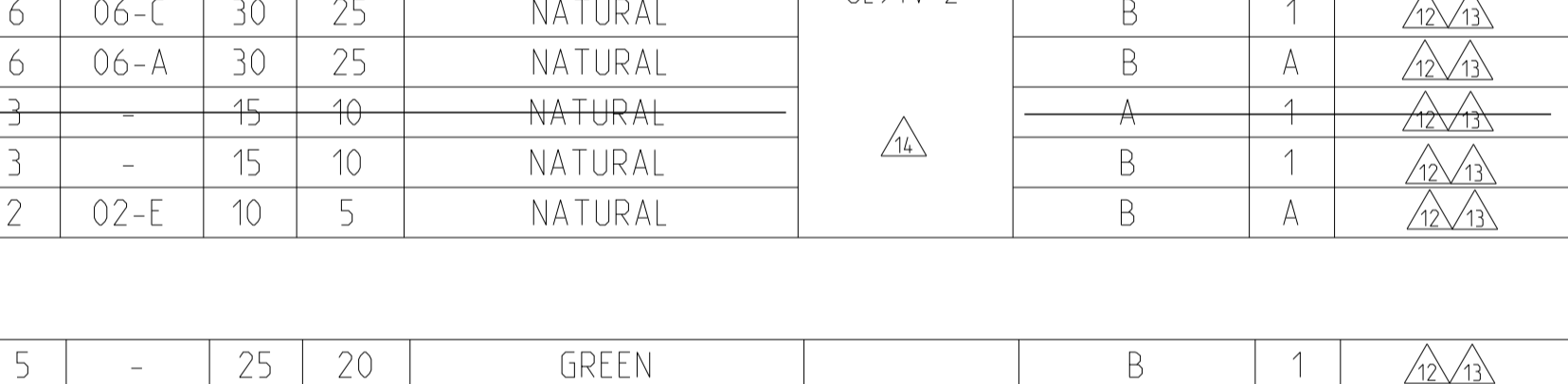
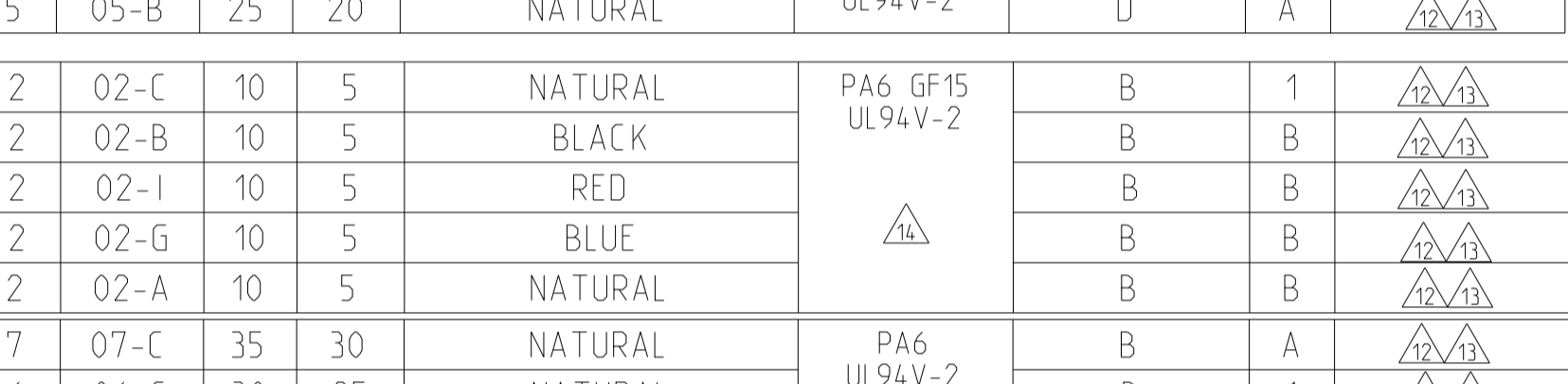
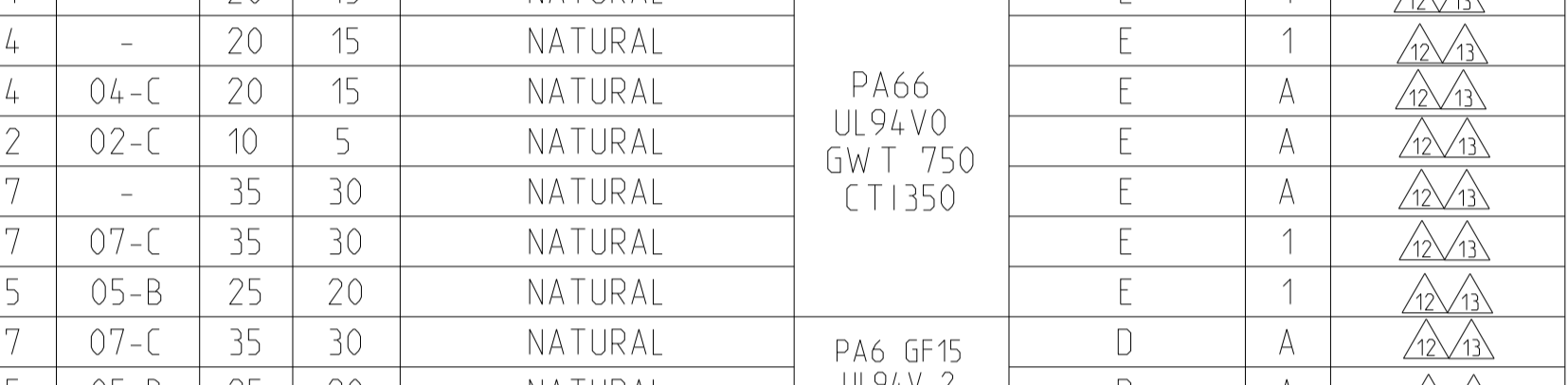
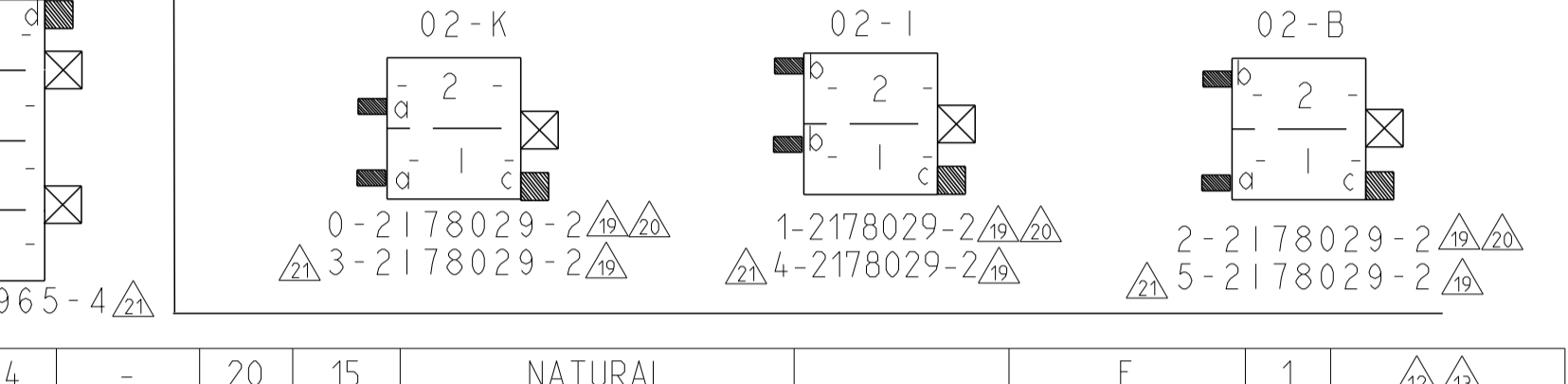
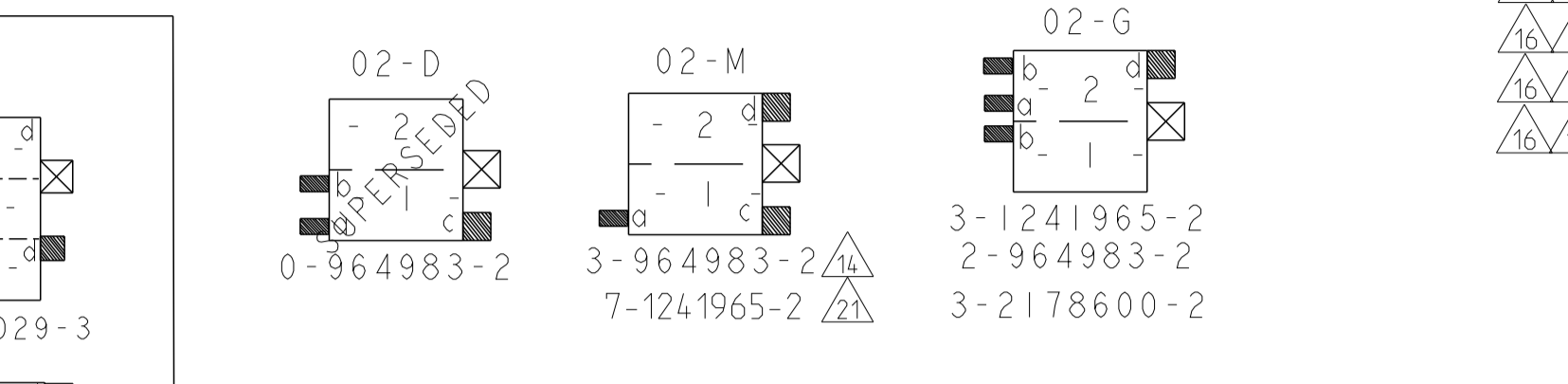
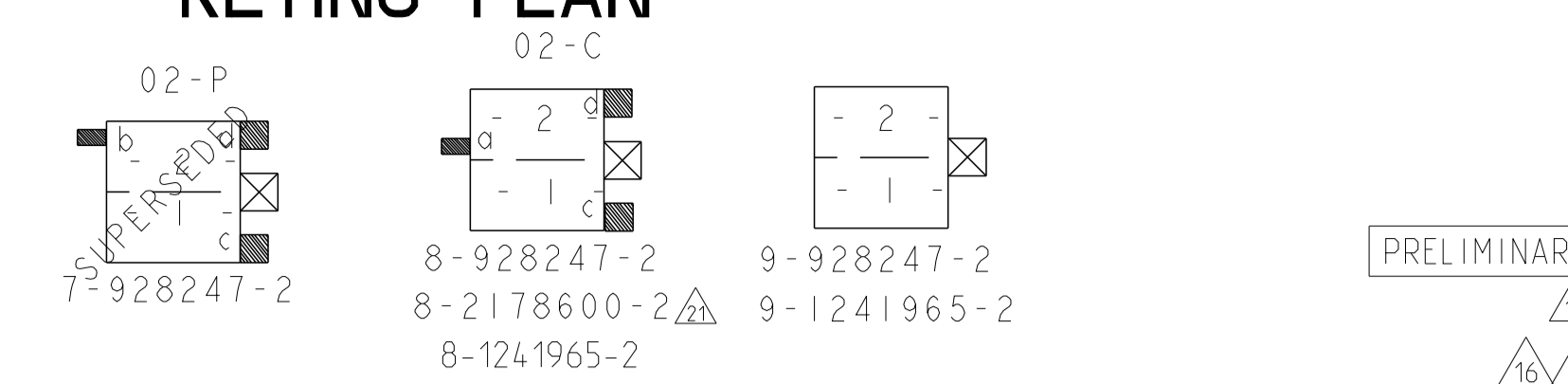
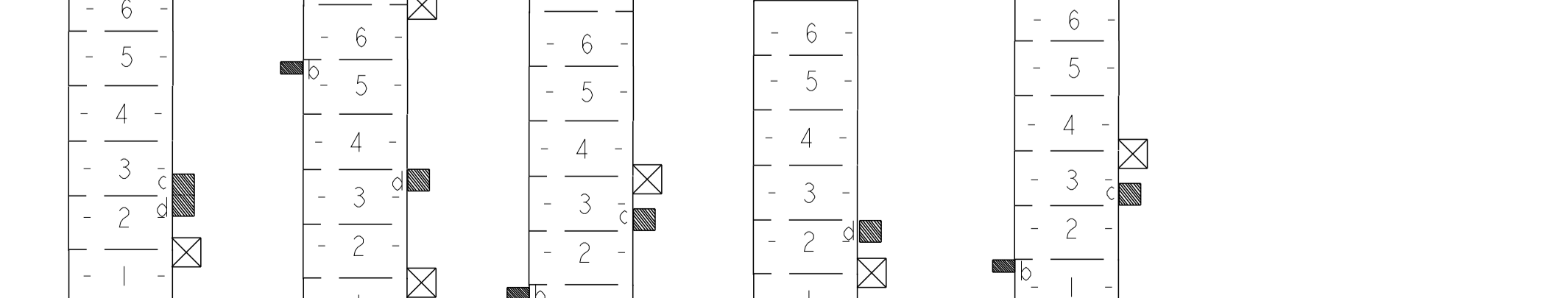
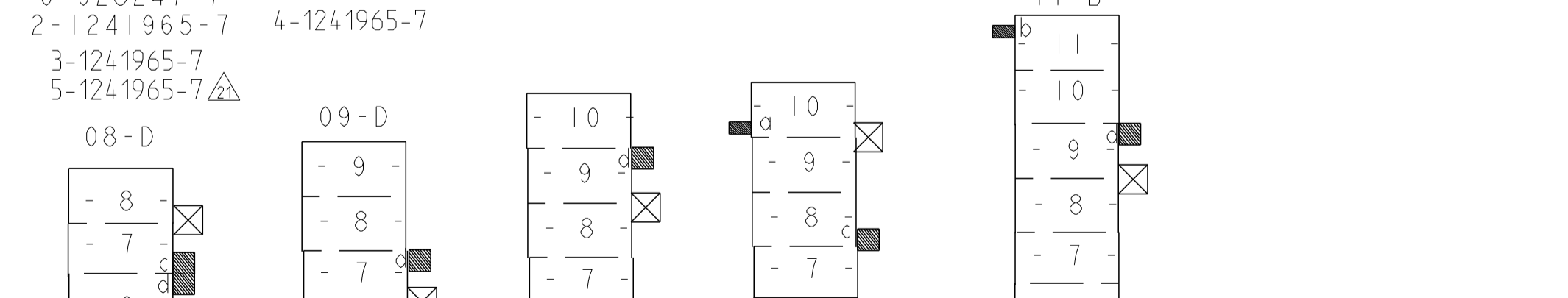
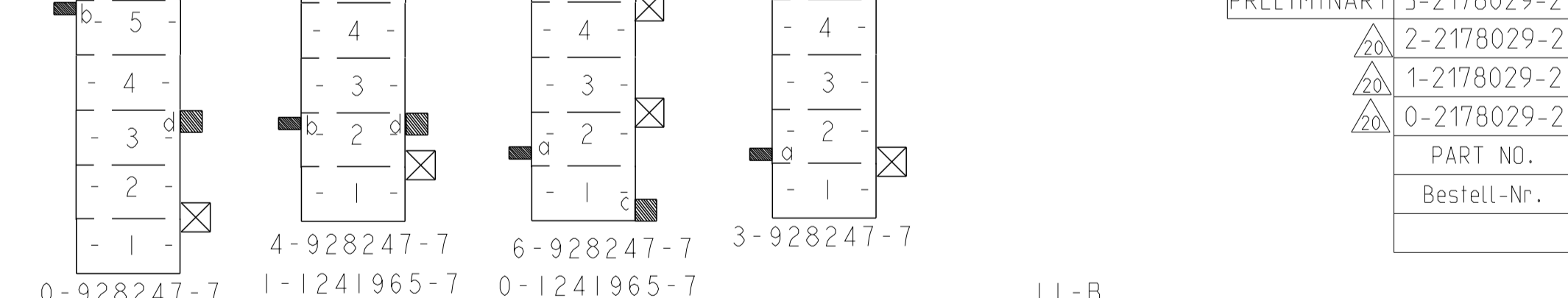
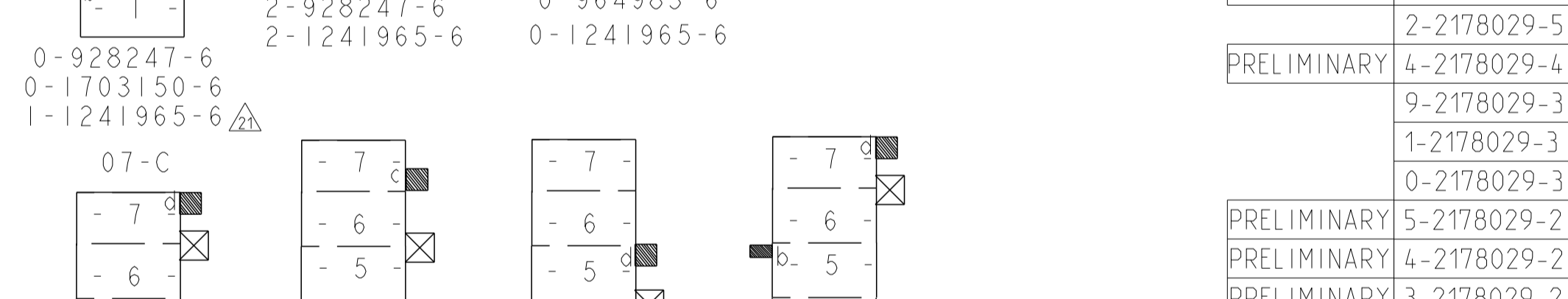
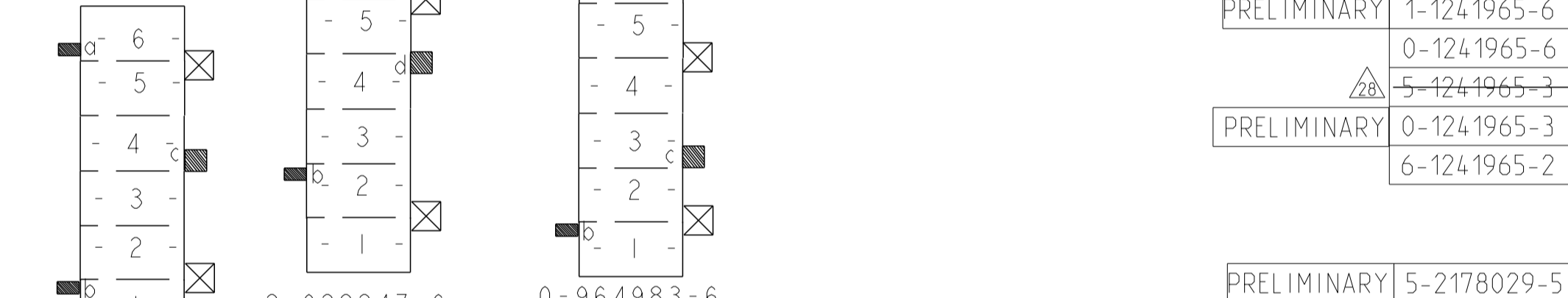
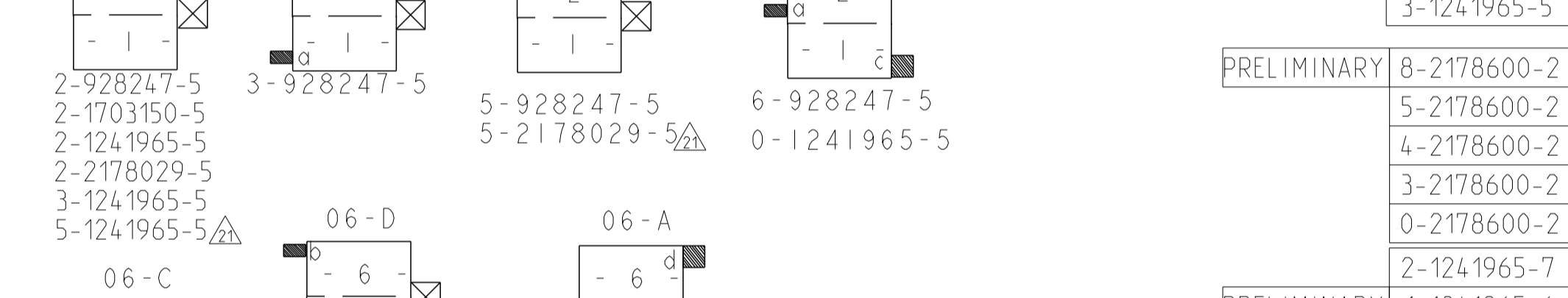
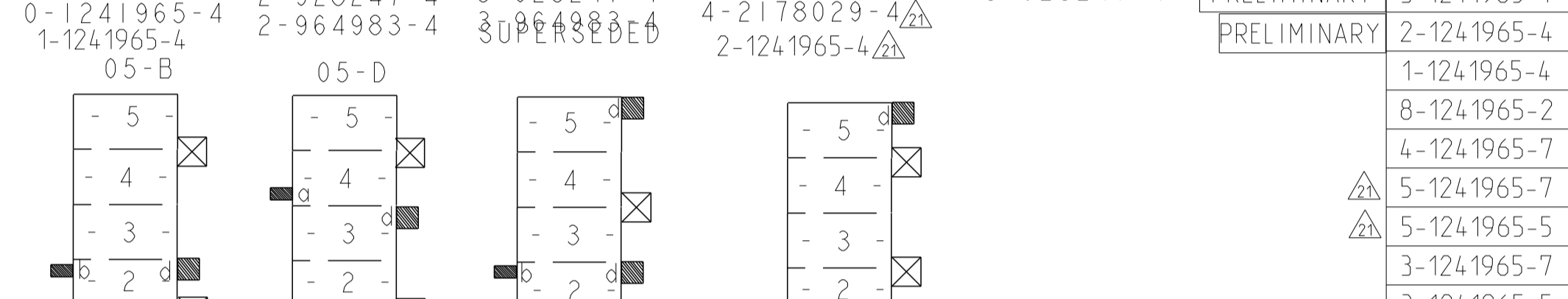
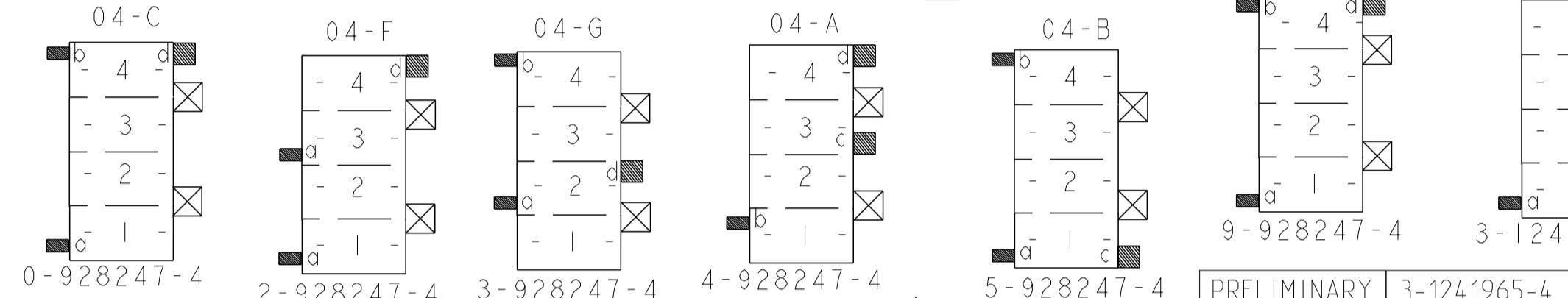
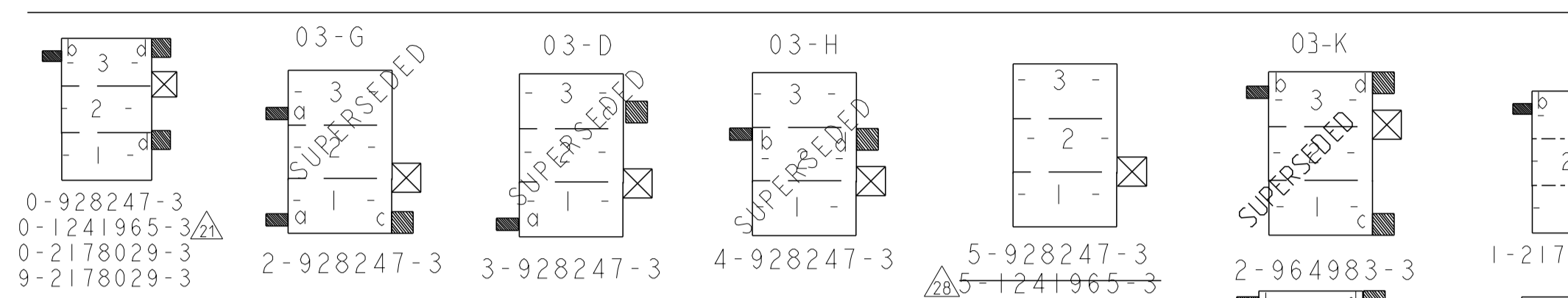
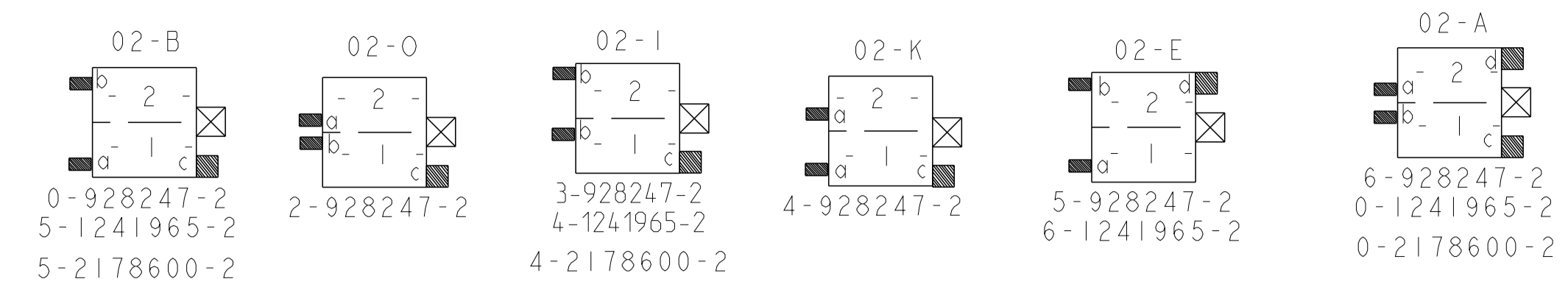


- 1 CAVITY SUITABLE TO STANDARD TIMER CONTACTS LISTED IN PROD. SPEC: 108-18049, ITEM 3.3.2
Kammer geeignet für Standard Timer Kontakte gelistet in Prod. Spec. 108-18049, Punkt 3.3.2
- 2 LOCKING LATCH BETWEEN CAVITY NO.
Rasthaken zwischen Kammernummer
- 3 POLARIZATION RIB POSITION "a" OR POSITION "b", AT CAVITY NO..
Polarisierungsrippen (Lage "a") oder (Lage "b") versetzt bei Kammer Nr
- 4 KEYING RIB POSITION "c" OR POSITION "d", AT CAVITY NO..
Kodierungsrippen nach unten (Lage "c") oder oben (Lage "d") versetzt bei Kammernummer
- 5 AREA FOR TE LOGO ACC. TO SPEC 202-36
Bereich für TE Logo nach Spec. 202-36
- 6 WIDTH KEYING RIB BETWEEN CAVITY NO.
Breite Kodierrippe zwischen Kammer Nr.
- 7 SUITABLE TO TAB 6.3x0.8mm AND 4.8x0.8mm ACCORDING TO DIN 46244
Geeignet für Flachstecker 6.3x0.8mm und 4.8x0.8mm nach DIN 46244
- 8 MATING STOP BETWEEN CAVITY NO.1 AND 2, ALSO BETWEEN THE LAST AND THE LAST BUT ONE CAVITY
Tiefenanschlag zwischen Kammer Nr.1 und 2, ebenfalls zwischen der letzten und vorletzten Kammer
- 9 CONTACT CAVITY NO.
Kammernummer
- 10 DIMENSION A AND DIMENSION B SEE SHEET 2 OF 3
Maß A und Maß B siehe Blatt 2 von 3
- 11 MATED WITH TE CONNECTOR: SEE TABLE, SHEET 2 OF 3
Passender TE Gegenstecker: siehe Tabelle, Seite 2 von 3
- 12 GENERAL SUITABLE TAB HEADER HOUSING SEE RAST 5 PERFORMANCE
Generell passende Flachsteckerwanne, siehe RAST 5 Vorgabe
- 13 CONNECTION TO THE PC BOARD SEE DRAWING 88-9935-4
Leiterplattenanschluß siehe Zeichnung 88-9935-4
- 14 SEE TABLE, SHEET 2 OF 3
Siehe Tabelle, Blatt 2 von 3
- 15 MATERIAL CORRESPONDS TO THE REQUIREMENT EN 60335 (INCL. GLOW WIRE TEST 750°C WITHOUT FLAME)
- 16 WIRE TANGLING PROTECTION
- 17 WIRE TANGLING PROTECTION IN COMBINATION WITH CODING RIBS, ONLY VALID FOR VERSIONS 5-964702-3, 0-964702-3, 0-964702-1
- 18 KEYING ACC. TO RAST-5 STANDARD; COLOUR IS DIFFERENT
- 19 8 POS. SPECIAL VERSION WITH SWAGED KEYING RIB
- 20 SPECIAL MATERIAL PA66, UL 94 V0
- 21 DIMENSION "A" IS ACCEPTED WITHIN TOLERANCE +0.05/-0.20.
- 22 PRELIMINARY PART- NOT YET RELEASED FOR PRODUCTION
- 23 ONLY FOR PN 2178600-2, 3-2178600-2, 4-2178600-2, 5-2178600-2, TOLERANCE IS +0.4 -0.2, WORST CASE CAN BE OUT OF RAST STANDARD.
- 24 ONLY FOR PN 2178600-2, 3-2178600-2, 4-2178600-2, 5-2178600-2, TOLERANCE IS +0.4 -0.2
- 25 ONLY FOR PN 3-1241965-5, 3-1241965-7 TOLERANCE IS +0.3 -0.2
- 26 ONLY FOR PN 3-1241965-5, 3-1241965-7 TOLERANCE IS +0.2 -0.2
- 27 ONLY FOR PN 3-1241965-5, 3-1241965-7 TOLERANCE IS +0.05 -0.2
- 28 OBSOLETE PART
- 29 ONLY FOR 4-1241965-7, TOLERANCE IS -0.3
- 30 ONLY FOR 4-1241965-7, TOLERANCE IS +0.2/-0.25
- 31 ONLY FOR 1-2178029-3, TOLERANCE IS +0.15/-0.2

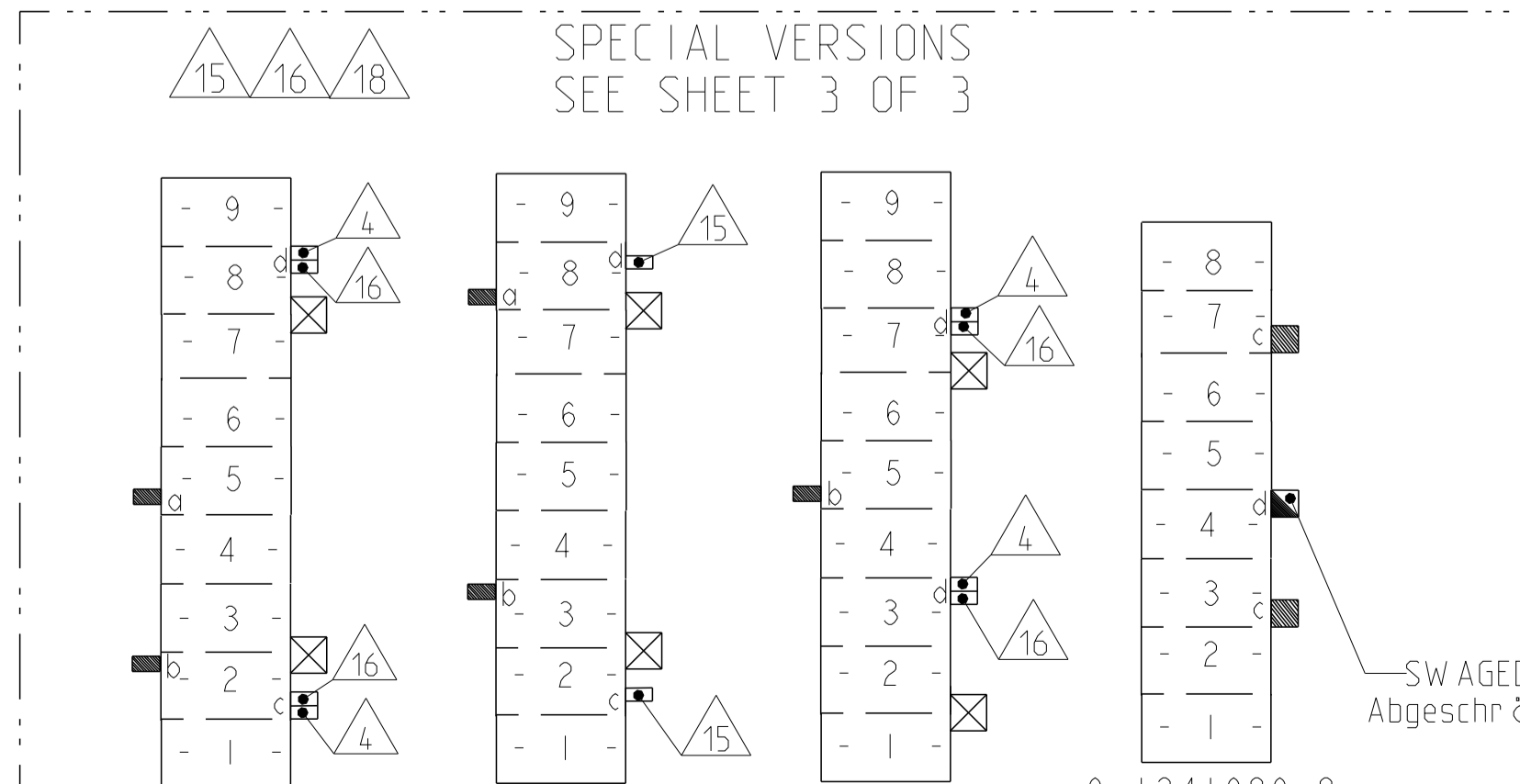
THIS DRAWING IS A CONTROLLED DOCUMENT.		OWN: Kishor M	07-NOV-06		TE Connectivity	
DIMENSIONS: mm		CHK: K. Mündz	07-NOV-06		NAME: 2-12 POS. STANDARD TIMER HSG. WITH EXTERIOR LOCKING	
TOLERANCES UNLESS OTHERWISE SPECIFIED: ±0.2		APVD: In. Klenner	07-NOV-06	PRODUCT SPEC: 108-18049		
MATERIAL: SEE TABLE		FINISH: -	WEIGHT: -	SIZE: A1		RESTRICTED TO: -
Customer Drawing		SCALE: 5:1		SHEET 1 OF 3		REV: B30

KEYING PLAN

LOC	DIST	REV	DATE	BY	APPV
A1	-	1	-	-	-



COLOUR	SUPERSEDED BY PN:	PART NO. Bestell-Nr.	POS. Pol.	RAST 5 Rast 5	DIM A Maß A	DIM B Maß B	COLOUR Farbe	MATERIAL	LOCKING LATCH Rasthaken	REV. Rev.	MATED WITH Gegenstecker
NATURE		7-1241965-2	2	02-M	10	5	NATURE	UL94 V-0	B	1	UL94 V-0
NATURE		0-1241980-8	8	-	40	35	NATURE/natur	UL94V-0	-	B	UL94V-0
NATURE		5-964702-3	-	-	-	-	NATURE/natur	UL94V-2	C	E	UL94V-2
NATURE		0-964702-3	9	-	45	40	NATURE/natur	UL94V-2	C	E	UL94V-2
NATURE		0-964702-2	-	-	-	-	BLACK/schwarz	UL94V-2	B	D	UL94V-2
NATURE		0-964702-1	-	-	-	-	NATURE/natur	UL94V-2	B	D	UL94V-2
WHITE		0-964983-6	6	06-A	30	25	WHITE/weiß	UL94V-2	B	D	UL94V-2
GREY		3-964983-4	4	04-G	20	15	GREY/grau	UL94V-2	B	D	UL94V-2
ORANGE		2-964983-4	4	04-F	20	15	ORANGE/orange	UL94V-2	B	D	UL94V-2
GREEN		2-964983-3	3	03-K	15	10	GREEN/grün	UL94V-2	B	D	UL94V-2
VIOLET		3-964983-2	2	02-M	10	5	VIOLET/violett (lila)	UL94V-2	B	D	UL94V-2
BLUE		2-964983-2	2	02-G	10	5	BLUE/blau	UL94V-2	B	D	UL94V-2
BLACK		0-964983-2	2	02-D	10	5	BLACK/schwarz	UL94V-2	B	D	UL94V-2
NATURE		1-1241965-1	11	11-B	55	50	NATURE/natur	UL94V-2	B	D	UL94V-2
NATURE		0-1241965-9	9	09-D	45	40	NATURE/natur	UL94V-2	B	D	UL94V-2
NATURE		0-1241965-8	8	08-D	40	35	NATURE/natur	UL94V-2	B	D	UL94V-2
NATURE		1-1241965-7	7	-	35	30	NATURE/natur	UL94V-2	B	D	UL94V-2
NATURE		0-1241965-7	7	-	35	30	NATURE/natur	UL94V-2	B	D	UL94V-2
NATURE		2-1241965-6	6	06-D	30	25	NATURE/natur	UL94V-2	B	D	UL94V-2
NATURE		2-1241965-5	5	05-B	25	20	NATURE/natur	UL94V-2	B	D	UL94V-2
NATURE		0-1241965-5	5	05-B	25	20	NATURE/natur	UL94V-2	B	D	UL94V-2
NATURE		0-1241965-4	4	04-C	20	15	NATURE/natur	UL94V-2	B	D	UL94V-2
NATURE		9-1241965-2	2	-	10	5	NATURE/natur	UL94V-2	B	D	UL94V-2
BLACK		5-1241965-2	2	02-B	10	5	BLACK/schwarz	UL94V-2	B	D	UL94V-2
RED		4-1241965-2	2	02-I	10	5	RED/rot	UL94V-2	B	D	UL94V-2
BLUE		3-1241965-2	2	02-G	10	5	BLUE/blau	UL94V-2	B	D	UL94V-2
NATURE		0-1241965-2	2	02-A	10	5	NATURE/natur	UL94V-2	B	D	UL94V-2
YELLOW		1-928247-1	11	11-B	55	50	YELLOW/gelb	UL94V-2	B	D	UL94V-2
GREY		2-928247-0	10	-	50	45	GREY/grau	UL94V-2	B	D	UL94V-2
BROWN		1-928247-0	10	-	50	45	BROWN/braun	UL94V-2	B	D	UL94V-2
BLUE		2-928247-9	9	09-D	45	40	BLUE/blau	UL94V-2	B	D	UL94V-2
BLUE		0-928247-8	8	08-D	40	35	BLUE/blau	UL94V-2	B	D	UL94V-2
GREEN		6-928247-7	7	-	35	30	GREEN/grün	UL94V-2	B	D	UL94V-2
NATURE		4-928247-7	7	-	35	30	NATURE/natur	UL94V-2	B	D	UL94V-2
NATURE		3-928247-7	7	-	35	30	NATURE/natur	UL94V-2	B	D	UL94V-2
NATURE		0-928247-7	7	07-C	35	30	GREY/grau	UL94V-2	B	D	UL94V-2
BLUE		2-928247-6	6	06-D	30	25	BLUE/blau	UL94V-2	B	D	UL94V-2
GREY		0-1703150-6	6	06-C	30	25	GREY/grau	UL94V-2	B	D	UL94V-2
GREY		0-928247-6	6	06-C	30	25	GREY/grau	UL94V-2	B	D	UL94V-2
NATURE		6-928247-5	5	-	25	20	NATURE/natur	UL94V-2	B	D	UL94V-2
GREEN		5-928247-5	5	-	25	20	GREEN/grün	UL94V-2	B	D	UL94V-2
BLUE		3-928247-5	5	05-D	25	20	BLUE/blau	UL94V-2	B	D	UL94V-2
BLACK		2-1703150-5	5	05-B	25	20	BLACK/schwarz	UL94V-2	B	D	UL94V-2
BLACK		2-928247-5	5	05-B	25	20	BLACK/schwarz	UL94V-2	B	D	UL94V-2
NATURE		9-928247-4	4	-	20	15	NATURE/natur	UL94V-2	B	D	UL94V-2
BLACK		5-928247-4	4	04-B	20	15	BLACK/schwarz	UL94V-2	B	D	UL94V-2
NATURE		4-928247-4	4	04-A	20	15	NATURE/natur	UL94V-2	B	D	UL94V-2
VIOLET		3-928247-4	4	04-G	20	15	VIOLET/violett (lila)	UL94V-2	B	D	UL94V-2
WHITE		2-928247-4	4	04-F	20	15	WHITE/weiß	UL94V-2	B	D	UL94V-2
GREY		0-928247-4	4	04-C	20	15	GREY/grau	UL94V-2	B	D	UL94V-2
NATURE		5-928247-3	3	-	15	10	NATURE/natur	UL94V-2	B	D	UL94V-2
BROWN		4-928247-3	3	03-H	15	10	BROWN/braun	UL94V-2	B	D	UL94V-2
BLUE		3-928247-3	3	03-D	15	10	BLUE/blau	UL94V-2	B	D	UL94V-2
VIOLET		2-928247-3	3	03-G	15	10	VIOLET/violett (lila)	UL94V-2	B	D	UL94V-2
YELLOW		0-928247-3	3	-	15	10	YELLOW/gelb	UL94V-2	B	D	UL94V-2
NATURE		9-928247-2	2	-	10	5	NATURE/natur	UL94V-2	B	D	UL94V-2
GREY		8-928247-2	2	02-C	10	5	GREY/grau	UL94V-2	B	D	UL94V-2
PURPLE		7-928247-2	2	02-P	10	5	PURPLED/purpurrot	UL94V-2	B	D	UL94V-2
NATURE		6-928247-2	2	02-A	10	5	NATURE/natur	UL94V-2	B	D	UL94V-2
GREEN		5-928247-2	2	02-E	10	5	GREEN/grün	UL94V-2	B	D	UL94V-2
YELLOW		4-928247-2	2	02-K	10	5	YELLOW GREEN/gelbgrün	UL94V-2	B	D	UL94V-2
ORANGE		3-928247-2	2	02-I	10	5	ORANGE/orange	UL94V-2	B	D	UL94V-2
PINK		2-928247-2	2	02-O	10	5	PINK/rosa	UL94V-2	B	D	UL94V-2
BLACK		0-928247-2	2	02-B	10	5	BLACK/schwarz	UL94V-2	B	D	UL94V-2



PART NO. Bestell-Nr.	POS. Pol.	RAST 5 Rast 5	DIM A Maß A	DIM B Maß B	COLOUR Farbe	MATERIAL	LOCKING LATCH Rasthaken	REV. Rev.	MATED WITH Gegenstecker
0-964702-1									
0-964702-2									
0-964702-3									
0-1241980-8									

THIS DRAWING IS A CONTROLLED DOCUMENT.

SWAGED KEYING RIB
Abgeschrägte Kodierrippe

TE Connectivity

108-18049

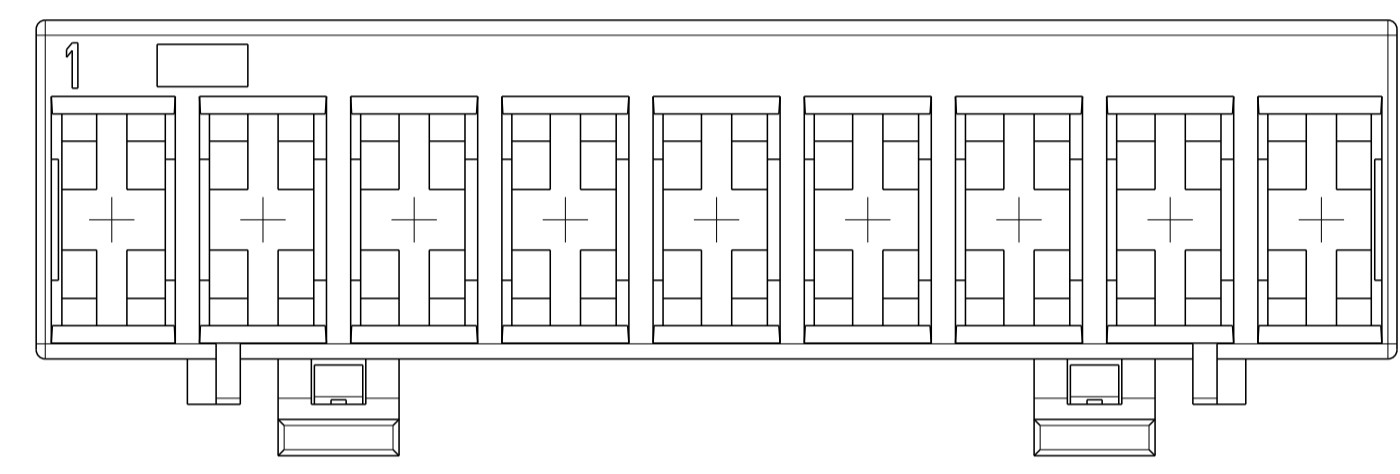
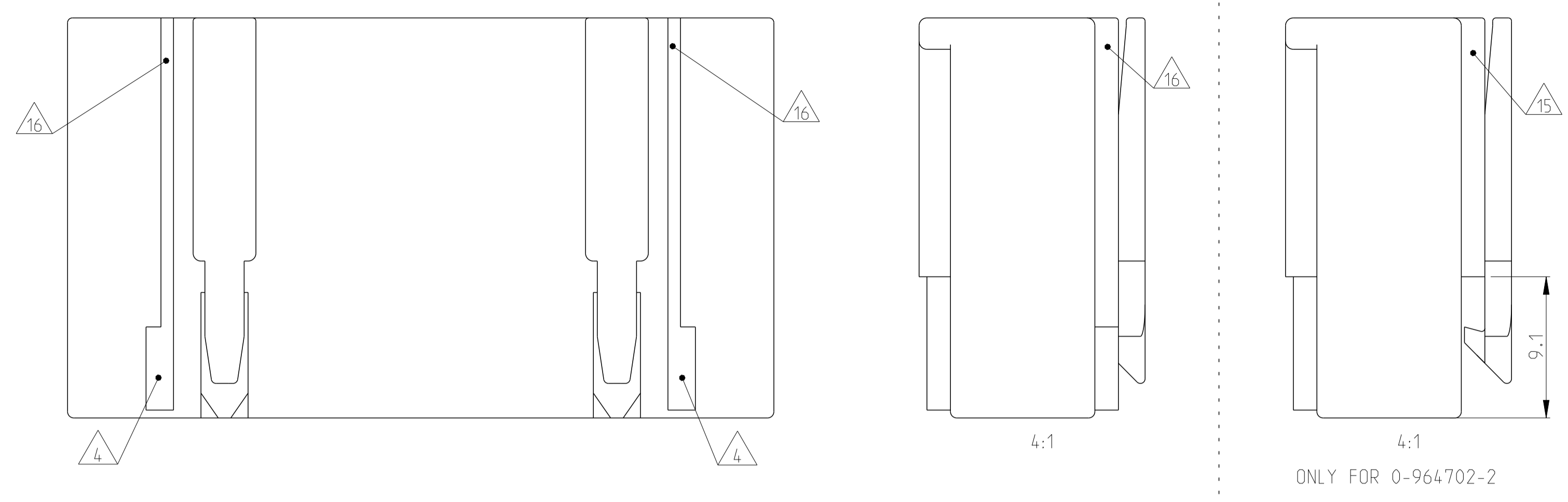
Customer Drawing

SCALE 5:1

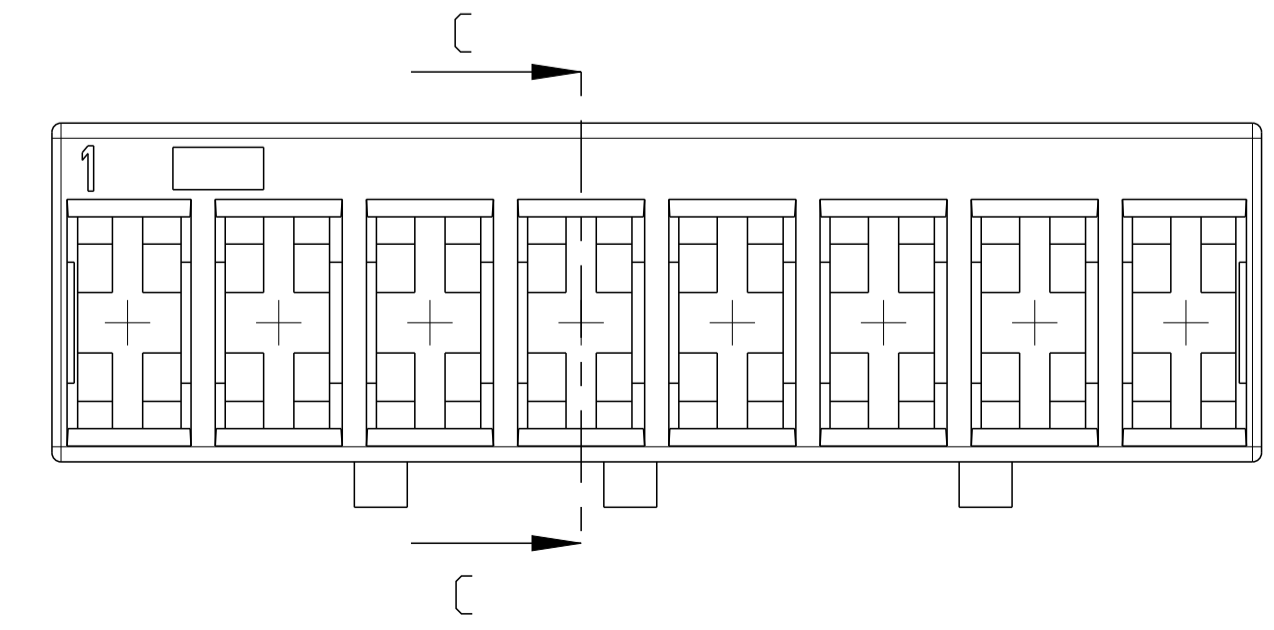
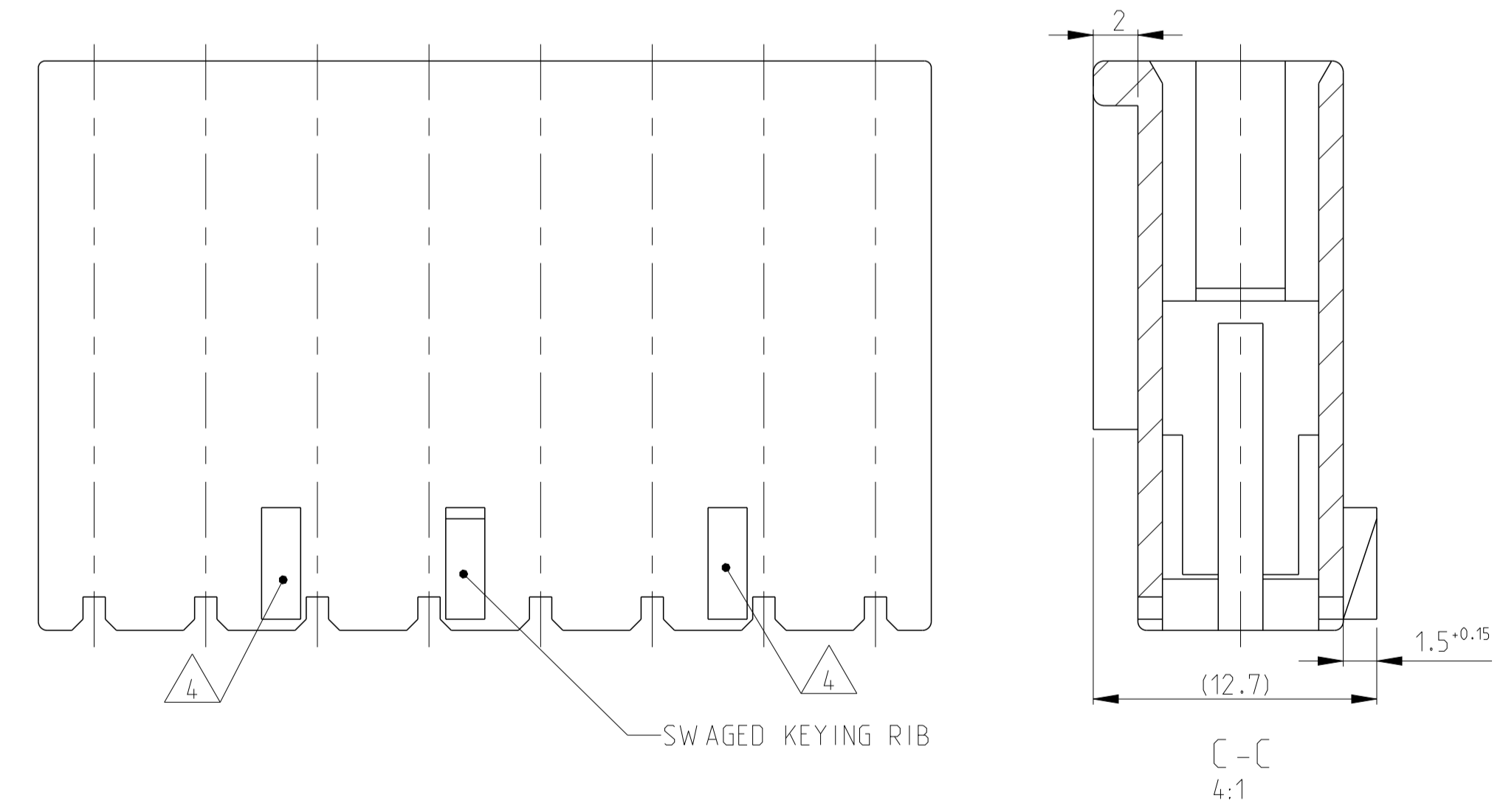
SHEET 2 OF 3

REV B30

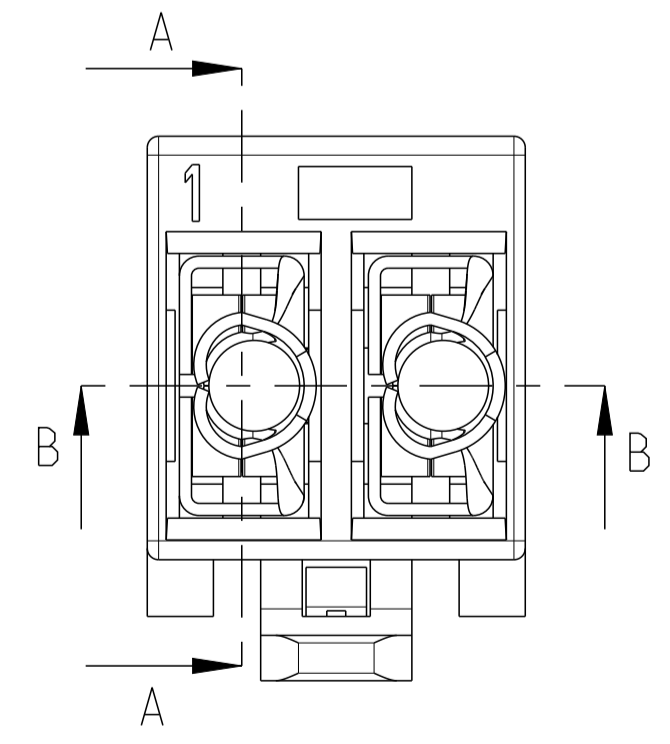
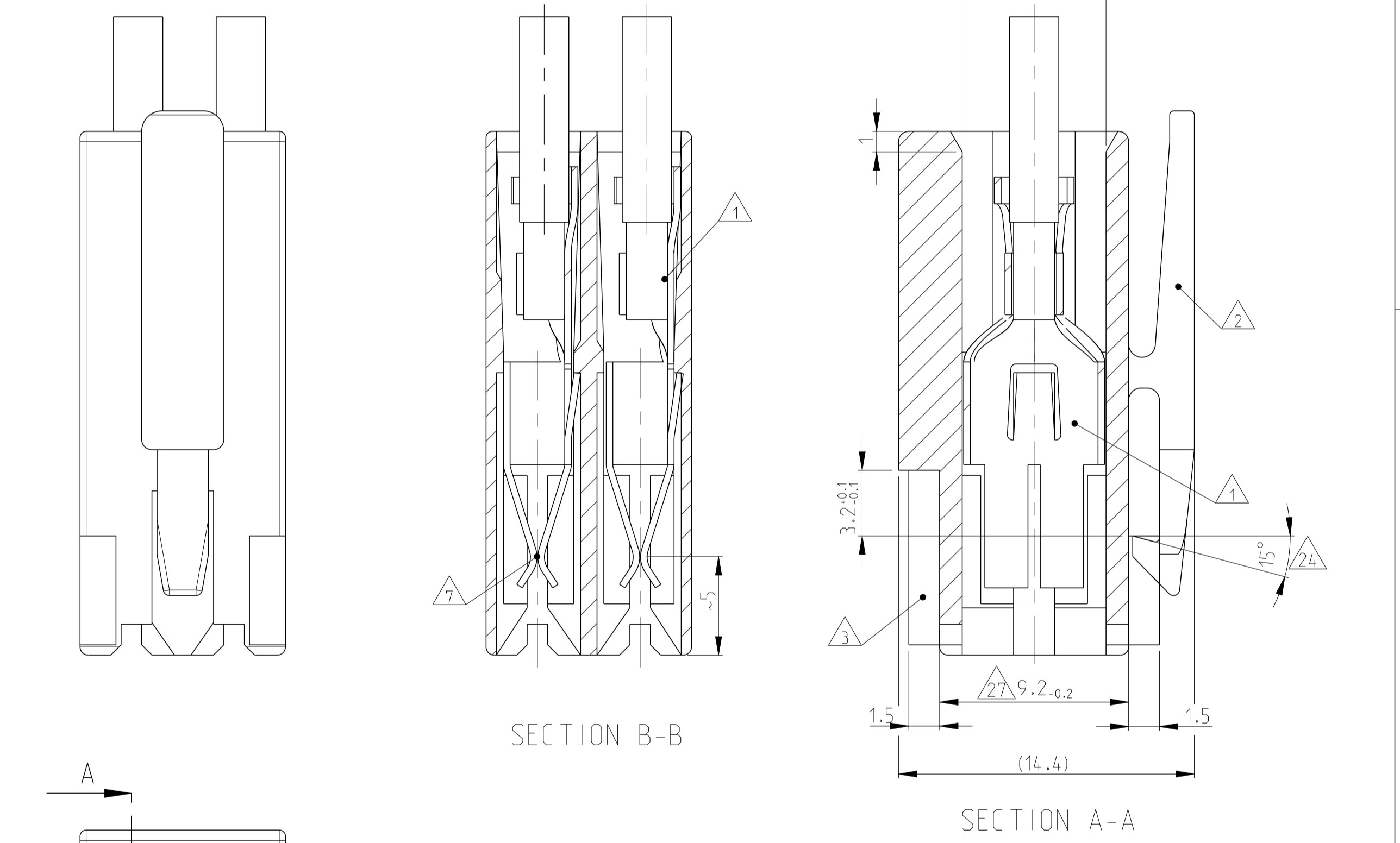
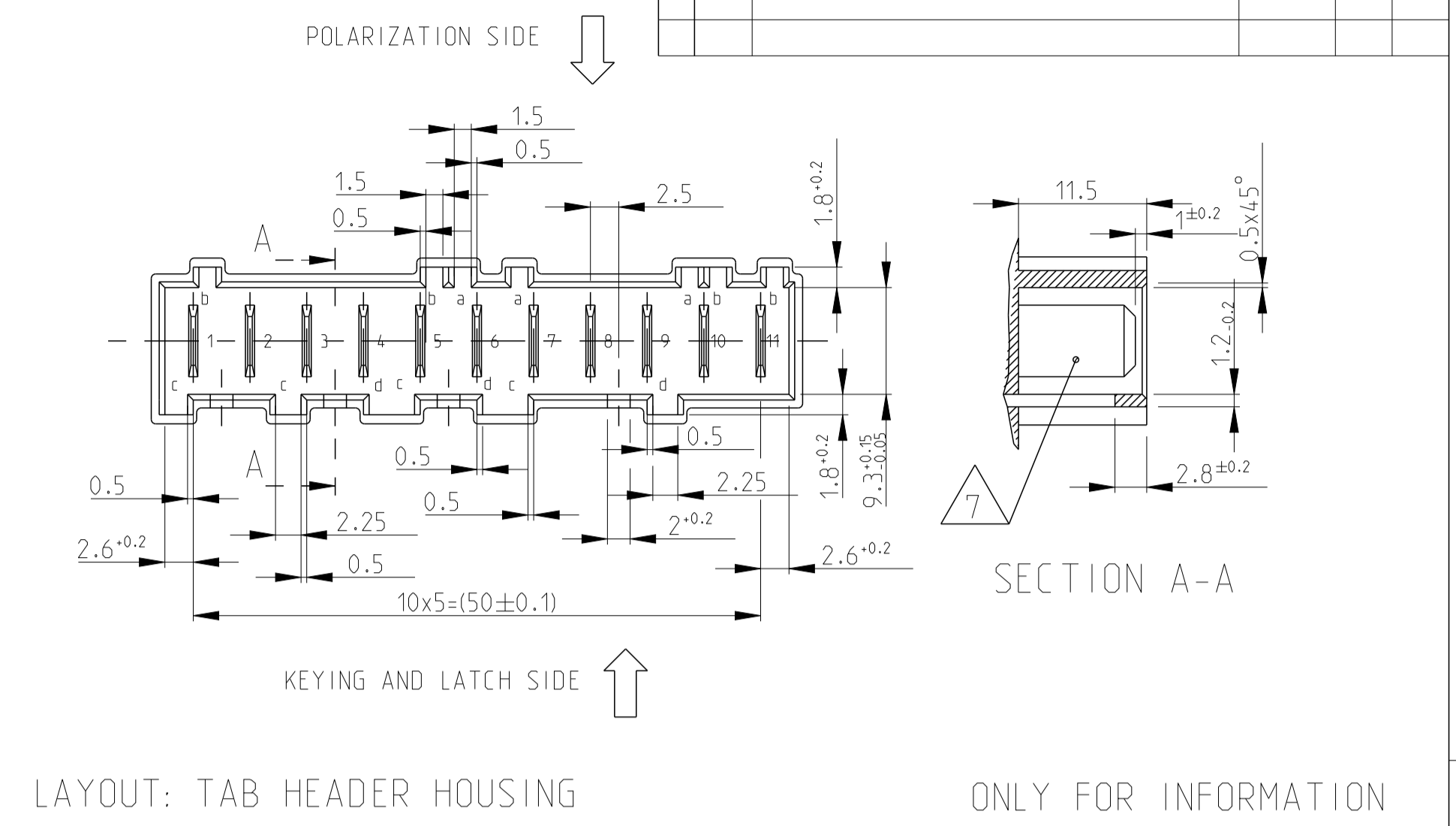
SPECIAL VERSIONS $\triangle 15$ $\triangle 16$
 9 POS STD. TIMER HSG. WITH TANGLING PROTECTION



SPECIAL VERSION $\triangle 18$
 8 POS SPECIAL STD. TIMER HSG.



LOC	DIST	REVISIONS	DATE	OWN	APVD
A1	-	DESCRIPTION			
		SEE SHEET 1			



THIS DRAWING IS A CONTROLLED DOCUMENT.		OWN: Kishor M 07-NOV-06	TE Connectivity										
DIMENSIONS: mm		CHK: K. Mudz 07-NOV-06											
TOLERANCES UNLESS OTHERWISE SPECIFIED: ±0.2		APVD: Th. Klenner 07-NOV-06	NAME: 2-12 POS. STANDARD TIMER HSG. WITH EXTERIOR LOCKING										
<table border="1"> <tr><td>1-PLC</td><td>±</td></tr> <tr><td>2-PLC</td><td>±</td></tr> <tr><td>3-PLC</td><td>±</td></tr> <tr><td>4-PLC</td><td>±</td></tr> </table>		1-PLC	±	2-PLC	±	3-PLC	±	4-PLC	±	PRODUCT SPEC: 108-18049	2-12 Pos. Standard Timer Gehäuse mit Aussenrastung		
1-PLC	±												
2-PLC	±												
3-PLC	±												
4-PLC	±												
MATERIAL: SEE TABLE		APPLICATION SPEC: -	SIZE: A1										
ANGLES: -		FINISH: -	CAGE CODE: -										
WEIGHT: -		DRAWING NO: C=1241965		RESTRICTED TO: -									
Customer Drawing		SCALE: 5:1		SHEET 3 OF 3									
				REV B30									