

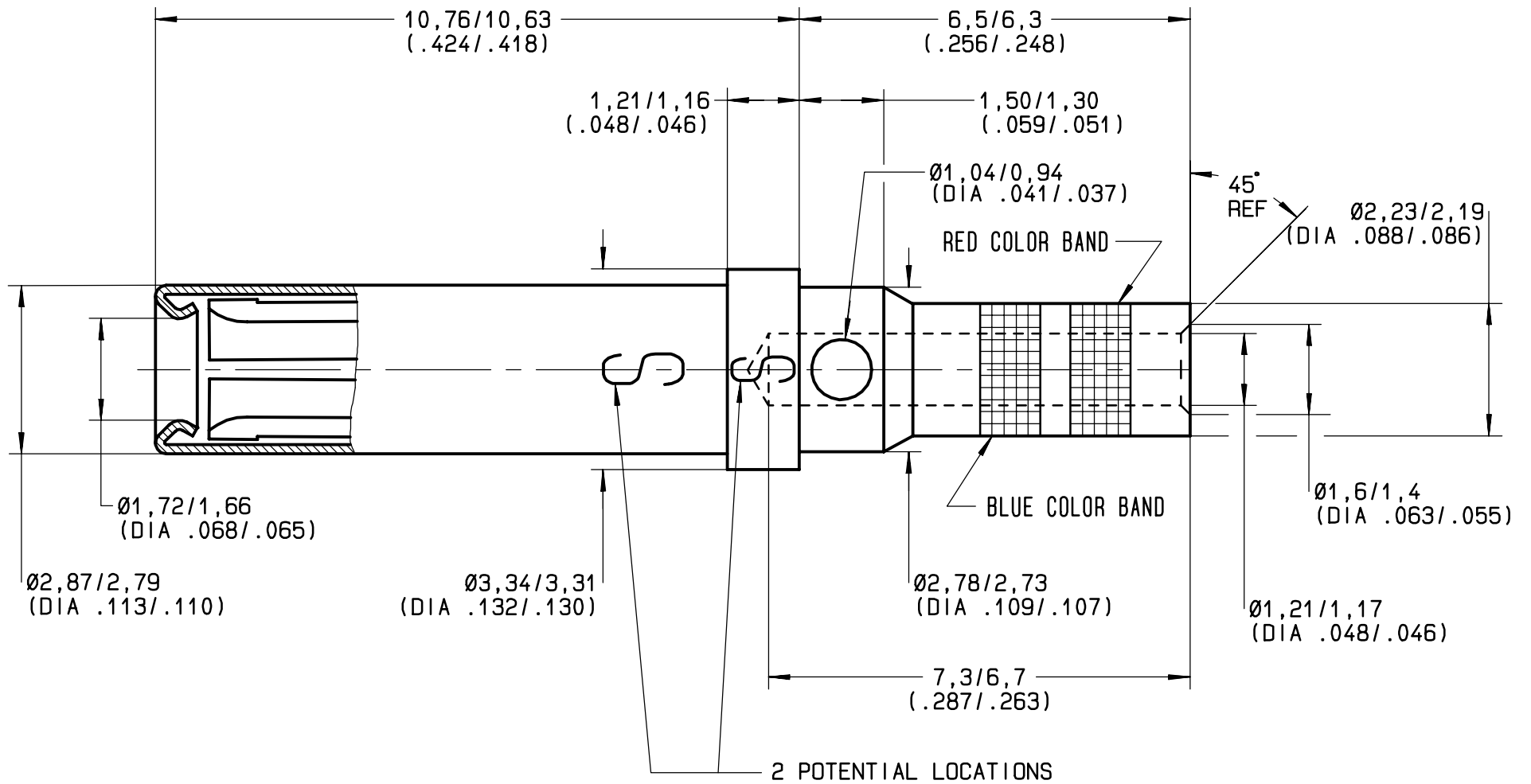


Series
EPX

SIZE 16 CRIMP SOCKET CONTACT
SIZE 20 REDUCED CRIMP BARREL

Issue:
JUNE 27 2001

Page
1 / 1



MATERIAL:

BODY:BERYLLIUM COPPER ALLOY 1/2 HARD HARDNESS IN KNOOP 140 MAX (126 HV) FOR CRIMP BARREL

SLEEVE:STAINLESS STEEL PER AISI 305

FINISH:

BODY:GOLD PER MIL-G-45204 TYPE I OR II GRADE C OR D CLASS 1 50 MICROINCHES OVER NICKEL PLATE PER QQ-N-290

SLEEVE:PASSIVED

WIRES ACCOMODATED:AWG 20-22-24

INSULATOR DIAMETER:.071 MAX (1,80)

STRIP LENGTH:.236 (6)

CRIMP CONTACT TENSILE REQUIREMENTS USING MIL SPEC TOOLING AND WIRE SPEC

MIL-W-81381/12 20 GA. 20 LBS (9 daN)

MIL-W-22759/41 20 GA. 20 LBS (9 daN)

M22520/1-01 20 GA. 20 LBS (9 daN)

CRIMPED CONTACTS WILL SHOW NO CRACK WHEN INSPECTED PER MIL-C-22520 AT 10X

RADIAL TOOLING RECOMMENDATION

CRIMPING TOOL:M22520/1-01 (RADIAL 282 291)

SELECTOR POSITION:5 FOR AWG 20

5 FOR AWG 22

4 FOR AWG 24

POSITIONER:M22520/1-02 (RADIAL 282 972)

INSERTION/EXTRACTION TOOL:M81969/1-03 (RADIAL 282 546)

SPL RADIAL INS. 282 929 / EXT. 282 892

Tyco Part No. 1738016-1

This information is given as an indication. In the continual goal to improve our products, we reserve the right to make any modifications judged necessary.

4112-9311

Issue	Revisions	Name	Approved
JUN 27 01	ADDED 2 POTENTIAL LOCATIONS	G.Chevreau	
Fev 19 99	ADDED RED COLOR BAND (DRAWING MISTAKE)		
20 APR 98	UPDATED FROM DETAIL DRAWING	ARNAULT VALGRESY	VERNEAU GIET
16 APR 98	DIA .109/.107 WAS DIA .109/.106	VALGRESY	L GIET
	ADDED DIA .068/.065		
	DIA .088/.086 WAS DIA .088/.085		

A617341

This product is sold by Tyco Electronics under a license from Radiall SA

Tyco Customer Drawing 1738016 Rev O

Status = Preliminary

PRELIMINARY