

用于 2.4&5GHz 带 For 2.4&5GHz Band

● UB23CP-100ST01



■特点

- 是安装了贴片天线、匹配电路、同轴连接器的天线单元
- 无需进行电路板设计，减少了开发费用和最初成本

■用途

- 无线 LAN

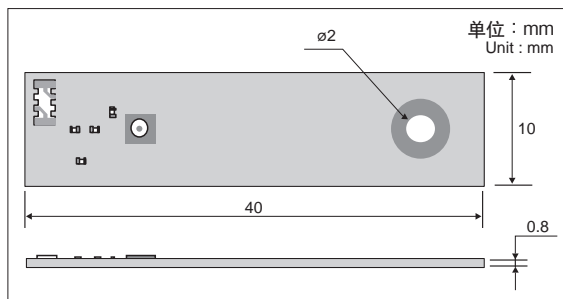
■Features

- The antenna unit has a chip antenna with a matching circuit and a coaxial cable.
- It is a design-free board and can reduce a development cost and initial cost.

■Applications

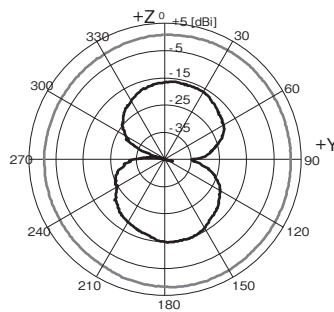
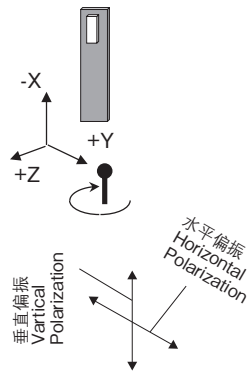
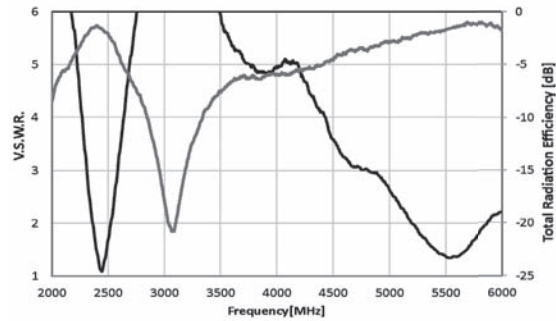
- Wireless LAN

■形状・尺寸 Dimensions

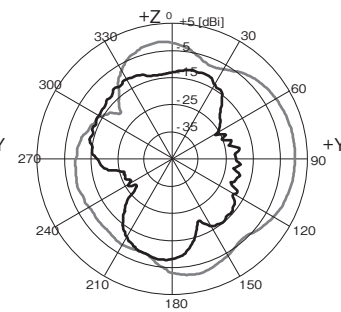


■ V.S.W.R. 的特性及其放射特性 (参考)

V.S.W.R. & radiation characteristics (Reference) :



YZ 面 YZ Plane
2.4GHz



XY 面 XY Plane
5GHz

< 频带宽度 Band width >	
@2.4GHz Band	V.S.W.R. ≤ 3 : 269MHz
@5GHz Band	V.S.W.R. ≤ 3 : 1188MHz
< 增益 Gain >	
@2442MHz	平均 Average : -0.9dBi
	最大 Maximum : +2.1dBi
@5200MHz	平均 Average : -2.3dBi
	最大 Maximum : +2.1dBi

■部品规格 Parts specifications

电路板材质 PCB Material	同轴连接器 & 塞孔 Coaxial connector & receptacle	同轴电缆长度 Coaxial cable length
FR-4	I-PEX MHF Series	100mm