

EDLC 2.7V 400F

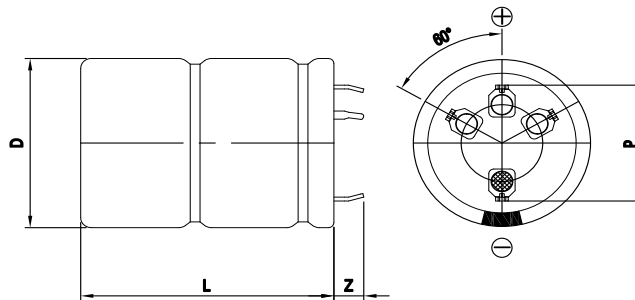


FEATURES

- Electric double layer capacitor
- Higher power density with ultra low ESR
- Semi-permanent, quick charge and discharge than batteries
- Suitable for short-term peak power assistance application
- UL and ISO/TS certificated, RoHS compliant
- Radial design with 4-pin snap-in terminal type



DIMENSIONS



| Dimensions in mm | | | |
|------------------|---------|---------|---------|
| D +1.5 Max | L ± 2.0 | Z ± 1.0 | P ± 0.2 |
| Φ35.0 | 72.0 | 6.0 | 23.0 |

This drawing is not to be scaled.

SPECIFICATIONS

| Part Number | Rated Voltage, V_R (V) | Rated Capacitance (F) | AC ESR 1kHz (mΩ) | DC IR (mΩ) | Maximum Current (A) | Leakage Current (mA) | Stored Energy (J) | Dimension D x L (mm) | Weight (g) |
|----------------|-----------------------------|--------------------------|------------------------|---------------|------------------------|-------------------------|----------------------|----------------------------|---------------|
| VEC 2R7 407 QG | 2.7 | 400. | 3.00 | 4.50 | 190. | 0.800 | 1,458.0 | 35.0 x 72.0 | 80.0 |

* Maximum Current: 1 second discharge to $\frac{1}{2} \cdot V_R$

* Leakage Current: After 72hours at V_R and 25 °C

| Item | Characteristics | Remarks |
|---|-----------------|---|
| Rated Voltage(V_R) | 2.7V | |
| Capacitance Tolerance | -10 ~ 30% | |
| Operating Temperature ($T_{min} \sim T_{max}$) | -40 ~ +65 °C | $ \Delta cap \leq 30\%$ of initial value at 25 °C $ \Delta ESR \leq 100\%$ of specified value at 25 °C After 1,000 hours application of V_R at T_{max} |
| Storage Temperature | -40 ~ 70 °C | |
| Cycle Life | 500,000 cycles | $ \Delta cap \leq 30\%$ of initial value at 25 °C $ \Delta ESR \leq 100\%$ of specified value at 25 °C Cycles from V_R to $\frac{1}{2} \cdot V_R$ under constant current at 25 °C |
| Shelf Life | 2 years | $ \Delta cap \leq 10\%$ of initial value at 25 °C $ \Delta ESR \leq 50\%$ of specified value at 25 °C Without electrical charge under T_{max} |