

用于 920MHz (915MHz) 带 For 920MHz(915MHz) Band

● UB14CP-100ST01



■特点

- 是安装了贴片天线、匹配电路、同轴连接器的天线单元
- 无需进行电路板设计，减少了开发费用和最初成本

■用途

- 智能电表、有源标签等

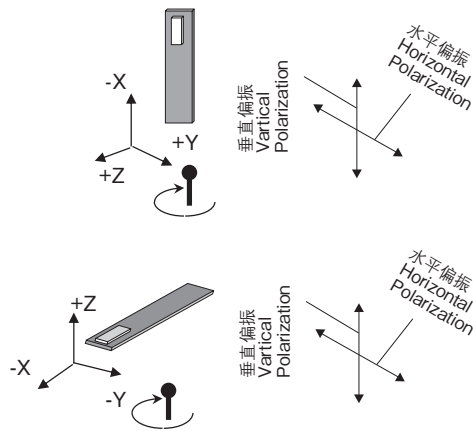
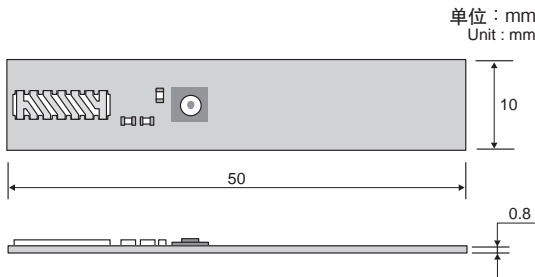
■Features

- The antenna unit has a chip antenna with a matching circuit and a coaxial cable.
- It is a design-free board and can reduce a development cost and initial cost.

■Applications

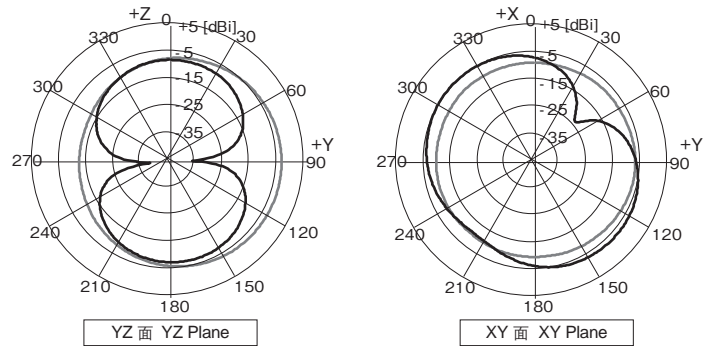
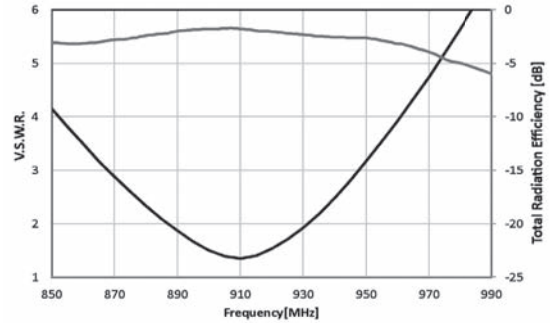
- Smart Meter, Active Tag, etc

■形状・尺寸 Dimensions



■ V.S.W.R. 的特性及其放射特性 (参考)

V.S.W.R. & radiation characteristics (Reference) :



< 频带宽度 Band width >
 V.S.W.R. ≤ 3 : 75MHz
 < 增益 Gain @920MHz >
 平均 Average : -4.2dBi
 最大 Maximum : -1.8dBi

■部品规格 Parts specifications

电路板材质 PCB Material	同轴连接器 & 塞孔 Coaxial connector & receptacle	同轴电缆长度 Coaxial cable length
FR-4	I-PEX MHF Series	100mm