

CDA70L系列是径向型电源线用浪涌吸收器。实现了卓越的浪涌响应性和0.6pF以下低静电容量。虽然是小型低背类型，但是具备8/20μs-2,000A型的抗冲击破坏力。

CDA70L is a radial shaped surge absorber for power supplies. It has excellent surge protection characteristics and its capacitance is lower than 0.6pF. It's small but withstands 2,000A (8/20μsec) surges.

■特点

- 以卷盘形状(引线间距5.0mm/7.5mm节距)应对自动安装。
- 可应对各种AC耐压测试。
- 高品质浪涌响应性。
- 0.6pF以下的低静电容量、100MΩ以上的高绝缘阻抗。
- 可稳定应对反复浪涌。
- 已取得UL1449规格。
- RoHS适应品。
- 无卤素适用产品(根据IEC61249)※

■Features

- Radial taping forming compliant for automatic insertion (5.0mm and 7.5mm width pitch) equipment
- Compliant with various AC withstanding voltage tests
- Excellent surge response
- Capacitance ≤ 0.6pF, insulation resistance ≥ 100Mohm
- Stable for repeated discharge tests
- UL1449 Recognized
- RoHS compliant
- Halogen free (Conforms with IEC61249)※

■型号构成 Part number system

CDA70L — 302 M — G04F

系列名
Series

直流放电开始电压(Vs)
DC Spark-over
voltage(Vs)

直流放电开始电压容许偏差
DC Spark-over
voltage tolerance

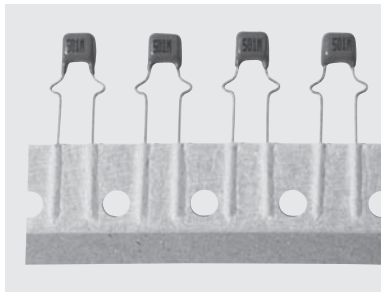
编带形式
Taping form

前2位数字表示电压值的有效数字，第3位数字表示乘幂。
The first two digits are significant, and the third is number of zeros.

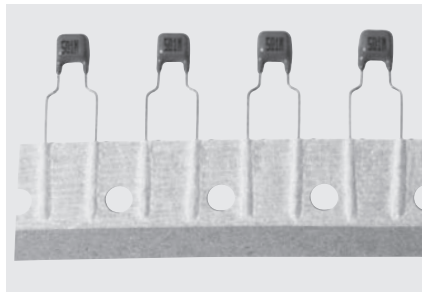
例) 302表示:
30 × 10² = 3000v
Ex) 302 means:
30 × 10² = 3000v

M ±20%

记号 Code	内容 Description
G04F	径向(垂直)编带、扁平带装 Radial flat pack (5.0mm width pitch) taping
H06F	径向(垂直)编带、扁平带装 Radial flat pack (7.5mm width pitch) taping



G04F



H06F

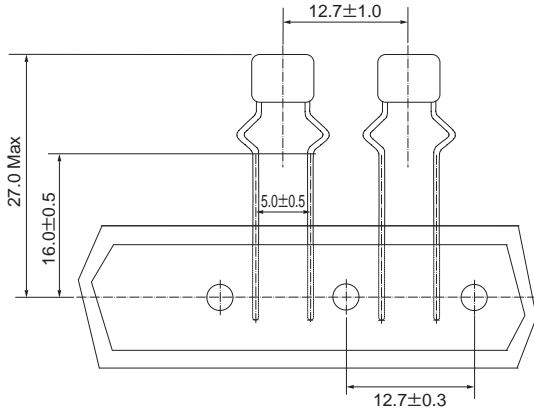
■特性 Characteristics

型号 Part number	直流放电开始电压 DC Spark-over voltage Vs	绝缘阻抗 Insulation resistance IR		静电容量 Electrostatic capacitance 1kHz-6V max. C	浪涌耐量 Surge current Capacity 8/20 μs	浪涌寿命 Surge life test	AC耐电压 Withstanding Voltage	UL规格认证产品 UL recognized	EN规格认证产品 EN recognized						
		100MΩmin.	DC100V					0.6pF max.	2,000A	8/20 μs 100A 300times	—	3) UL1449	4) EN60065 EN60950-1		
NEW CDA70L-301M	300V(240~360)			DC100V	0.6pF max.	2,000A	8/20 μs 100A 300times					—	○ 1)	—	
NEW CDA70L-501M	500V(400~600)			DC250V									○ 1)	—	
NEW CDA70L-701M	700V(560~840)			DC250V									○ 1)	—	
NEW CDA70L-102M	1,000V(800~1,200)			DC500V									○ 1)	—	
NEW CDA70L-152M	1,500V(1,200~1,800)			DC500V									○ 1)	—	
NEW CDA70L-272M	2,700V(2,160~3,240)			DC500V									AC1,200V-3sec. AC1,000V-1min.	○ 1)	—
NEW CDA70L-302M	3,000V(2,400~3,600)			DC500V									AC1,500V-1min.	○ 1)	○ 2)
NEW CDA70L-362M	3,600V(2,880~4,320)	DC500V	AC1,800V-3sec.	○ 1)				○ 2)							

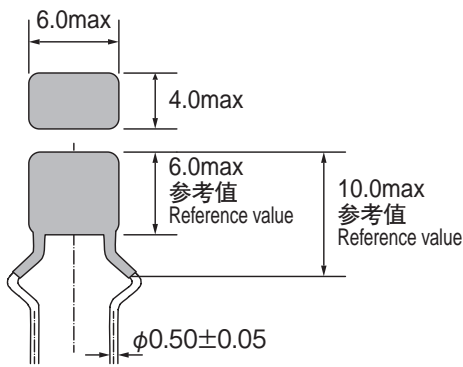
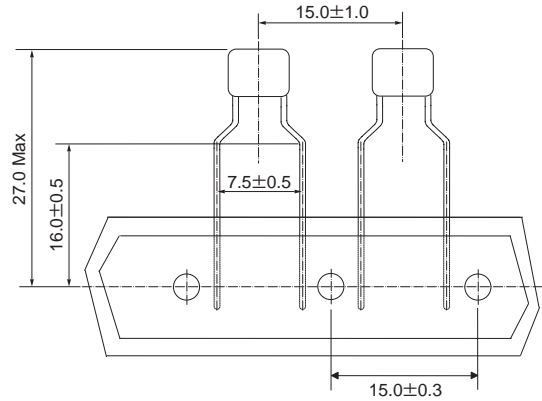
- 1) : 与压敏电阻 (AC125V:V1mA≥270V, D≥ø10mm, AC250V:V1mA≥470V, D≥ø10mm) 电气串接(导线绕焊、压接、焊接等)即可被认证。
Approved if used with a varistor (125VAC : V1mA≥270V, D≥ø10mm, 250VAC : V1mA≥470V, D≥ø10mm), electrically connected in series (soldered, crimped, or welded).
- 2) : 与压敏电阻 (V1mA≥470V, D≥ø5mm) 电气串接(导线绕焊、压接、焊接)即可被认证。
Approved if used with a varistor (V1mA≥470V, D≥ø5mm), electrically connected in series (soldered, crimped, or welded).
- 3) : UL Standard UL 1449 File No. E318314
- 4) : TÜV Report No.J50164470

形状・尺寸 Dimensions

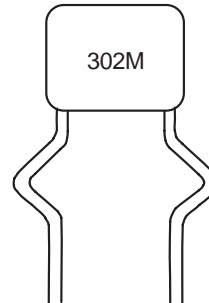
G04F Type



H06F Type



标记 Marking



标记 Marking	型号 Part number
301M	CDA70L-301M
501M	CDA70L-501M
701M	CDA70L-701M
102M	CDA70L-102M
152M	CDA70L-152M
272M	CDA70L-272M
302M	CDA70L-302M
362M	CDA70L-362M

无卤素产品的定义 ※ Definition of halogen-free products ※

定义为没有向组成电子元件的材料中有目的地添加卤化物的材料，符合以下必要条件的定义为无卤素产品。

这些必要条件符合 IEC61249-2-21 规定，满足欧洲主要厂商的要求值。

1. 均质材料中氯的含量在 900ppm 以下
2. 均质材料中溴的含量在 900ppm 以下
3. 均质材料中氯和溴合计的含量在 1500ppm 以下

No halogen products are intentionally added to constituent materials used to make these products. Products designated "halogen-free" must conform to the requirements listed below:

These parts conform to IEC61249-2-21 specifications as well as the limits stipulated by major European manufacturers.

1. Chlorine concentration under 900ppm in homogeneous materials.
2. Bromine concentration under 900ppm in homogeneous materials.
3. Total chlorine and bromine concentration under 1500ppm in homogeneous materials.