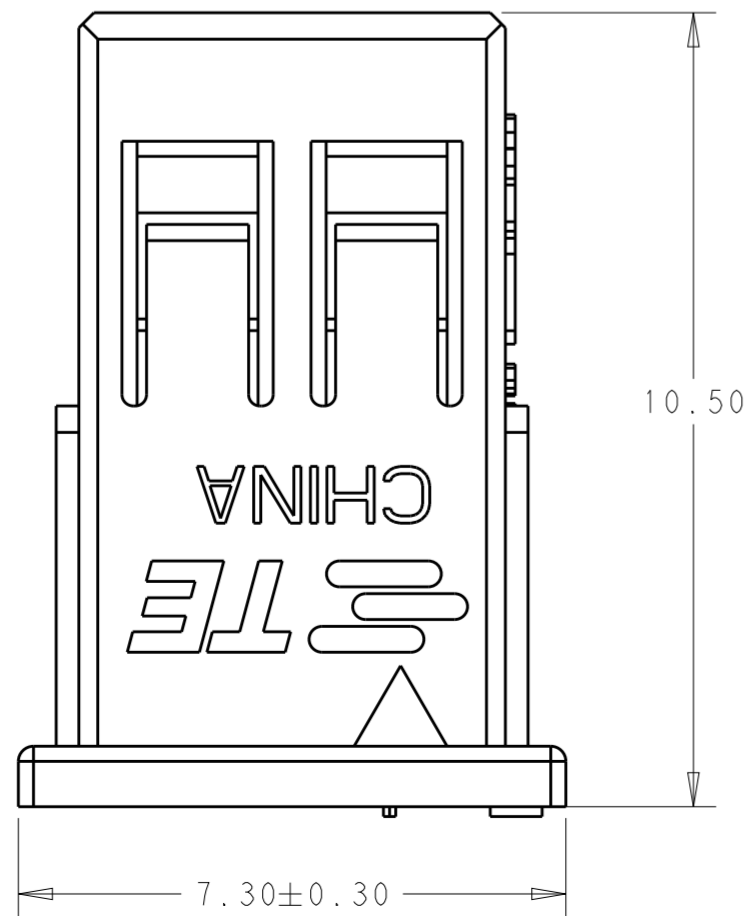
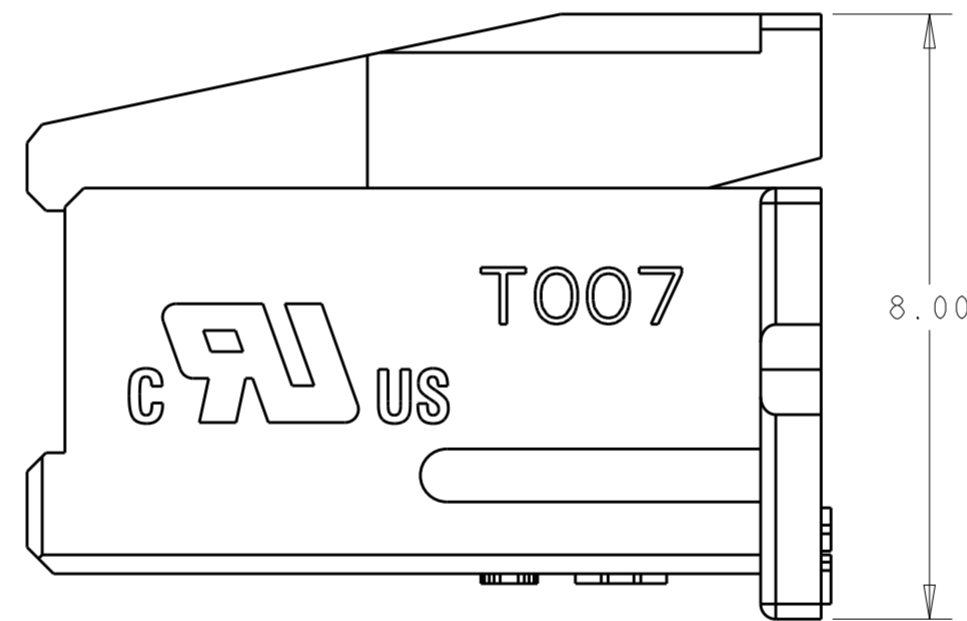
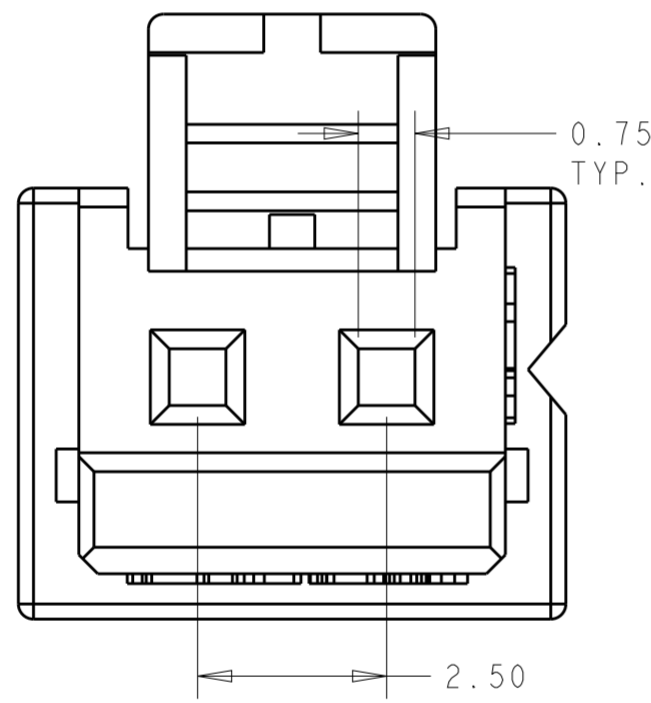
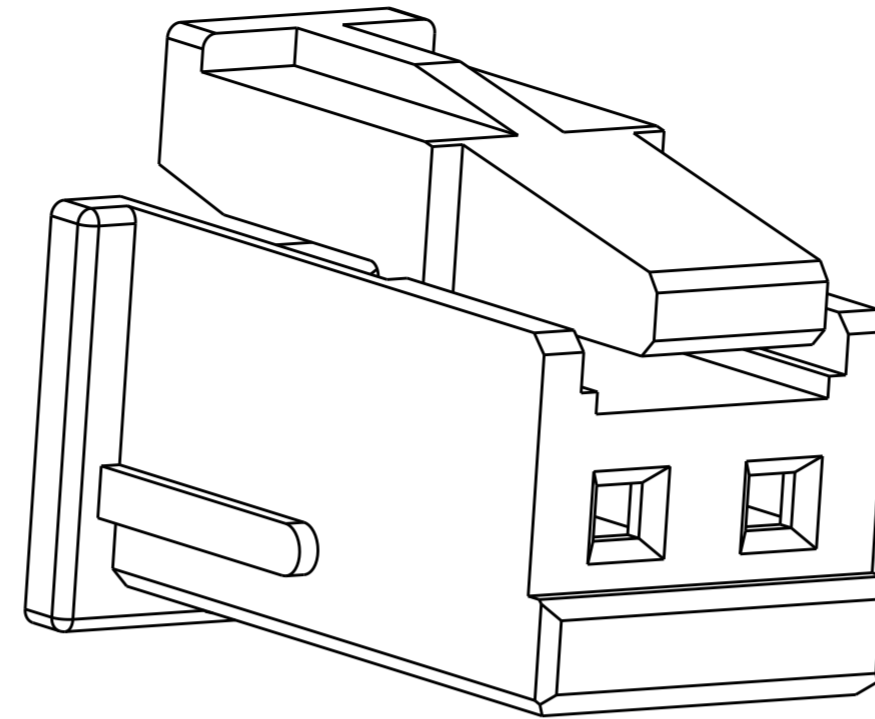
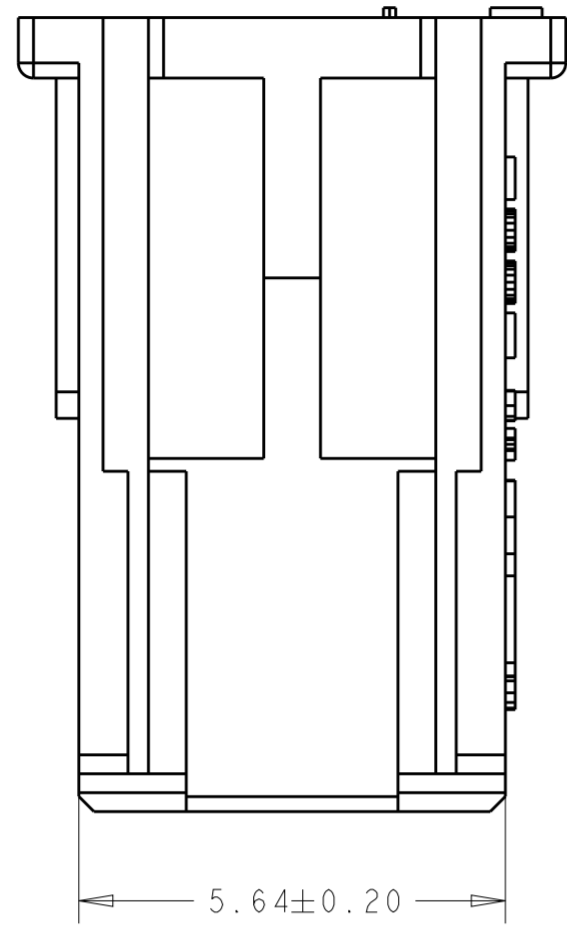


THIS DRAWING IS UNPUBLISHED. RELEASED FOR PUBLICATION  
 © COPYRIGHT copyright.d8te- ALL RIGHTS RESERVED.

REVISIONS				
P	LTR	DESCRIPTION	DATE	APVD
A		RELEASED	14 JUL 16	O.C D.Z

- 1 MATERIAL: NYLON, UL 94V-0, NATURAL.
- 2 CAN ACCEPT OPTIONAL TPA (RETAINER) P/N 1969443-2.



2	2301559-2
NO. OF POSITIONS	PART NUMBER

THIS DRAWING IS A CONTROLLED DOCUMENT.		DWN OTIO CHEN 14 JUL 2016	<b>STE</b> TE Connectivity	
DIMENSIONS: mm		CHK DANIEL 20 JUL 2016		
TOLERANCES UNLESS OTHERWISE SPECIFIED:		APVD DANIEL 20 JUL 2016	NAME ECONOMY POWER 2.5 PLUG HOUSING, 2POS.	
0 PLC ±-		PRODUCT SPEC 108-2418	SIZE A2	
1 PLC ±-		APPLICATION SPEC 114-13315	CAGE CODE -	DRAWING NO C-2301559
2 PLC ±0.25		WEIGHT -	RESTRICTED TO -	SCALE 10:1
3 PLC ±-		CUSTOMER DRAWING	SHEET 1	OF 1
4 PLC ±-			REV A	
ANGLES ±-				
FINISH				