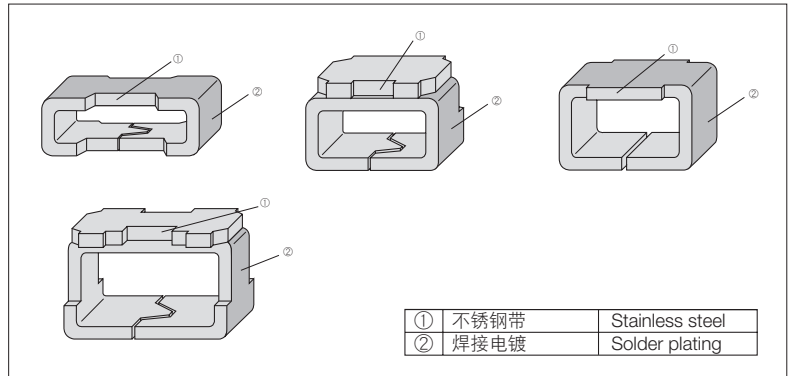


RCU·RCT·RCS·RCW 片式检测器 Checker Chips



■ 结构图 Construction



■ 品名构成 Type Designation

实例 Example

RCU	C	TE
品种 Product Code	端子表面材质 Terminal Surface Material	二次加工 Taping
RCU RCT RCS RCW	C: SnCu	TE: 4mm pitch plastic embossed (7 inch reel) TED: 4mm pitch plastic embossed (10 inch reel) (Not RCW) BK: Bulk

欲知关于此产品含有的环境负荷物质详情（除EU-RoHS以外），请与我们联系。
编带细节请参考卷末附录C。

Contact us when you have control request for environmental hazardous material other than the substance specified by EU-RoHS.

For further information on taping, please refer to APPENDIX C on the back pages.

■ 特点 Features

- 是可以表面贴装的片式检测器。
- 可以用通常的芯片安装器自动装载。
- 可以对照用途，从3.2×1.6、2.0×1.25、1.6×0.8三种型号中选择（3.2×1.6型，有1.25mm和2mm两种高度）。
- 对应波峰、回流焊焊接。
- 由于只在外侧表面进行焊接电镀，内部没有焊接的结构。
- 符合欧盟RoHS。
- AEC-Q200相关数据已取得（RCU）。
- Surface-mountable chip type check terminals.
- Automatic mounting can be done by an ordinary chip mounter.
- Inch size code 1206, 0805 and 0603 are available.
(for size 1206, two kinds of the height 1.25mm and 2mm are provided.)
- Suitable for both flow and reflow solderings.
- Since only the outside surface is solder-plated, the inside is structured unsolderable.
- Products meet EU-RoHS requirements.
- AEC-Q200 qualified (RCU).

■ 用途 Applications

- 装置调整和修理时，从打印电路板上取出信号用的端子。
- Terminals for checking signals from a P.C. board when adjusting and repairing the set.

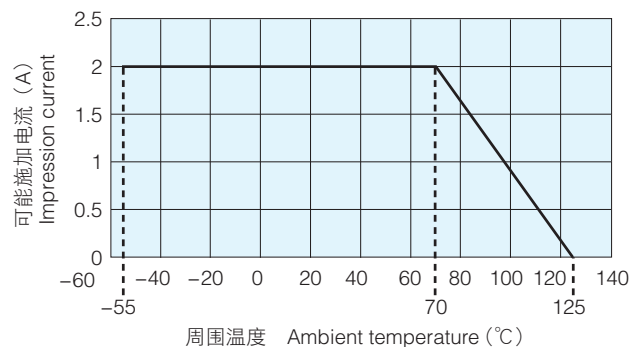
■ 额定值 Ratings

型号 Type	额定电流 Rated Current	电阻值 Resistance	额定环境温度 Rated Ambient Temperature	使用温度范围 Operating Temperature Range	编带和包装数/卷 Taping & Q'ty/Reel (pcs)	
					TE	TED
RCU	2A	50mΩ以内 50mΩ or less	+70℃	-55℃~+125℃	2,000	5,000
RCT					2,000	5,000
RCS					2,000*	5,000*
RCW					2,000	-

※ RCS包装时没有上下区别。

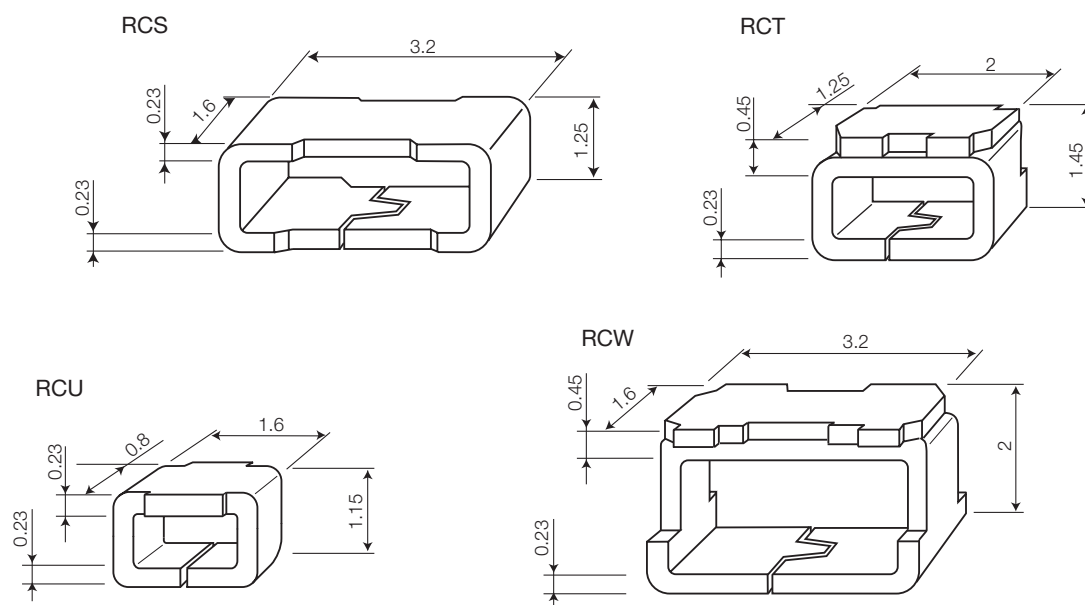
※ RCS can be packaged upside down for taping.

■ 负荷减轻特性曲线 Derating Curve



在环境温度70℃以上使用时，应按照上图负荷减轻特性曲线，减小额定功率。
For resistors operated at an ambient temperature of 70°C or above, a power rating shall be derated in accordance with the above derating curve.

■ 外形尺寸 Dimensions (mm)



型号 Type (Inch Size Code)	Weight (g) (1000pcs)
RCU (0603)	6.4
RCT (0805)	13.9
RCS (1206)	21.5
RCW (1206)	26.8

■ 性能 Performance

试验项目 Test Items	标准值 Performance Requirements Real R		试验方法 Test Methods
	保证值 Limit	代表值 Typical	
电阻值 Resistance	50mΩ以下 50mΩ Max. after the test	10mΩ以下 10mΩ Max. after the test	25°C
耐焊接热 Resistance to soldering heat	50mΩ以下 50mΩ Max. after the test	10mΩ以下 10mΩ Max. after the test	260°C ± 5°C, 10s ± 1s
温度突变 Rapid change of temperature	50mΩ以下 50mΩ Max. after the test	10mΩ以下 10mΩ Max. after the test	-55°C (30min.) / +125°C (30min.) 100 cycles
高温放置 High temperature exposure	50mΩ以下 50mΩ Max. after the test	10mΩ以下 10mΩ Max. after the test	+125°C, 240h

■ 使用注意事项 Precautions for Use

- 对于探头的连接，由于芯片会脱落，牵引载荷·检测针的推按载荷应低于1kgf。
- Regarding the connection of probes, pulling and pushing load at the measurement and inspection pointer must be 1kgf or less because the chips may drop off.