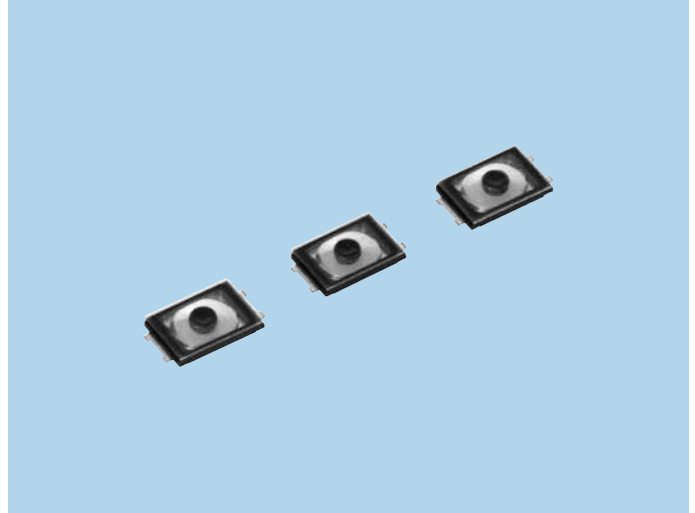


Small Type Tactile Switches STO Series

FEATURES

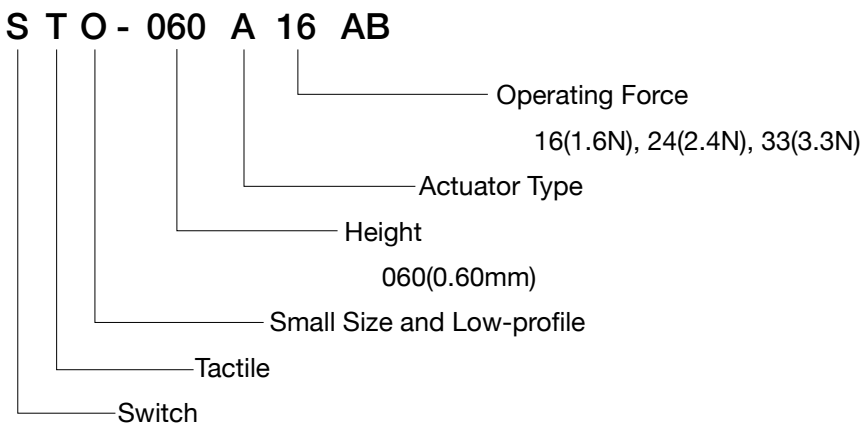
1. Small size and mounting area (Width 2.0mm).
2. Good feeling with the actuator.
3. Suitable for high load support (3.3N)
4. IPX8 water resistance.



APPLICATIONS

Mobile Phones, Smartphones, Digital Cameras, Game Machines and etc.

MODEL NAME CODE



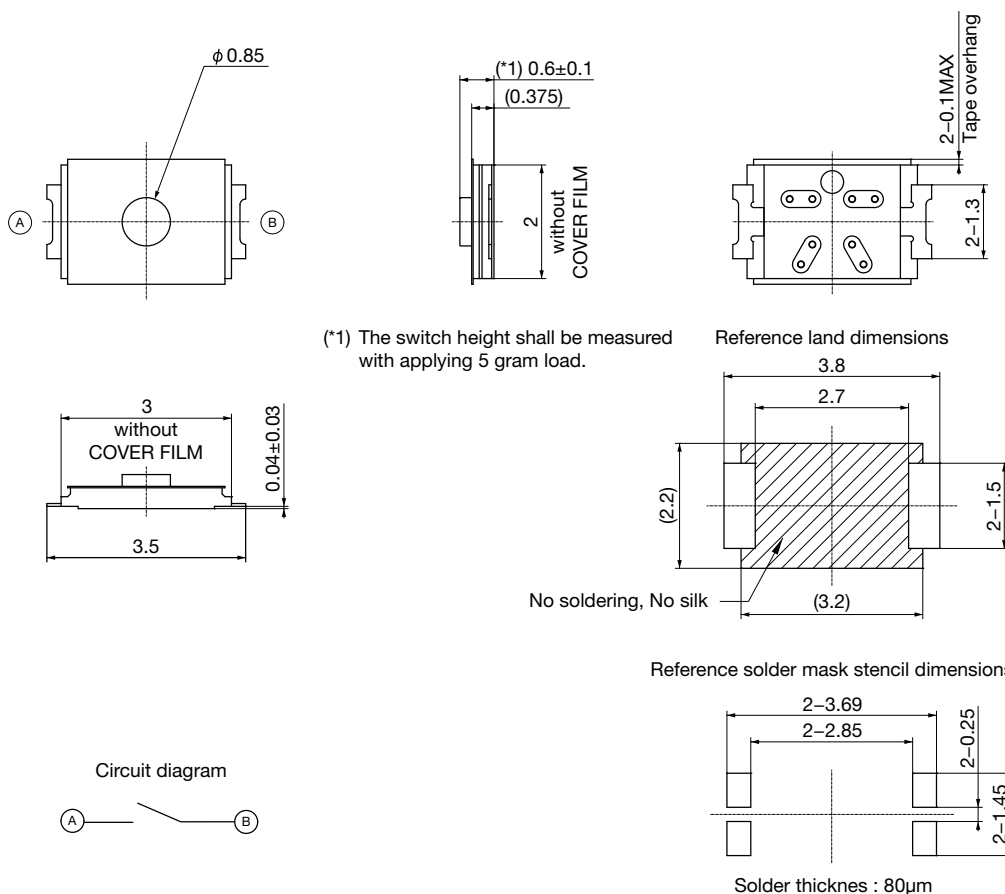
SPECIFICATIONS

Electrical Characteristics	Rating (Resistive load)	DC15V, 20mA
	Contact Resistance	500mΩ or less
	Insulation Resistance	50MΩ or more
	Withstand Voltage	1 minute at AC 100V
Life	STO-060A16AB	500,000 times
	STO-060A24AB	500,000 times
	STO-060A33AC	300,000 times
Water Resistance	Protective resistance	IPX8

TYPE

Model Name Code	Model Name	Operating Force	Boss	Pcs/Reel
STO-060A16AB	R66 7995	1.6N	Without	20,000
STO-060A24AB	R66 7996	2.4N	Without	20,000
STO-060A33AC	R66 8003	3.3N	Without	20,000

DIMENSIONS



Unit: mm