

TORQUE TRANSDUCER TYPE TMNR-10KNM

SPECIFICATIONS

A	Rated capacity(R.C.)	: 10 kN·m
	Safe overload	: 120 %R.C.
	Max. Safe overload	: 200 %R.C.
	Rated output(R.O.)	: 1.6 mV/V±0.32 mV/V (in case of combine CSA-561)
	Accuracy (Include Non-linearity, Hysteresis and Repeatability)	: 0.5 %R.O. (in case of combine CSA-561)
	Recommended excitation	: 2 V AC
	Insulation resistance (Bridge-body)	: 500 MΩ or more
	Surrounding temperature range	: 0 ℃ to 40 ℃ (because heat generation of Bearings.)
	Safe temperature range	: 0 ℃ to 90 ℃
	B	Temperature effect on zero balance
Temperature effect on output		: 0.2 %LOAD/10℃
Max. revolution		: 4000 r.p.m.

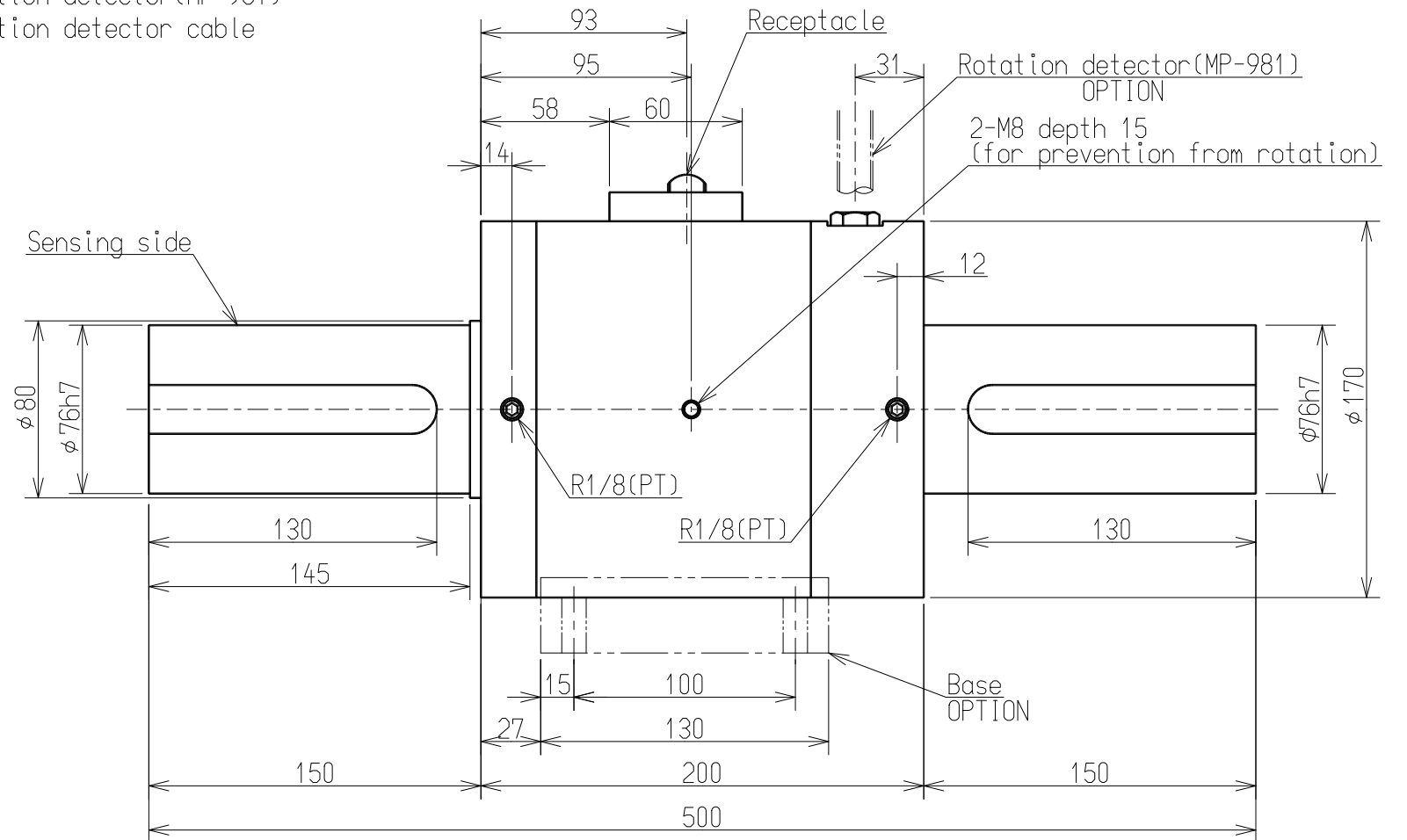
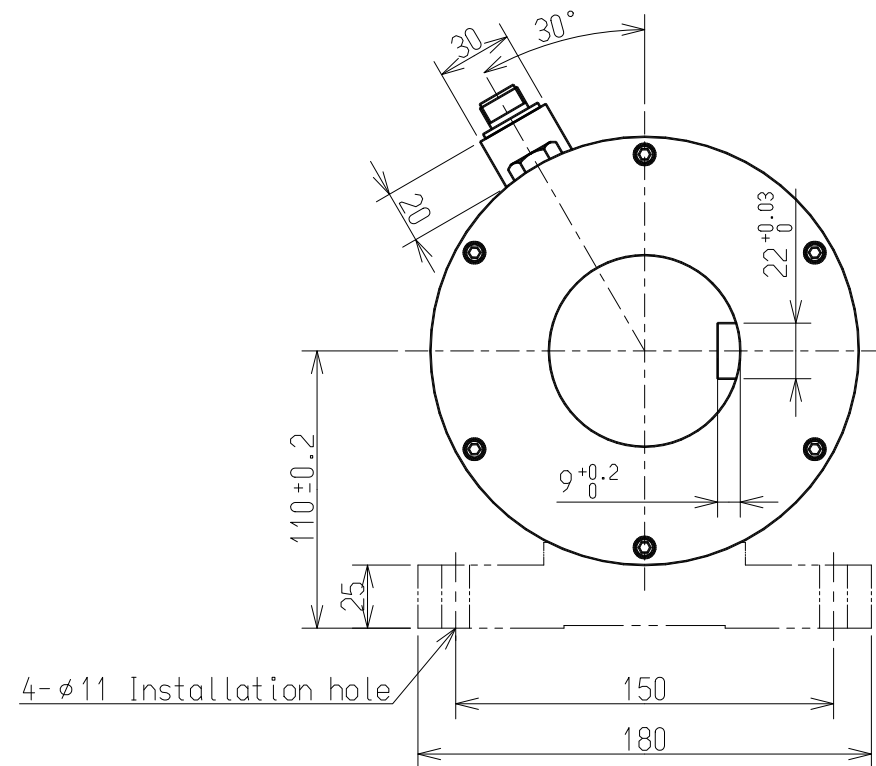
Rotation effect	: 0.3 %R.O. on zero balance
Generation of heat	: 50 ℃ or under/Max.revolution caused by rotation
IP class	: IP40
Rotation finder gear (build in)	: S45C,120tooth 1module,tooth width 10mm
Rotor weight	: approx. 20.5 kg
Total weight	: approx. 32 kg

Rotor inertia (kg·cm ²)	193.2
Rotor GD2 (kg·cm ²)	772.8
Torsional stiffness (kN·m/rad)	744.8
Torsion peculiar pitch (kHz)	2.5
Twist angle at R.C. (°)	0.754
Safe radial load (N)	980.7
Safe radial load(Static) (N)	4903
Safe thrust load (N)	490.3
Bearing	6016ZZ

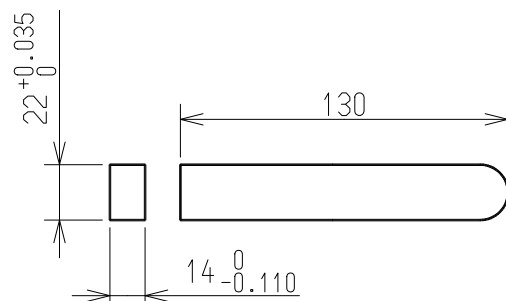
ATTACHMENT
 Cable : φ10 4core shield 5m
 Connector:TC1108-12A10-7M10.0
 PRC03-12A10-7M10.5
 Key : S45C,2pcs

【NOTES】
 Safe radial load:
 Above data is at maximum speed.
 Safe radial load(static):
 Above data is direct loading by static test.

OPTION
 Base(NRBS-4)
 Rotation detector(MP-981)
 Rotation detector cable



【KEY】



公布	
K	
S	
T	
F	

				ミネベア株式会社 MINEBEA CO.,LTD. 計測機器事業部		単位 UNIT mm 尺度 SCALE Free	材質 MATERIAL - 表面粗さ SURF.ROUGH. - 熱処理 HEAT TREAT. - 表面処理 FINISH -	作成日 DATE 2015.02.10 品名 DESCRIPTION OUTLINE 品番 PART NO.(MODEL NO.) TMNR-10KNM 図番 DRAWING NO. KT53909-2	葉番 SHEET 1 / 1 改訂 REV. -
符号 MARK	日付 DATE	変更事項 REASON	ECN NO.			寸法 L <L≤4 ±0.1 4<L≤16 ±0.2 16<L≤63 ±0.3 63<L≤250 ±0.5 250<L≤1000 ±0.8 角度 DEG ±0.5			
-	2015.02.10	NEW							