

TORQUE TRANSDUCER TYPE TMNR-100NM, 200NM

SPECIFICATIONS

A	Rated capacity(R.C.)	: 100 N·m, 200 N·m
	Safe overload	: 120 %R.C.
	Max. Safe overload	: 200 %R.C.
	Rated output(R.O.)	: 1.6 mV/V±0.32 mV/V (in case of combine CSA-561)
	Accuracy (Include Non-linearity, Hysteresis and Repeatability)	: 0.5 %R.O. (in case of combine CSA-561)
	Recommended excitation	: 2 V AC
	Insulation resistance (Bridge-body)	: 500 MΩ or more
	Surrounding temperature range	: 0 ℃ to 40 ℃ (because heat generation of Bearings.)
	Safe temperature range	: 0 ℃ to 90 ℃
	B	Temperature effect on zero balance:
	Temperature effect on output	: 0.2 %LOAD/10℃
	Max. revolution	: 10000 r.p.m.

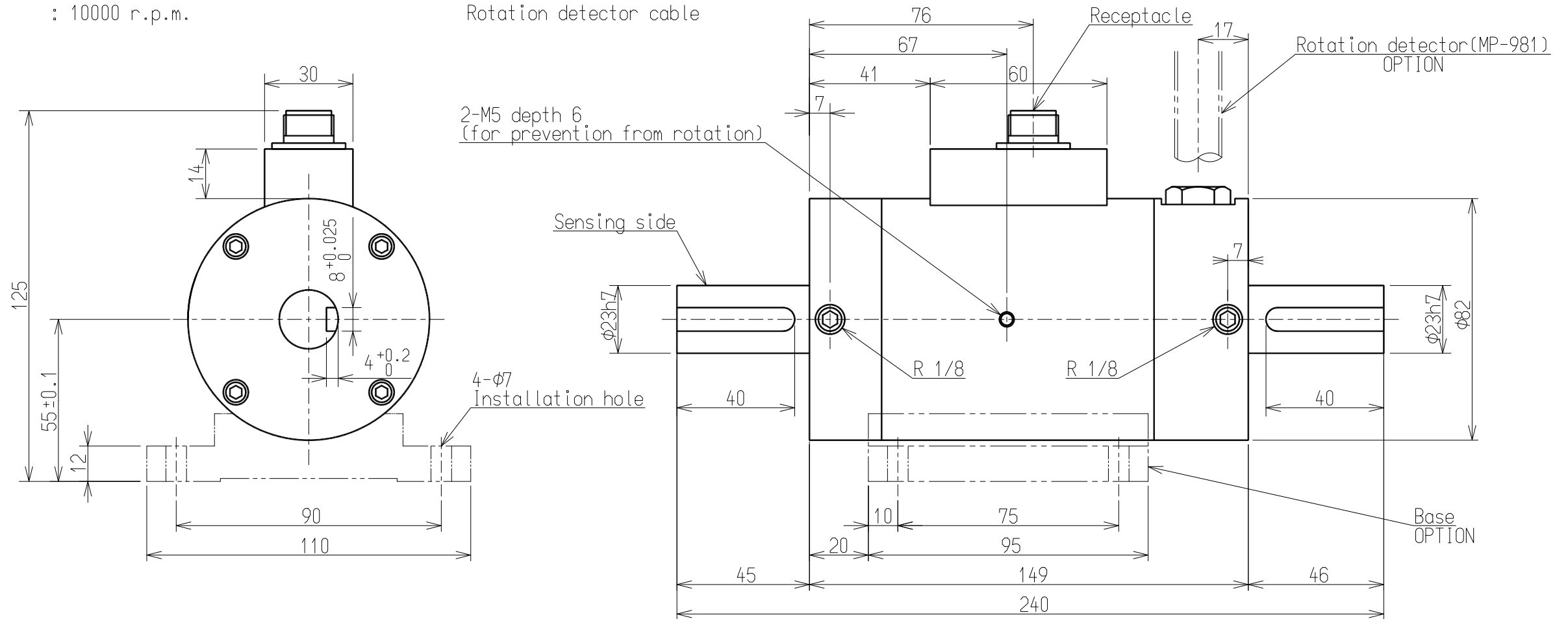
Rotation effect	: 0.5 %R.O. on zero balance
Generation of heat	: 40 ℃ or under/Max.revolution caused by rotation
IP class	: IP40
Rotation finder gear (build in)	: S45C,60tooth 1module,tooth width 8mm
Rotor weight	: approx. 1.5 kg
Total weight	: approx. 3.0 kg

ATTACHMENT	Cable : φ10 4core shield 5m Connector:TC1108-12A10-7M10.0 PRC03-12A10-7M10.5
	Key : S45C,2pcs

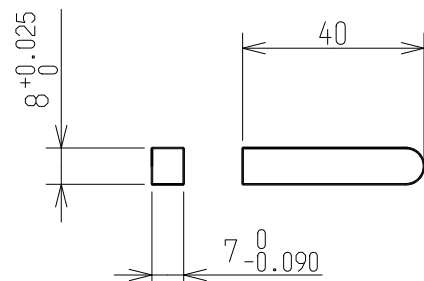
Model(Capacity indicated)	100NM	200NM
Rotor inertia (kg·cm ²)	2.873	3.011
Rotor GD2 (kg·cm ²)	11.49	12.04
Torsional stiffness (kN·m/rad)	6.296	11.21
Torsion peculiar pitch (kHz)	3.9	5.2
Twist angle at R.C. (°)	0.892	1.003
Safe radial load (N)	29.42	34.32
Safe radial load(Static) (N)	98.07	196.1
Safe thrust load (N)	98.07	98.07
Bearing	6005ZZ	6005ZZ

【NOTES】
Safe radial load:
Above data is at maximum speed.
Safe radial load(static):
Above data is direct loading by static test.

OPTION	Base(NRBS-1) Rotation detector(MP-981) Rotation detector cable
--------	--



【KEY】



公布	
K	
S	
T	
F	

		ミネベア株式会社 MINEBEA CO.,LTD. 計測機器事業部		単位 UNIT mm 尺度 SCALE Free	材質 MATERIAL - 表面粗さ SURF.ROUGH. - 熱処理 HEAT TREAT. - 表面処理 FINISH -	作成日 DATE 2015.02.10 品名 DESCRIPTION OUTLINE
符号 MARK 日付 DATE 変更事項 REASON ECN NO.		一般公差 寸法 L 公差 <L≤4 ±0.1 4<L≤16 ±0.2 16<L≤63 ±0.3 63<L≤250 ±0.5 250<L≤1000 ±0.8 角度 DEG ±0.5	品番 PART NO.(MODEL NO.) TMNR-100NM,200NM 図番 DRAWING NO. KT53906-2	葉番 SHEET 1/1 改訂 REV. -		