

## PR6246Series

Minebea Intec

2022/09/20

### Features



- Stainless steel housing:SUS630 equivalent
- Completely waterproof IP68
- Ultra-high accuracy,C6: 1/12500

### Specification

Specification name	Specification contents	Specification contents2	Specification contents3
OIML Accuracy class	D1	D1E	C3
Accuracy class	0.04%Emax	0.04%Emax	0.015%Emax
Safe load limit	150%Emax	150%Emax	150%Emax
Destructive load	> 300%Emax	> 300%Emax	300%Emax
Rated output	2.0mV/V	2.0mV/V	2.0mV/V
Rated output tolerance	<0.25%Cn	<0.25%Cn	<0.07%Cn

## PR6246Series

2022/09/20

Minebea Intec

Zero balance	<1.0%Cn	<1.0%Cn	<1.0%Cn
Reproducibility	<0.01%Cn	<0.01%Cn	<0.005%Cn
Creep	<0.03%Cn	<0.03%Cn	<0.015%Cn
Non-linearity	<0.03%Cn	<0.03%Cn	<0.01%Cn
Hysteresis	<0.04%Cn	<0.04%Cn	<0.015%Cn
Temperature effect on Zero	<0.028%Cn/10K	<0.028%Cn/10K	<0.01%Cn/10K
Temperature effect on Span	<0.03%Cn/10K	<0.03%Cn/10K	<0.01%Cn/10K
Input resistance	644Ω~656Ω	644Ω~656Ω	644Ω~656Ω
Rated output	609Ω~611Ω	609Ω~611Ω	609Ω~611Ω
Insulation resistance	>5000×106Ω	>5000×106Ω	>5000×106Ω
Nominal supply voltage	4~24V	4~24V	4~24V
Maximum supply voltage	28V	25V	28V
Nominal ambient temperature range	-10℃~+55℃	-10℃~+55℃	-10℃~+55℃
Usable ambient temperature range	-40℃~+95℃	-40℃~+95℃	-40℃~+95℃
Storage ambient temperature range	-40℃~+95℃	-40℃~+95℃	-40℃~+95℃
Explosion-proof certification in Japan	【JPEX】 Ex ia IIC T6 Ga(DEK19.0067/DEKRA)	【JPEX】 Ex ia IIC T6 Ga(DEK19.0067/DEKRA)	【JPEX】 Ex ia IIC T6 Ga(DEK19.0067/DEKRA)
Conforms to overseas explosion protection standards	【IECEX】 Ex ia IIC T6 Ga/ 【ATEX】 II 1G Ex ia IIC T6 Ga	【IECEX】 Ex ia IIC T6 Ga/ 【ATEX】 II 1G Ex ia IIC T6 Ga	【IECEX】 Ex ia IIC T6 Ga/ 【ATEX】 II 1G Ex ia IIC T6 Ga
Class of protection	IP68 / IEC 529 (completely waterproof · water depth 1.5m 10000h)	IP68 / IEC 529 (completely waterproof · water depth 1.5m 10000h)	IP68 / IEC 529 (completely waterproof · water depth 1.5m 10000h)
Material of element	Body: Stainless steel 1.4542 (DIN 17440) S 604, S 622 (B.S), 17-4 PH equivalent	Body: Stainless steel 1.4542 (DIN 17440) S 604, S 622 (B.S), 17-4 PH equivalent	Body: Stainless steel 1.4542 (DIN 17440) S 604, S 622 (B.S), 17-4 PH equivalent
Cable specification	Polyethylene, 4 core shielded cable / length 5m / diameter 5mm / cable 4 x 0.35mm <sup>2</sup>	Polyethylene, 4 core shielded cable / length 5m / diameter 5mm / cable 4 x 0.35mm <sup>2</sup>	Polyethylene, 4 core shielded cable / length 5m / diameter 5mm / cable 4 x 0.35mm <sup>2</sup>
Wiring specification	Applied voltage +red/-blue Output signal +green/-ash	Applied voltage +red/-blue Output signal +green/-ash	Applied voltage +red/-blue Output signal +green/-ash

Specification contents4	Specification contents5	Specification contents6
C3E	C6	C6E
0.015%Emax	0.008%Emax	0.008%Emax
150%Emax	150%Emax	150%Emax

# PR6246Series

2022/09/20

Minebea Intec

300%Emax	300%Emax	300%Emax
2.0mV/V	2.0mV/V	2.0mV/V
<0.07%Cn	<0.07%Cn	<0.07%Cn
<1.0%Cn	<1.0%Cn	<1.0%Cn
<0.005%Cn	<0.005%Cn	<0.005%Cn
<0.015%Cn	<0.008%Cn	<0.008%Cn
<0.01%Cn	<0.01%Cn	<0.01%Cn
<0.015%Cn	<0.008%Cn	<0.008%Cn
<0.01%Cn/10K	<0.007%Cn/10K	<0.007%Cn/10K
<0.01%Cn/10K	<0.005%Cn/10K	<0.005%Cn/10K
644Ω~656Ω	644Ω~656Ω	644Ω~656Ω
609Ω~611Ω	609Ω~611Ω	609Ω~611Ω
>5000×106Ω	>5000×106Ω	>5000×106Ω
4~24V	4~24V	4~24V
25V	28V	25V
-10℃~+55℃	-10℃~+55℃	-10℃~+55℃
-40℃~+95℃	-40℃~+95℃	-40℃~+95℃
-40℃~+95℃	-40℃~+95℃	-40℃~+95℃
【JPEX】 Ex ia IIC T6 Ga(DEK19.0067/DEKRA)	【JPEX】 Ex ia IIC T6 Ga(DEK19.0067/DEKRA)	【JPEX】 Ex ia IIC T6 Ga(DEK19.0067/DEKRA)
【IECEX】 Ex ia IIC T6 Ga/ 【ATEX】 II 1G Ex ia IIC T6 Ga	【IECEX】 Ex ia IIC T6 Ga/ 【ATEX】 II 1G Ex ia IIC T6 Ga	【IECEX】 Ex ia IIC T6 Ga/ 【ATEX】 II 1G Ex ia IIC T6 Ga
IP68 / IEC 529 (completely waterproof · water depth 1.5m 10000h)	IP68 / IEC 529 (completely waterproof · water depth 1.5m 10000h)	IP68 / IEC 529 (completely waterproof · water depth 1.5m 10000h)
Body: Stainless steel 1.4542 (DIN 17 440) S 604, S 622 (B.S), 17-4 PH equivalent	Body: Stainless steel 1.4542 (DIN 17 440) S 604, S 622 (B.S), 17-4 PH equivalent	Body: Stainless steel 1.4542 (DIN 17 440) S 604, S 622 (B.S), 17-4 PH equivalent
Polyethylene, 4 core shielded cable / length 5m / diameter 5mm / cable 4 x 0.35mm2	Polyethylene, 4 core shielded cable / length 5m / diameter 5mm / cable 4 x 0.35mm2	Polyethylene, 4 core shielded cable / length 5m / diameter 5mm / cable 4 x 0.35mm2
Applied voltage +red/-blue Output signal +green/-ash	Applied voltage +red/-blue Output signal +green/-ash	Applied voltage +red/-blue Output signal +green/-ash

## Table of P/N

Parts No.	Rated Capacity	Weight [kg]	Gross Weight	Packaged Size(W)	Packaged Size(L)	Packaged Size(H)
-----------	----------------	-------------	--------------	------------------	------------------	------------------

# PR6246Series

2022/09/20

Minebea Intec

	[kgf]	[kg]	[kg]	[cm]	[cm]	[cm]
PR6246/12 D1	100	0.7	1.1	22	21.5	13.5
PR6246/22 D1	200	0.7	1.1	22	21.5	13.5
PR6246/22 C3	200	0.7	1.1	22	21.5	13.5
PR6246/22 C6	200	0.7	1.1	22	21.5	13.5
PR6246/32 D1	300	0.7	1.1	22	21.5	13.5
PR6246/32 C3	300	0.7	1.1	22	21.5	13.5
PR6246/32 C6	300	0.7	1.1	22	21.5	13.5
PR6246/52 D1	500	0.7	1.1	22	21.5	13.5
PR6246/52 C3	500	0.7	1.1	22	21.5	13.5
PR6246/52 C6	500	0.7	1.1	22	21.5	13.5
PR6246/13 D1	1000	1.6	2.0	22	21.5	13.5
PR6246/13 C3	1000	1.6	2.0	22	21.5	13.5
PR6246/13 C6	1000	1.6	2.0	22	21.5	13.5
PR6246/23 D1	2000	1.6	2.0	22	21.5	13.5
PR6246/23 C3	2000	1.6	2.0	22	21.5	13.5
PR6246/23 C6	2000	1.6	2.0	22	21.5	13.5
PR6246/33 D1	3000	1.6	2.0	22	21.5	13.5
PR6246/33 C3	3000	1.6	2.0	22	21.5	13.5
PR6246/33 C6	3000	1.6	2.0	22	21.5	13.5
PR6246/12 D1E	100	0.7	1.1	22	21.5	13.5
PR6246/22 D1E	200	0.7	1.1	22	21.5	13.5
PR6246/22 C3E	200	0.7	1.1	22	21.5	13.5
PR6246/22 C6E	200	0.7	1.1	22	21.5	13.5
PR6246/32 D1E	300	0.7	1.1	22	21.5	13.5
PR6246/32 C3E	300	0.7	1.1	22	21.5	13.5
PR6246/32 C6E	300	0.7	1.1	22	21.5	13.5
PR6246/52 D1E	500	0.7	1.1	22	21.5	13.5
PR6246/52 C3E	500	0.7	1.1	22	21.5	13.5
PR6246/52 C6E	500	0.7	1.1	22	21.5	13.5
PR6246/13	1000	1.6	2.0	22	21.5	13.5

## PR6246Series

2022/09/20

Minebea Intec

D1E	1000	1.6	2.0	22	21.5	13.5
PR6246/13 C3E	1000	1.6	2.0	22	21.5	13.5
PR6246/13 C6E	1000	1.6	2.0	22	21.5	13.5
PR6246/23 D1E	2000	1.6	2.0	22	21.5	13.5
PR6246/23 C3E	2000	1.6	2.0	22	21.5	13.5
PR6246/23 C6E	2000	1.6	2.0	22	21.5	13.5
PR6246/33 D1E	3000	1.6	2.0	22	21.5	13.5
PR6246/33 C3E	3000	1.6	2.0	22	21.5	13.5
PR6246/33 C6E	3000	1.6	2.0	22	21.5	13.5

Parts No.	PDF data (outline drawing)	Specification sheet	Instruction Manual
PR6246/12 D1	<a href="#">KT54528-2.pdf</a>	<a href="#">213PR6246_REV-0.pdf</a>	<a href="#">KT60859-1.pdf</a>
PR6246/22 D1	<a href="#">KT54528-2.pdf</a>	<a href="#">213PR6246_REV-0.pdf</a>	<a href="#">KT60859-1.pdf</a>
PR6246/22 C3	<a href="#">KT54528-2.pdf</a>	<a href="#">213PR6246_REV-0.pdf</a>	<a href="#">KT60859-1.pdf</a>
PR6246/22 C6	<a href="#">KT54528-2.pdf</a>	<a href="#">213PR6246_REV-0.pdf</a>	<a href="#">KT60859-1.pdf</a>
PR6246/32 D1	<a href="#">KT54528-2.pdf</a>	<a href="#">213PR6246_REV-0.pdf</a>	<a href="#">KT60859-1.pdf</a>
PR6246/32 C3	<a href="#">KT54528-2.pdf</a>	<a href="#">213PR6246_REV-0.pdf</a>	<a href="#">KT60859-1.pdf</a>
PR6246/32 C6	<a href="#">KT54528-2.pdf</a>	<a href="#">213PR6246_REV-0.pdf</a>	<a href="#">KT60859-1.pdf</a>
PR6246/52 D1	<a href="#">KT54528-2.pdf</a>	<a href="#">213PR6246_REV-0.pdf</a>	<a href="#">KT60859-1.pdf</a>
PR6246/52 C3	<a href="#">KT54528-2.pdf</a>	<a href="#">213PR6246_REV-0.pdf</a>	<a href="#">KT60859-1.pdf</a>
PR6246/52 C6	<a href="#">KT54528-2.pdf</a>	<a href="#">213PR6246_REV-0.pdf</a>	<a href="#">KT60859-1.pdf</a>
PR6246/13 D1	<a href="#">KT54529-2.pdf</a>	<a href="#">213PR6246_REV-0.pdf</a>	<a href="#">KT60859-1.pdf</a>
PR6246/13 C3	<a href="#">KT54529-2.pdf</a>	<a href="#">213PR6246_REV-0.pdf</a>	<a href="#">KT60859-1.pdf</a>
PR6246/13 C6	<a href="#">KT54529-2.pdf</a>	<a href="#">213PR6246_REV-0.pdf</a>	<a href="#">KT60859-1.pdf</a>
PR6246/23 D1	<a href="#">KT54529-2.pdf</a>	<a href="#">213PR6246_REV-0.pdf</a>	<a href="#">KT60859-1.pdf</a>
PR6246/23 C3	<a href="#">KT54529-2.pdf</a>	<a href="#">213PR6246_REV-0.pdf</a>	<a href="#">KT60859-1.pdf</a>
PR6246/23 C6	<a href="#">KT54529-2.pdf</a>	<a href="#">213PR6246_REV-0.pdf</a>	<a href="#">KT60859-1.pdf</a>
PR6246/33 D1	<a href="#">KT54529-2.pdf</a>	<a href="#">213PR6246_REV-0.pdf</a>	<a href="#">KT60859-1.pdf</a>
PR6246/33 C3	<a href="#">KT54529-2.pdf</a>	<a href="#">213PR6246_REV-0.pdf</a>	<a href="#">KT60859-1.pdf</a>
PR6246/33 C6	<a href="#">KT54529-2.pdf</a>	<a href="#">213PR6246_REV-0.pdf</a>	<a href="#">KT60859-1.pdf</a>
PR6246/12 D1E	<a href="#">KT54528-2.pdf</a>	<a href="#">213PR6246_REV-0.pdf</a>	<a href="#">KT60859-1.pdf</a>
PR6246/22 D1E	<a href="#">KT54528-2.pdf</a>	<a href="#">213PR6246_REV-0.pdf</a>	<a href="#">KT60859-1.pdf</a>

# PR6246Series

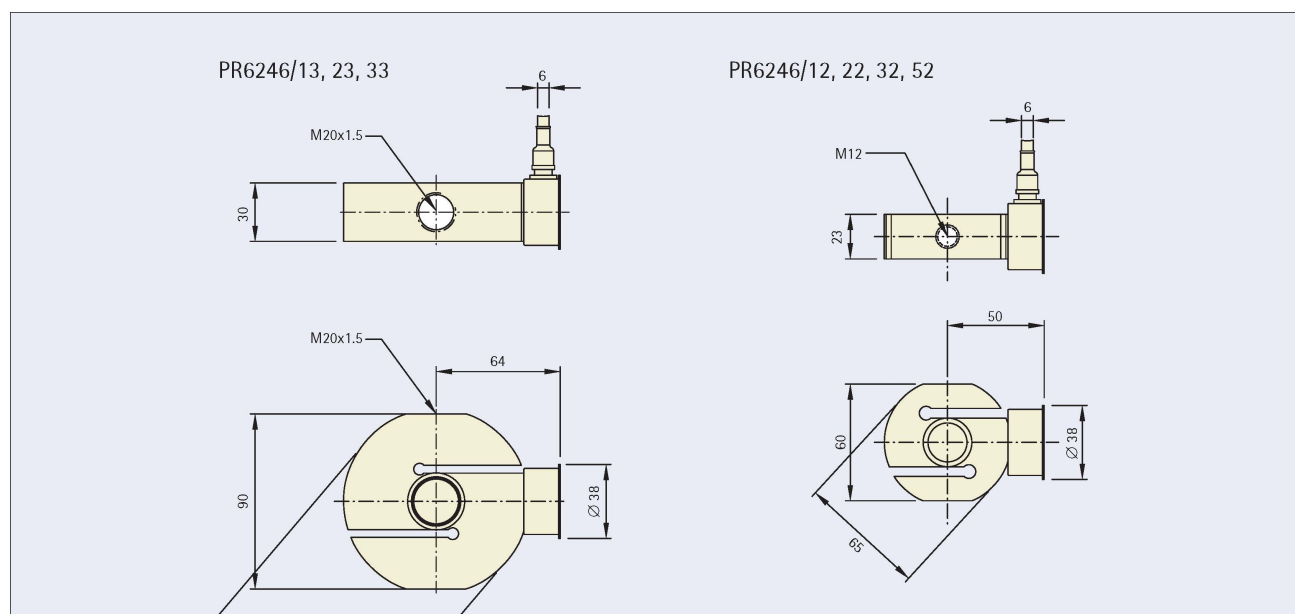
2022/09/20

Minebea Intec

PR6246/22 C3E	<a href="#">KT54528-2.pdf</a>	<a href="#">213PR6246_REV-0.pdf</a>	<a href="#">KT60859-1.pdf</a>
PR6246/22 C6E	<a href="#">KT54528-2.pdf</a>	<a href="#">213PR6246_REV-0.pdf</a>	<a href="#">KT60859-1.pdf</a>
PR6246/32 D1E	<a href="#">KT54528-2.pdf</a>	<a href="#">213PR6246_REV-0.pdf</a>	<a href="#">KT60859-1.pdf</a>
PR6246/32 C3E	<a href="#">KT54528-2.pdf</a>	<a href="#">213PR6246_REV-0.pdf</a>	<a href="#">KT60859-1.pdf</a>
PR6246/32 C6E	<a href="#">KT54528-2.pdf</a>	<a href="#">213PR6246_REV-0.pdf</a>	<a href="#">KT60859-1.pdf</a>
PR6246/52 D1E	<a href="#">KT54528-2.pdf</a>	<a href="#">213PR6246_REV-0.pdf</a>	<a href="#">KT60859-1.pdf</a>
PR6246/52 C3E	<a href="#">KT54528-2.pdf</a>	<a href="#">213PR6246_REV-0.pdf</a>	<a href="#">KT60859-1.pdf</a>
PR6246/52 C6E	<a href="#">KT54528-2.pdf</a>	<a href="#">213PR6246_REV-0.pdf</a>	<a href="#">KT60859-1.pdf</a>
PR6246/13 D1E	<a href="#">KT54529-2.pdf</a>	<a href="#">213PR6246_REV-0.pdf</a>	<a href="#">KT60859-1.pdf</a>
PR6246/13 C3E	<a href="#">KT54529-2.pdf</a>	<a href="#">213PR6246_REV-0.pdf</a>	<a href="#">KT60859-1.pdf</a>
PR6246/13 C6E	<a href="#">KT54529-2.pdf</a>	<a href="#">213PR6246_REV-0.pdf</a>	<a href="#">KT60859-1.pdf</a>
PR6246/23 D1E	<a href="#">KT54529-2.pdf</a>	<a href="#">213PR6246_REV-0.pdf</a>	<a href="#">KT60859-1.pdf</a>
PR6246/23 C3E	<a href="#">KT54529-2.pdf</a>	<a href="#">213PR6246_REV-0.pdf</a>	<a href="#">KT60859-1.pdf</a>
PR6246/23 C6E	<a href="#">KT54529-2.pdf</a>	<a href="#">213PR6246_REV-0.pdf</a>	<a href="#">KT60859-1.pdf</a>
PR6246/33 D1E	<a href="#">KT54529-2.pdf</a>	<a href="#">213PR6246_REV-0.pdf</a>	<a href="#">KT60859-1.pdf</a>
PR6246/33 C3E	<a href="#">KT54529-2.pdf</a>	<a href="#">213PR6246_REV-0.pdf</a>	<a href="#">KT60859-1.pdf</a>
PR6246/33 C6E	<a href="#">KT54529-2.pdf</a>	<a href="#">213PR6246_REV-0.pdf</a>	<a href="#">KT60859-1.pdf</a>

## External view

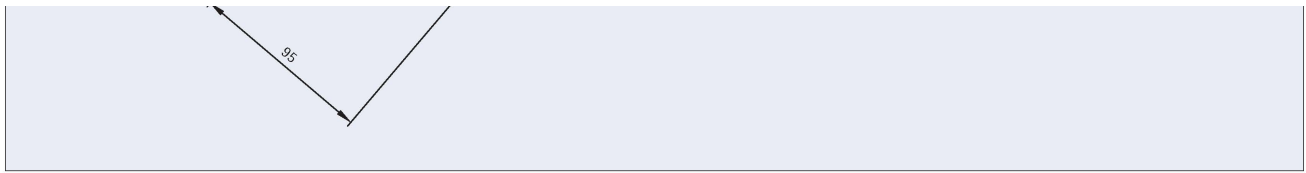
### External Dimensions



## PR6246Series

2022/09/20

Minebea Intec



Dimensions in mm

[Click here to visit the website of Intec Germany.](#)