

PR6203 Series Compression Type High Precision Standard Stainless Steel Load Cell

2022/09/20

Minebea Intec

Features



- Load cell with automatic alignment function
- Stainless steel housing:SUS304 equivalent
- Completely waterproof IP68
- Wide range of accuracy supported:D1(E)~C6(E)

Specification

Specification name	Specification contents	Specification contents2	Specification contents3
OIML Accuracy class	D1(0.5t~10t)	D1(20t~50t)	D1(60t)
Accuracy class	0.008E _{max} ~0.04E _{max}	0.008E _{max} ~0.04E _{max}	0.008E _{max} ~0.04E _{max}
Safe load limit	150%E _{max}	150%E _{max}	150%E _{max}
Destructive load	300%E _{max}	300%E _{max}	250%E _{max}
Rated output	2.0mV/V	2.0mV/V	2.0mV/V
Rated output tolerance	<0.25%C _n	<0.25%C _n	<0.25%C _n
Zero balance	<1.0%C _n	<1.0%C _n	<1.0%C _n
Reproducibility	<0.01%C _n	<0.01%C _n	<0.01%C _n
Creep	<0.03%C _n	<0.03%C _n	<0.03%C _n
Non-linearity	<0.03%C _n	<0.03%C _n	<0.03%C _n

PR6203 Series Compression Type High Precision
Standard Stainless Steel Load Cell

2022/09/20

Minebea Intec

Hysteresis	<0.04%Cn	<0.04%Cn	<0.04%Cn
Temperature effect on Zero	<0.028%Cn/10K	<0.028%Cn/10K	<0.028%Cn/10K
Temperature effect on Span	<0.03%Cn/10K	<0.03%Cn/10K	<0.03%Cn/10K
Input resistance	644Ω~656Ω	644Ω~656Ω	644Ω~656Ω
Rated output	609Ω~611Ω	609Ω~611Ω	609Ω~611Ω
Insulation resistance	>5000×10 ⁶ Ω	>5000×10 ⁶ Ω	>5000×10 ⁶ Ω
Nominal supply voltage	4~24V	4~24V	4~24V
Maximum supply voltage	32V	32V	32V
Nominal ambient temperature range	-10℃~+40℃	-10℃~+40℃	-10℃~+40℃
Usable ambient temperature range	-40℃~+95℃	-40℃~+95℃	-40℃~+95℃
Storage ambient temperature range	-40℃~+90℃	-40℃~+90℃	-40℃~+90℃
Explosion-proof certification in Japan	【JPEX】 Ex ia IIC T6 Ga(DEK20.0001/DEKRA)	【JPEX】 Ex ia IIC T6 Ga(DEK20.0001/DEKRA)	【JPEX】 Ex ia IIC T6 Ga(DEK20.0001/DEKRA)
Conforms to overseas explosion protection standards	【IECEX】 Ex ia IIC T6 Ga/ 1G Ex ia IIC T6 Ga 【ATEX】 II	【IECEX】 Ex ia IIC T6 Ga/ 1G Ex ia IIC T6 Ga 【ATEX】 II	【IECEX】 Ex ia IIC T6 Ga/ 1G Ex ia IIC T6 Ga 【ATEX】 II
Class of protection	IP68,IP69K	IP68,IP69K	IP68,IP69K
Material of element	Stainless steel SUS304{1.4301(DIN EN10088-3) 304 S11/S15(B.S.)}nitrogen gas sealed	Stainless steel SUS304{1.4301(DIN EN10088-3) 304 S11/S15(B.S.)}nitrogen gas sealed	Stainless steel SUS304{1.4301(DIN EN10088-3) 304 S11/S15(B.S.)}nitrogen gas sealed
Cable specification	Thermoplastic Elastomer (TPE),4-core shield cable Length 5m)、 Diameter 5 mm/cable 4×0.35mm	Thermoplastic Elastomer (TPE),4-core shield cable Length 12m、 Diameter 5 mm/cable 4×0.35mm	Thermoplastic Elastomer (TPE),4-core shield cable Length 12m、 Diameter 5 mm/cable 4×0.35mm
Wiring specification	Applied voltage +red/-blue Output signal +green/-ash	Applied voltage +red/-blue Output signal +green/-ash	Applied voltage +red/-blue Output signal +green/-ash
Accessories	Earth wire 1pc / 1 grease bag	Earth wire 1pc / 1 grease bag	Earth wire 1pc / 1 grease bag

Specification contents4	Specification contents5	Specification contents6	Specification contents7
D1(75t)	D1E(0.5t~10t)	D1E(20t~50t)	D1E(60t)
0.008E _{max} ~0.04E _{max}	0.008E _{max} ~0.04E _{max}	0.008E _{max} ~0.04E _{max}	0.008E _{max} ~0.04E _{max}
150%E _{max}	150%E _{max}	150%E _{max}	150%E _{max}
200%E _{max}	300%E _{max}	300%E _{max}	250%E _{max}
2.0mV/V	2.0mV/V	2.0mV/V	2.0mV/V
<0.25%Cn	<0.25%Cn	<0.25%Cn	<0.25%Cn

PR6203 Series Compression Type High Precision
Standard Stainless Steel Load Cell

2022/09/20

Minebea Intec

<1.0%Cn	<1.0%Cn	<1.0%Cn	<1.0%Cn
<0.01%Cn	<0.01%Cn	<0.01%Cn	<0.01%Cn
<0.03%Cn	<0.03%Cn	<0.03%Cn	<0.03%Cn
<0.03%Cn	<0.03%Cn	<0.03%Cn	<0.03%Cn
<0.04%Cn	<0.04%Cn	<0.04%Cn	<0.04%Cn
<0.028%Cn/10K	<0.028%Cn/10K	<0.028%Cn/10K	<0.028%Cn/10K
<0.03%Cn/10K	<0.03%Cn/10K	<0.03%Cn/10K	<0.03%Cn/10K
644Ω~656Ω	644Ω~656Ω	644Ω~656Ω	644Ω~656Ω
609Ω~611Ω	609Ω~611Ω	609Ω~611Ω	609Ω~611Ω
>5000×10 ⁶ Ω	>5000×10 ⁶ Ω	>5000×10 ⁶ Ω	>5000×10 ⁶ Ω
4~24V	4~24V	4~24V	4~24V
32V	32V	32V	32V
-10℃~+40℃	-10℃~+40℃	-10℃~+40℃	-10℃~+40℃
-40℃~+95℃	-40℃~+95℃	-40℃~+95℃	-40℃~+95℃
-40℃~+90℃	-40℃~+90℃	-40℃~+90℃	-40℃~+90℃
【JPEX】 Ex ia IIC T6 Ga(DEK20.0001/DEKRA)	【JPEX】 Ex ia IIC T6 Ga(DEK20.0001/DEKRA)	【JPEX】 Ex ia IIC T6 Ga(DEK20.0001/DEKRA)	【JPEX】 Ex ia IIC T6 Ga(DEK20.0001/DEKRA)
【IECEX】 Ex ia IIC T6 Ga/ 【ATEX】 II 1G Ex ia IIC T6 Ga	【IECEX】 Ex ia IIC T6 Ga/ 【ATEX】 II 1G Ex ia IIC T6 Ga	【IECEX】 Ex ia IIC T6 Ga/ 【ATEX】 II 1G Ex ia IIC T6 Ga	【IECEX】 Ex ia IIC T6 Ga/ 【ATEX】 II 1G Ex ia IIC T6 Ga
IP68,IP69K	IP68,IP69K	IP68,IP69K	IP68,IP69K
Stainless steel SUS304{1.4301(DIN EN10088-3) 304 S11/S15(B.S.)}nitrogen gas sealed	Stainless steel SUS304{1.4301(DIN EN10088-3) 304 S11/S15(B.S.)}nitrogen gas sealed	Stainless steel SUS304{1.4301(DIN EN10088-3) 304 S11/S15(B.S.)}nitrogen gas sealed	Stainless steel SUS304{1.4301(DIN EN10088-3) 304 S11/S15(B.S.)}nitrogen gas sealed
Thermoplastic Elastomer (TPE),4- core shield cable Length 12m、 Diameter 5mm/cable 4×0.35mm	Thermoplastic Elastomer (TPE),4- core shield cable Length 5m、 Diameter 5mm/cable 4×0.35mm	Thermoplastic Elastomer (TPE),4- core shield cable Length 12m、 Diameter 5mm/cable 4×0.35mm	Thermoplastic Elastomer (TPE),4- core shield cable Length 12m、 Diameter 5mm/cable 4×0.35mm
Applied voltage +red/-blue Output signal +green/-ash	Applied voltage +red/-blue Output signal +green/-ash	Applied voltage +red/-blue Output signal +green/-ash	Applied voltage +red/-blue Output signal +green/-ash
Earth wire 1pc / 1 grease bag	Earth wire 1pc / 1 grease bag	Earth wire 1pc / 1 grease bag	Earth wire 1pc / 1 grease bag

Specification contents8	Specification contents9	Specification contents10	Specification contents11
D1E(75t)	C3(0.5t~10t)	C3(20t~50t)	C3(60t)
0.008E _{max} ~0.04E _{max}	0.008E _{max} ~0.04E _{max}	0.008E _{max} ~0.04E _{max}	0.008E _{max} ~0.04E _{max}
150%E _{max}	150%E _{max}	150%E _{max}	150%E _{max}
200%E _{max}	300%E _{max}	300%E _{max}	250%E _{max}
2.0mV/V	2.0mV/V	2.0mV/V	2.0mV/V
<0.25%Cn	<0.25%Cn	<0.25%Cn	<0.25%Cn
<1.0%Cn	<1.0%Cn	<1.0%Cn	<1.0%Cn
<0.01%Cn	<0.01%Cn	<0.01%Cn	<0.01%Cn

PR6203 Series Compression Type High Precision
Standard Stainless Steel Load Cell

2022/09/20

Minebea Intec

<0.03%Cn	<0.03%Cn	<0.03%Cn	<0.03%Cn
<0.03%Cn	<0.03%Cn	<0.03%Cn	<0.03%Cn
<0.04%Cn	<0.04%Cn	<0.04%Cn	<0.04%Cn
<0.028%Cn/10K	<0.028%Cn/10K	<0.028%Cn/10K	<0.028%Cn/10K
<0.03%Cn/10K	<0.03%Cn/10K	<0.03%Cn/10K	<0.03%Cn/10K
644Ω~656Ω	644Ω~656Ω	644Ω~656Ω	644Ω~656Ω
609Ω~611Ω	609Ω~611Ω	609Ω~611Ω	609Ω~611Ω
>5000×10 ⁶ Ω	>5000×10 ⁶ Ω	>5000×10 ⁶ Ω	>5000×10 ⁶ Ω
4~24V	4~24V	4~24V	4~24V
32V	32V	32V	32V
-10℃~+40℃	-10℃~+40℃	-10℃~+40℃	-10℃~+40℃
-40℃~+95℃	-40℃~+95℃	-40℃~+95℃	-40℃~+95℃
-40℃~+90℃	-40℃~+90℃	-40℃~+90℃	-40℃~+90℃
【JPEX】 Ex ia IIC T6 Ga(DEK20.0001/DEKRA)	【JPEX】 Ex ia IIC T6 Ga(DEK20.0001/DEKRA)	【JPEX】 Ex ia IIC T6 Ga(DEK20.0001/DEKRA)	【JPEX】 Ex ia IIC T6 Ga(DEK20.0001/DEKRA)
【IECEX】 Ex ia IIC T6 Ga/ 【ATEX】 II 1G Ex ia IIC T6 Ga	【IECEX】 Ex ia IIC T6 Ga/ 【ATEX】 II 1G Ex ia IIC T6 Ga	【IECEX】 Ex ia IIC T6 Ga/ 【ATEX】 II 1G Ex ia IIC T6 Ga	【IECEX】 Ex ia IIC T6 Ga/ 【ATEX】 II 1G Ex ia IIC T6 Ga
IP68,IP69K	IP68,IP69K	IP68,IP69K	IP68,IP69K
Stainless steel SUS304{1.4301(DIN EN10088-3) 304 S11/S15(B.S.)}nitrogen gas sealed	Stainless steel SUS304{1.4301(DIN EN10088-3) 304 S11/S15(B.S.)}nitrogen gas sealed	Stainless steel SUS304{1.4301(DIN EN10088-3) 304 S11/S15(B.S.)}nitrogen gas sealed	Stainless steel SUS304{1.4301(DIN EN10088-3) 304 S11/S15(B.S.)}nitrogen gas sealed
Thermoplastic Elastomer (TPE),4- core shield cable Length 12m、 Diameter 5mm/cable 4×0.35mm ²	Thermoplastic Elastomer (TPE),4- core shield cable Length 5m)、 Diameter 5mm/cable 4×0.35mm ²	Thermoplastic Elastomer (TPE),4- core shield cable Length 12m、 Diameter 5mm/cable 4×0.35mm ²	Thermoplastic Elastomer (TPE),4- core shield cable Length 12m、 Diameter 5mm/cable 4×0.35mm ²
Applied voltage +red/-blue Output signal +green/-ash	Applied voltage +red/-blue Output signal +green/-ash	Applied voltage +red/-blue Output signal +green/-ash	Applied voltage +red/-blue Output signal +green/-ash
Earth wire 1pc / 1 grease bag	Earth wire 1pc / 1 grease bag	Earth wire 1pc / 1 grease bag	Earth wire 1pc / 1 grease bag

Specification contents12	Specification contents13	Specification contents14	Specification contents15
C3(75t)	C3E(0.5t~10t)	C3E(20t~50t)	C3E(60t)
0.008E _{max} ~0.04E _{max}	0.008E _{max} ~0.04E _{max}	0.008E _{max} ~0.04E _{max}	0.008E _{max} ~0.04E _{max}
150%E _{max}	150%E _{max}	150%E _{max}	150%E _{max}
200%E _{max}	300%E _{max}	300%E _{max}	250%E _{max}
2.0mV/V	2.0mV/V	2.0mV/V	2.0mV/V
<0.25%Cn	<0.25%Cn	<0.25%Cn	<0.25%Cn
<1.0%Cn	<1.0%Cn	<1.0%Cn	<1.0%Cn
<0.01%Cn	<0.01%Cn	<0.01%Cn	<0.01%Cn
<0.03%Cn	<0.03%Cn	<0.03%Cn	<0.03%Cn

PR6203 Series Compression Type High Precision
Standard Stainless Steel Load Cell

2022/09/20

Minebea Intec

<0.03%Cn	<0.03%Cn	<0.03%Cn	<0.03%Cn
<0.04%Cn	<0.04%Cn	<0.04%Cn	<0.04%Cn
<0.028%Cn/10K	<0.028%Cn/10K	<0.028%Cn/10K	<0.028%Cn/10K
<0.03%Cn/10K	<0.03%Cn/10K	<0.03%Cn/10K	<0.03%Cn/10K
644Ω~656Ω	644Ω~656Ω	644Ω~656Ω	644Ω~656Ω
609Ω~611Ω	609Ω~611Ω	609Ω~611Ω	609Ω~611Ω
>5000×10 ⁶ Ω	>5000×10 ⁶ Ω	>5000×10 ⁶ Ω	>5000×10 ⁶ Ω
4~24V	4~24V	4~24V	4~24V
32V	32V	32V	32V
-10℃~+40℃	-10℃~+40℃	-10℃~+40℃	-10℃~+40℃
-40℃~+95℃	-40℃~+95℃	-40℃~+95℃	-40℃~+95℃
-40℃~+90℃	-40℃~+90℃	-40℃~+90℃	-40℃~+90℃
【JPEX】 Ex ia IIC T6 Ga(DEK20.0001/DEKRA)	【JPEX】 Ex ia IIC T6 Ga(DEK20.0001/DEKRA)	【JPEX】 Ex ia IIC T6 Ga(DEK20.0001/DEKRA)	【JPEX】 Ex ia IIC T6 Ga(DEK20.0001/DEKRA)
【IECEX】 Ex ia IIC T6 Ga/ 【ATEX】 II 1G Ex ia IIC T6 Ga	【IECEX】 Ex ia IIC T6 Ga/ 【ATEX】 II 1G Ex ia IIC T6 Ga	【IECEX】 Ex ia IIC T6 Ga/ 【ATEX】 II 1G Ex ia IIC T6 Ga	【IECEX】 Ex ia IIC T6 Ga/ 【ATEX】 II 1G Ex ia IIC T6 Ga
IP68,IP69K	IP68,IP69K	IP68,IP69K	IP68,IP69K
Stainless steel SUS304{1.4301(DIN EN10088-3) 304 S11/S15(B.S.)}nitrogen gas sealed	Stainless steel SUS304{1.4301(DIN EN10088-3) 304 S11/S15(B.S.)}nitrogen gas sealed	Stainless steel SUS304{1.4301(DIN EN10088-3) 304 S11/S15(B.S.)}nitrogen gas sealed	Stainless steel SUS304{1.4301(DIN EN10088-3) 304 S11/S15(B.S.)}nitrogen gas sealed
Thermoplastic Elastomer (TPE),4- core shield cable Length 12m、 Diameter 5mm/cable 4×0.35mm	Thermoplastic Elastomer (TPE),4- core shield cable Length 5m)、 Diameter 5mm/cable 4×0.35mm	Thermoplastic Elastomer (TPE),4- core shield cable Length 12m、 Diameter 5mm/cable 4×0.35mm	Thermoplastic Elastomer (TPE),4- core shield cable Length 12m、 Diameter 5mm/cable 4×0.35mm
Applied voltage +red/-blue Output signal +green/-ash	Applied voltage +red/-blue Output signal +green/-ash	Applied voltage +red/-blue Output signal +green/-ash	Applied voltage +red/-blue Output signal +green/-ash
Earth wire 1pc / 1 grease bag	Earth wire 1pc / 1 grease bag	Earth wire 1pc / 1 grease bag	Earth wire 1pc / 1 grease bag

Specification contents16	Specification contents17	Specification contents18	Specification contents19
C3E(75t)	C6(0.5t~10t)	C6(20t~50t)	C6(60t)
0.008Emax~0.04Emax	0.008Emax~0.04Emax	0.008Emax~0.04Emax	0.008Emax~0.04Emax
150%Emax	150%Emax	150%Emax	150%Emax
200%Emax	300%Emax	300%Emax	250%Emax
2.0mV/V	2.0mV/V	2.0mV/V	2.0mV/V
<0.25%Cn	<0.25%Cn	<0.25%Cn	<0.25%Cn
<1.0%Cn	<1.0%Cn	<1.0%Cn	<1.0%Cn
<0.01%Cn	<0.01%Cn	<0.01%Cn	<0.01%Cn
<0.03%Cn	<0.03%Cn	<0.03%Cn	<0.03%Cn
<0.03%Cn	<0.03%Cn	<0.03%Cn	<0.03%Cn
<0.04%Cn	<0.04%Cn	<0.04%Cn	<0.04%Cn

PR6203 Series Compression Type High Precision
Standard Stainless Steel Load Cell

2022/09/20

Minebea Intec

<0.028%Cn/10K	<0.028%Cn/10K	<0.028%Cn/10K	<0.028%Cn/10K
<0.03%Cn/10K	<0.03%Cn/10K	<0.03%Cn/10K	<0.03%Cn/10K
644Ω~656Ω	644Ω~656Ω	644Ω~656Ω	644Ω~656Ω
609Ω~611Ω	609Ω~611Ω	609Ω~611Ω	609Ω~611Ω
>5000×10 ⁶ Ω	>5000×10 ⁶ Ω	>5000×10 ⁶ Ω	>5000×10 ⁶ Ω
4~24V	4~24V	4~24V	4~24V
32V	32V	32V	32V
-10℃~+40℃	-10℃~+40℃	-10℃~+40℃	-10℃~+40℃
-40℃~+95℃	-40℃~+95℃	-40℃~+95℃	-40℃~+95℃
-40℃~+90℃	-40℃~+90℃	-40℃~+90℃	-40℃~+90℃
【JPEX】 Ex ia IIC T6 Ga(DEK20.0001/DEKRA)	【JPEX】 Ex ia IIC T6 Ga(DEK20.0001/DEKRA)	【JPEX】 Ex ia IIC T6 Ga(DEK20.0001/DEKRA)	【JPEX】 Ex ia IIC T6 Ga(DEK20.0001/DEKRA)
【IECEX】 Ex ia IIC T6 Ga/ 【ATEX】 II 1G Ex ia IIC T6 Ga	【IECEX】 Ex ia IIC T6 Ga/ 【ATEX】 II 1G Ex ia IIC T6 Ga	【IECEX】 Ex ia IIC T6 Ga/ 【ATEX】 II 1G Ex ia IIC T6 Ga	【IECEX】 Ex ia IIC T6 Ga/ 【ATEX】 II 1G Ex ia IIC T6 Ga
IP68,IP69K	IP68,IP69K	IP68,IP69K	IP68,IP69K
Stainless steel SUS304{1.4301(DIN EN10088-3) 304 S11/S15(B.S.)}nitrogen gas sealed	Stainless steel SUS304{1.4301(DIN EN10088-3) 304 S11/S15(B.S.)}nitrogen gas sealed	Stainless steel SUS304{1.4301(DIN EN10088-3) 304 S11/S15(B.S.)}nitrogen gas sealed	Stainless steel SUS304{1.4301(DIN EN10088-3) 304 S11/S15(B.S.)}nitrogen gas sealed
Thermoplastic Elastomer (TPE),4- core shield cable Length 12m、 Diameter 5mm/cable 4×0.35mm	Thermoplastic Elastomer (TPE),4- core shield cable Length 5m、 Diameter 5mm/cable 4×0.35mm	Thermoplastic Elastomer (TPE),4- core shield cable Length 12m、 Diameter 5mm/cable 4×0.35mm	Thermoplastic Elastomer (TPE),4- core shield cable Length 12m、 Diameter 5mm/cable 4×0.35mm
Applied voltage +red/-blue Output signal +green/-ash	Applied voltage +red/-blue Output signal +green/-ash	Applied voltage +red/-blue Output signal +green/-ash	Applied voltage +red/-blue Output signal +green/-ash
Earth wire 1pc / 1 grease bag	Earth wire 1pc / 1 grease bag	Earth wire 1pc / 1 grease bag	Earth wire 1pc / 1 grease bag

Specification contents20	Specification contents21	Specification contents22	Specification contents23
C6(75t)	C6E(0.5t~10t)	C6E(20t~50t)	C6E(60t)
0.008E _{max} ~0.04E _{max}	0.008E _{max} ~0.04E _{max}	0.008E _{max} ~0.04E _{max}	0.008E _{max} ~0.04E _{max}
150%E _{max}	150%E _{max}	150%E _{max}	150%E _{max}
200%E _{max}	300%E _{max}	300%E _{max}	250%E _{max}
2.0mV/V	2.0mV/V	2.0mV/V	2.0mV/V
<0.25%Cn	<0.25%Cn	<0.25%Cn	<0.25%Cn
<1.0%Cn	<1.0%Cn	<1.0%Cn	<1.0%Cn
<0.01%Cn	<0.01%Cn	<0.01%Cn	<0.01%Cn
<0.03%Cn	<0.03%Cn	<0.03%Cn	<0.03%Cn
<0.03%Cn	<0.03%Cn	<0.03%Cn	<0.03%Cn
<0.04%Cn	<0.04%Cn	<0.04%Cn	<0.04%Cn
<0.028%Cn/10K	<0.028%Cn/10K	<0.028%Cn/10K	<0.028%Cn/10K
<0.03%Cn/10K	<0.03%Cn/10K	<0.03%Cn/10K	<0.03%Cn/10K

PR6203 Series Compression Type High Precision
Standard Stainless Steel Load Cell

2022/09/20

Minebea Intec

644Ω~656Ω	644Ω~656Ω	644Ω~656Ω	644Ω~656Ω
609Ω~611Ω	609Ω~611Ω	609Ω~611Ω	609Ω~611Ω
>5000×10 ⁶ Ω	>5000×10 ⁶ Ω	>5000×10 ⁶ Ω	>5000×10 ⁶ Ω
4~24V	4~24V	4~24V	4~24V
32V	32V	32V	32V
-10℃~+40℃	-10℃~+40℃	-10℃~+40℃	-10℃~+40℃
-40℃~+95℃	-40℃~+95℃	-40℃~+95℃	-40℃~+95℃
-40℃~+90℃	-40℃~+90℃	-40℃~+90℃	-40℃~+90℃
【JPEX】 Ex ia IIC T6 Ga(DEK20.0001/DEKRA)	【JPEX】 Ex ia IIC T6 Ga(DEK20.0001/DEKRA)	【JPEX】 Ex ia IIC T6 Ga(DEK20.0001/DEKRA)	【JPEX】 Ex ia IIC T6 Ga(DEK20.0001/DEKRA)
【IECEX】 Ex ia IIC T6 Ga/ 【ATEX】 II 1G Ex ia IIC T6 Ga	【IECEX】 Ex ia IIC T6 Ga/ 【ATEX】 II 1G Ex ia IIC T6 Ga	【IECEX】 Ex ia IIC T6 Ga/ 【ATEX】 II 1G Ex ia IIC T6 Ga	【IECEX】 Ex ia IIC T6 Ga/ 【ATEX】 II 1G Ex ia IIC T6 Ga
IP68,IP69K	IP68,IP69K	IP68,IP69K	IP68,IP69K
Stainless steel SUS304{1.4301(DIN EN10088-3) 304 S11/S15(B.S.)}nitrogen gas sealed	Stainless steel SUS304{1.4301(DIN EN10088-3) 304 S11/S15(B.S.)}nitrogen gas sealed	Stainless steel SUS304{1.4301(DIN EN10088-3) 304 S11/S15(B.S.)}nitrogen gas sealed	Stainless steel SUS304{1.4301(DIN EN10088-3) 304 S11/S15(B.S.)}nitrogen gas sealed
Thermoplastic Elastomer (TPE),4- core shield cable Length 12m、 Diameter 5mm/cable 4×0.35mm	Thermoplastic Elastomer (TPE),4- core shield cable Length 5m、 Diameter 5mm/cable 4×0.35mm	Thermoplastic Elastomer (TPE),4- core shield cable Length 12m、 Diameter 5mm/cable 4×0.35mm	Thermoplastic Elastomer (TPE),4- core shield cable Length 12m、 Diameter 5mm/cable 4×0.35mm
Applied voltage +red/-blue Output signal +green/-ash	Applied voltage +red/-blue Output signal +green/-ash	Applied voltage +red/-blue Output signal +green/-ash	Applied voltage +red/-blue Output signal +green/-ash
Earth wire 1pc / 1 grease bag	Earth wire 1pc / 1 grease bag	Earth wire 1pc / 1 grease bag	Earth wire 1pc / 1 grease bag

Specification contents24

C6E(75t)

0.008E_{max}~0.04E_{max}150%E_{max}200%E_{max}

2.0mV/V

<0.25%C_n<1.0%C_n<0.01%C_n<0.03%C_n<0.03%C_n<0.04%C_n<0.028%C_n/10K<0.03%C_n/10K

644Ω~656Ω

ミネベアミツミ株式会社

Copyright©MinebeaMitsumi Inc. All right reserved.

PR6203 Series Compression Type High Precision
Standard Stainless Steel Load Cell

2022/09/20

Minebea Intec

609Ω~611Ω
>5000×10 ⁶ Ω
4~24V
32V
-10℃~+40℃
-40℃~+95℃
-40℃~+90℃
【JPEX】 Ex ia IIC T6 Ga(DEK20.0001/DEKRA)
【IECEX】 Ex ia IIC T6 Ga/ 【ATEX】 II 1G Ex ia IIC T6 Ga
IP68,IP69K
Stainless steel SUS304{1.4301(DIN EN10088-3) 304 S11/S15(B.S.)}nitrogen gas sealed
Thermoplastic Elastomer (TPE),4-core shield cable Length 12m、 Diameter 5mm/cable 4×0.35mm
Applied voltage +red/-blue Output signal +green/-ash
Earth wire 1pc / 1 grease bag

Table of P/N

Parts No.	Rated Capacity [tf]	Weight [kg]	Gross Weight [kg]	Packaged Size(W) [cm]	Packaged Size(L) [cm]	Packaged Size(H) [cm]
PR6203/500kg/D1	0.5	1	2.0	24	24	155
PR6203/500kg/D1 (E)	0.5	1	2.0	24	24	155
PR6203/1t/D1	1.0	1.2	2.0	24	24	155
PR6203/1t/D1 (E)	1.0	1.2	2.0	24	24	155
PR6203/2t/D1	2.0	1.2	2.0	24	24	155
PR6203/2t/D1 (E)	2.0	1.2	2.0	24	24	155
PR6203/2t/C3	2.0	1.2	2.0	24	24	155
PR6203/2t/C3 (E)	2.0	1.2	2.0	24	24	155
PR6203/3t/D1	3.0	1.2	2.0	24	24	155
PR6203/3t/D1 (E)	3.0	1.2	2.0	24	24	155
PR6203/3t/C3	3.0	1.2	2.0	24	24	155
PR6203/3t/C3 (E)	3.0	1.2	2.0	24	24	155
PR6203/3t/C6	3.0	1.2	2.0	24	24	155
PR6203/3t/C6 (E)	3.0	1.2	2.0	24	24	155
PR6203/5t/D1	5.0	1.2	2.0	24	24	155

PR6203 Series Compression Type High Precision Standard Stainless Steel Load Cell

2022/09/20

Minebea Intec

PR6203/5t/D1 (E)	5.0	1.2	2.0	24	24	155
PR6203/5t/C3	5.0	1.2	2.0	24	24	155
PR6203/5t/C3 (E)	5.0	1.2	2.0	24	24	155
PR6203/5t/C6	5.0	1.2	2.0	24	24	155
PR6203/5t/C6 (E)	5.0	1.2	2.0	24	24	155
PR6203/10t/D1	10.0	1.5	2.5	24	24	155
PR6203/10t/D1 (E)	10.0	1.5	2.5	24	24	155
PR6203/10t/C3	10.0	1.5	2.5	24	24	155
PR6203/10t/C3 (E)	10.0	1.5	2.5	24	24	155
PR6203/10t/C6	10.0	1.5	2.5	24	24	155
PR6203/10t/C6 (E)	10.0	1.5	2.5	24	24	155
PR6203/20t/D1	20.0	2.5	3.5	24	24	155
PR6203/20t/D1 (E)	20.0	2.5	3.5	24	24	155
PR6203/20t/C3	20.0	2.5	3.5	24	24	155
PR6203/20t/C3 (E)	20.0	2.5	3.5	24	24	155
PR6203/20t/C6	20.0	2.5	3.5	24	24	155
PR6203/20t/C6 (E)	20.0	2.5	3.5	24	24	155
PR6203/30t/D1	30.0	3.0	4.0	24	24	155
PR6203/30t/D1 (E)	30.0	3.0	4.0	24	24	155
PR6203/30t/C3	30.0	3.0	4.0	24	24	155
PR6203/30t/C3 (E)	30.0	3.0	4.0	24	24	155
PR6203/30t/C6	30.0	3.0	4.0	24	24	155
PR6203/30t/C6 (E)	30.0	3.0	4.0	24	24	155
PR6203/50t/D1	50.0	3.0	4.0	24	24	155
PR6203/50t/D1 (E)	50.0	3.0	4.0	24	24	155
PR6203/50t/C3	50.0	3.0	4.0	24	24	155
PR6203/50t/C3 (E)	50.0	3.0	4.0	24	24	155
PR6203/50t/C6	50.0	3.0	4.0	24	24	155
PR6203/50t/C6 (E)	50.0	3.0	4.0	24	24	155
PR6203/60t/D1	60.0	3.0	4.0	24	24	155
PR6203/60t/D1 (E)	60.0	3.0	4.0	24	24	155
PR6203/60t/C3	60.0	3.0	4.0	24	24	155
PR6203/60t/C3 (E)	60.0	3.0	4.0	24	24	155
PR6203/60t/C6	60.0	3.0	4.0	24	24	155
PR6203/60t/C6 (E)	60.0	3.0	4.0	24	24	155
PR6203/75t/D1	75.0	3.0	4.0	24	24	155
PR6203/75t/D1 (E)	75.0	3.0	4.0	24	24	155
PR6203/75t/C3	75.0	3.0	4.0	24	24	155

PR6203 Series Compression Type High Precision Standard Stainless Steel Load Cell

2022/09/20

Minebea Intec

PR6203/75t/C3 (E)	75.0	3.0	4.0	24	24	155
PR6203/75t/C6	75.0	3.0	4.0	24	24	155
PR6203/75t/C6 (E)	75.0	3.0	4.0	24	24	155

Parts No.	PDF data (outline drawing)	Specification sheet	Instruction Manual	Movie
PR6203/500kg/D1	KT55098-1 PR6230 500kg~3t 外形寸法図.pdf	211PR6203-A.pdf	取説PR6203.pdf	Product introduction
PR6203/500kg/D1 (E)	KT55098-1 PR6230 500kg~3t 外形寸法図.pdf	211PR6203-A.pdf	取説PR6203.pdf	Product introduction
PR6203/1t/D1	KT55098-1 PR6230 500kg~3t 外形寸法図.pdf	211PR6203-A.pdf	取説PR6203.pdf	Product introduction
PR6203/1t/D1 (E)	KT55098-1 PR6230 500kg~3t 外形寸法図.pdf	211PR6203-A.pdf	取説PR6203.pdf	Product introduction
PR6203/2t/D1	KT55098-1 PR6230 500kg~3t 外形寸法図.pdf	211PR6203-A.pdf	取説PR6203.pdf	Product introduction
PR6203/2t/D1 (E)	KT55098-1 PR6230 500kg~3t 外形寸法図.pdf	211PR6203-A.pdf	取説PR6203.pdf	Product introduction
PR6203/2t/C3	KT55098-1 PR6230 500kg~3t 外形寸法図.pdf	211PR6203-A.pdf	取説PR6203.pdf	Product introduction
PR6203/2t/C3 (E)	KT55098-1 PR6230 500kg~3t 外形寸法図.pdf	211PR6203-A.pdf	取説PR6203.pdf	Product introduction
PR6203/3t/D1	KT55098-1 PR6230 500kg~3t 外形寸法図.pdf	211PR6203-A.pdf	取説PR6203.pdf	Product introduction
PR6203/3t/D1 (E)	KT55098-1 PR6230 500kg~3t 外形寸法図.pdf	211PR6203-A.pdf	取説PR6203.pdf	Product introduction
PR6203/3t/C3	KT55098-1 PR6230 500kg~3t 外形寸法図.pdf	211PR6203-A.pdf	取説PR6203.pdf	Product introduction
PR6203/3t/C3 (E)	KT55098-1 PR6230 500kg~3t 外形寸法図.pdf	211PR6203-A.pdf	取説PR6203.pdf	Product introduction
PR6203/3t/C6	KT55098-1 PR6230 500kg~3t 外形寸法図.pdf	211PR6203-A.pdf	取説PR6203.pdf	Product introduction
PR6203/3t/C6 (E)	KT55098-1 PR6230 500kg~3t 外形寸法図.pdf	211PR6203-A.pdf	取説PR6203.pdf	Product introduction
PR6203/5t/D1	KT55099-1 PR6203 5t~10t 外形寸法図.pdf	211PR6203-A.pdf	取説PR6203.pdf	Product introduction
PR6203/5t/D1 (E)	KT55099-1 PR6203 5t~10t 外形寸法図.pdf	211PR6203-A.pdf	取説PR6203.pdf	Product introduction
PR6203/5t/C3	KT55099-1 PR6203 5t~10t 外形寸法図.pdf	211PR6203-A.pdf	取説PR6203.pdf	Product introduction
PR6203/5t/C3 (E)	KT55099-1 PR6203 5t~10t 外形寸法図.pdf	211PR6203-A.pdf	取説PR6203.pdf	Product introduction

PR6203 Series Compression Type High Precision Standard Stainless Steel Load Cell

2022/09/20

Minebea Intec

PR6203/5t/C6	KT55099-1 PR6203 5t~10t 外形寸法図.pdf	211PR6203-A.pdf	取説PR6203.pdf	Product introduction
PR6203/5t/C6 (E)	KT55099-1 PR6203 5t~10t 外形寸法図.pdf	211PR6203-A.pdf	取説PR6203.pdf	Product introduction
PR6203/10t/D1	KT55099-1 PR6203 5t~10t 外形寸法図.pdf	211PR6203-A.pdf	取説PR6203.pdf	Product introduction
PR6203/10t/D1 (E)	KT55099-1 PR6203 5t~10t 外形寸法図.pdf	211PR6203-A.pdf	取説PR6203.pdf	Product introduction
PR6203/10t/C3	KT55099-1 PR6203 5t~10t 外形寸法図.pdf	211PR6203-A.pdf	取説PR6203.pdf	Product introduction
PR6203/10t/C3 (E)	KT55099-1 PR6203 5t~10t 外形寸法図.pdf	211PR6203-A.pdf	取説PR6203.pdf	Product introduction
PR6203/10t/C6	KT55099-1 PR6203 5t~10t 外形寸法図.pdf	211PR6203-A.pdf	取説PR6203.pdf	Product introduction
PR6203/10t/C6 (E)	KT55099-1 PR6203 5t~10t 外形寸法図.pdf	211PR6203-A.pdf	取説PR6203.pdf	Product introduction
PR6203/20t/D1	KT55100-1 PR6230 20t~75t 外形寸法図.pdf	211PR6203-A.pdf	取説PR6203.pdf	Product introduction
PR6203/20t/D1 (E)	KT55100-1 PR6230 20t~75t 外形寸法図.pdf	211PR6203-A.pdf	取説PR6203.pdf	Product introduction
PR6203/20t/C3	KT55100-1 PR6230 20t~75t 外形寸法図.pdf	211PR6203-A.pdf	取説PR6203.pdf	Product introduction
PR6203/20t/C3 (E)	KT55100-1 PR6230 20t~75t 外形寸法図.pdf	211PR6203-A.pdf	取説PR6203.pdf	Product introduction
PR6203/20t/C6	KT55100-1 PR6230 20t~75t 外形寸法図.pdf	211PR6203-A.pdf	取説PR6203.pdf	Product introduction
PR6203/20t/C6 (E)	KT55100-1 PR6230 20t~75t 外形寸法図.pdf	211PR6203-A.pdf	取説PR6203.pdf	Product introduction
PR6203/30t/D1	KT55100-1 PR6230 20t~75t 外形寸法図.pdf	211PR6203-A.pdf	取説PR6203.pdf	Product introduction
PR6203/30t/D1 (E)	KT55100-1 PR6230 20t~75t 外形寸法図.pdf	211PR6203-A.pdf	取説PR6203.pdf	Product introduction
PR6203/30t/C3	KT55100-1 PR6230 20t~75t 外形寸法図.pdf	211PR6203-A.pdf	取説PR6203.pdf	Product introduction
PR6203/30t/C3 (E)	KT55100-1 PR6230 20t~75t 外形寸法図.pdf	211PR6203-A.pdf	取説PR6203.pdf	Product introduction
PR6203/30t/C6	KT55100-1 PR6230 20t~75t 外形寸法図.pdf	211PR6203-A.pdf	取説PR6203.pdf	Product introduction
PR6203/30t/C6 (E)	KT55100-1 PR6230 20t~75t 外形寸法図.pdf	211PR6203-A.pdf	取説PR6203.pdf	Product introduction
PR6203/50t/D1	KT55100-1 PR6230 20t~75t 外形寸法図.pdf	211PR6203-A.pdf	取説PR6203.pdf	Product introduction
PR6203/50t/D1 (E)	KT55100-1 PR6230 20t~75t 外形寸法図.pdf	211PR6203-A.pdf	取説PR6203.pdf	Product introduction

PR6203 Series Compression Type High Precision Standard Stainless Steel Load Cell

2022/09/20

Minebea Intec

	図.pdf	A.pdf		introduction
PR6203/50t/C3	KT55100-1 PR6230 20t~75t 外形寸法 図.pdf	211PR6203-A.pdf	取説PR6203.pdf	Product introduction
PR6203/50t/C3 (E)	KT55100-1 PR6230 20t~75t 外形寸法 図.pdf	211PR6203-A.pdf	取説PR6203.pdf	Product introduction
PR6203/50t/C6	KT55100-1 PR6230 20t~75t 外形寸法 図.pdf	211PR6203-A.pdf	取説PR6203.pdf	Product introduction
PR6203/50t/C6 (E)	KT55100-1 PR6230 20t~75t 外形寸法 図.pdf	211PR6203-A.pdf	取説PR6203.pdf	Product introduction
PR6203/60t/D1	KT55100-1 PR6230 20t~75t 外形寸法 図.pdf	211PR6203-A.pdf	取説PR6203.pdf	Product introduction
PR6203/60t/D1 (E)	KT55100-1 PR6230 20t~75t 外形寸法 図.pdf	211PR6203-A.pdf	取説PR6203.pdf	Product introduction
PR6203/60t/C3	KT55100-1 PR6230 20t~75t 外形寸法 図.pdf	211PR6203-A.pdf	取説PR6203.pdf	Product introduction
PR6203/60t/C3 (E)	KT55100-1 PR6230 20t~75t 外形寸法 図.pdf	211PR6203-A.pdf	取説PR6203.pdf	Product introduction
PR6203/60t/C6	KT55100-1 PR6230 20t~75t 外形寸法 図.pdf	211PR6203-A.pdf	取説PR6203.pdf	Product introduction
PR6203/60t/C6 (E)	KT55100-1 PR6230 20t~75t 外形寸法 図.pdf	211PR6203-A.pdf	取説PR6203.pdf	Product introduction
PR6203/75t/D1	KT55100-1 PR6230 20t~75t 外形寸法 図.pdf	211PR6203-A.pdf	取説PR6203.pdf	Product introduction
PR6203/75t/D1 (E)	KT55100-1 PR6230 20t~75t 外形寸法 図.pdf	211PR6203-A.pdf	取説PR6203.pdf	Product introduction
PR6203/75t/C3	KT55100-1 PR6230 20t~75t 外形寸法 図.pdf	211PR6203-A.pdf	取説PR6203.pdf	Product introduction
PR6203/75t/C3 (E)	KT55100-1 PR6230 20t~75t 外形寸法 図.pdf	211PR6203-A.pdf	取説PR6203.pdf	Product introduction
PR6203/75t/C6	KT55100-1 PR6230 20t~75t 外形寸法 図.pdf	211PR6203-A.pdf	取説PR6203.pdf	Product introduction
PR6203/75t/C6 (E)	KT55100-1 PR6230 20t~75t 外形寸法 図.pdf	211PR6203-A.pdf	取説PR6203.pdf	Product introduction

External view

Load Cell PR6203 Type External Dimensions 500 kg ~ 75 t Rated



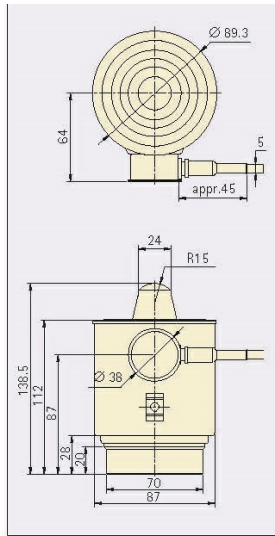
ミネベアミツミ株式会社

Copyright©MinebeaMitsumi Inc. All right reserved.

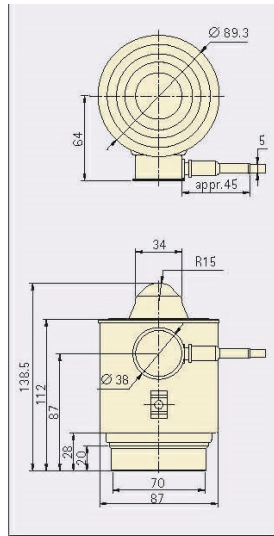
PR6203 Series Compression Type High Precision Standard Stainless Steel Load Cell

2022/09/20

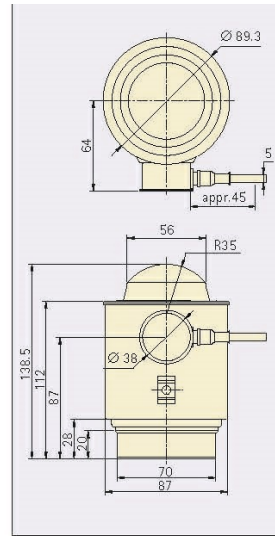
Minebea Intec



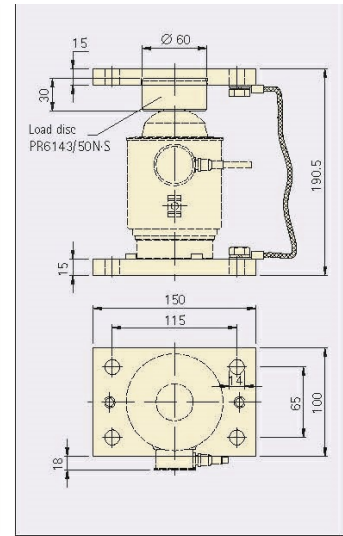
PR6203/500 kg ~ 3 t



PR6203/5 t ~ 10 t



PR6203/20 t ~ 75 t



PR6145/00 top/bottom mounting kit

Dimensions in mm

[Click here to visit the website of Intec Germany.](#)