

Specifications

Flange type Torque Transducer by Optical Transformer method

★ Composition apparatus

- | | |
|---------------------------|--|
| 1) Torque Transducer | Model : TMHFB-10KNM |
| 2) Exclusive signal cable | Model : CAC-169A- *M (selectable from 10m,20m) 【Option】
CAC-169B-30M (30m) 【Option】 |
| 3) Exclusive transmitter | Model : CSA-562B 【Option】 |

The following spec. is fulfilled when an exclusive signal cable and exclusive transmitter are combined and adjusted.

★ Spec. of torque transducer

Performance		
Rated capacity(R.C.)		±10kN・m
Safe overload		240 %R.C.
Ultimate overload		400 %R.C.
Rated output(R.O.)		±10 V
Accuracy of detected value (include Nonlinearity,Hysteresis,Repeatability)		±0.05 %R.O.
Temperature		
Safe temperature range		-10 ℃ to 60 ℃
Temperature effect on zero balance		0.05 %R.O./10℃
Temperature effect on output		0.05 %LOAD/10℃
Characteristics on rotation		
Maximum number of rotation		6,000 rpm
Zero point shift by rotation(noise)		0.5 %R.O.p-p(WB=1kHz)
Others		IP54
IP class		Rotor : Alloy steel
Material		Stator : Aluminum alloy
Fatigue life		10 ⁷ times with rated load
Mass	Rotor part	10.0 kg
	Stator part	3.5 kg

★ Machine characteristics(Rotor part)

Response Frequency	[kHz]	1
Inertia moment	[kg・cm ²]	644.2
Torsion rigidity	[kN・m/rad]	12920
Torsion peculiar pitch	[kHz]	4.768
Bending peculiar pitch(Radial direction)	[kHz]	6.757
Bending peculiar pitch(Thrust direction)	[kHz]	3.571
Twist angle at R.C.	[°]	0.044
Accuracy safe bending load	[N]	15000
Accuracy safe thrust load	[N]	13000

- Accuracy safety bending/thrust load is load value(actual measurment) which generate output error 0.1%R.O.
- Accuracy safety bending load is the result of loading at position 200mm from flange edge.
- All are the guarantee value over static load.

公布
K
S
T
F

			ミネベア株式会社 MINEBEA CO.,LTD. 計測機器事業部		単位 UNIT mm 尺度 SCALE Free	材質 MATERIAL 表面粗さ SURF.ROUGH. 熱処理 HEAT TREAT. 表面処理 FINISH	作成日 DATE 2015.03.17 品名 DESCRIPTION OUTLINE 品番 PART NO.(MODEL NO.) TMHFB-10KNM 図番 DRAWING NO. KT53934-2	葉番 SHEET 1 / 2 改訂 REV. -
-	2015.03.17	NEW			寸法 L 公差 <L≤4 ±0.1 4<L≤16 ±0.2 16<L≤63 ±0.3 63<L≤250 ±0.5 250<L≤1000 ±0.8 角度 DEG ±0.5			
符号 MARK	日付 DATE	変更事項 REASON	ECN NO.					

1

2

3

4

5

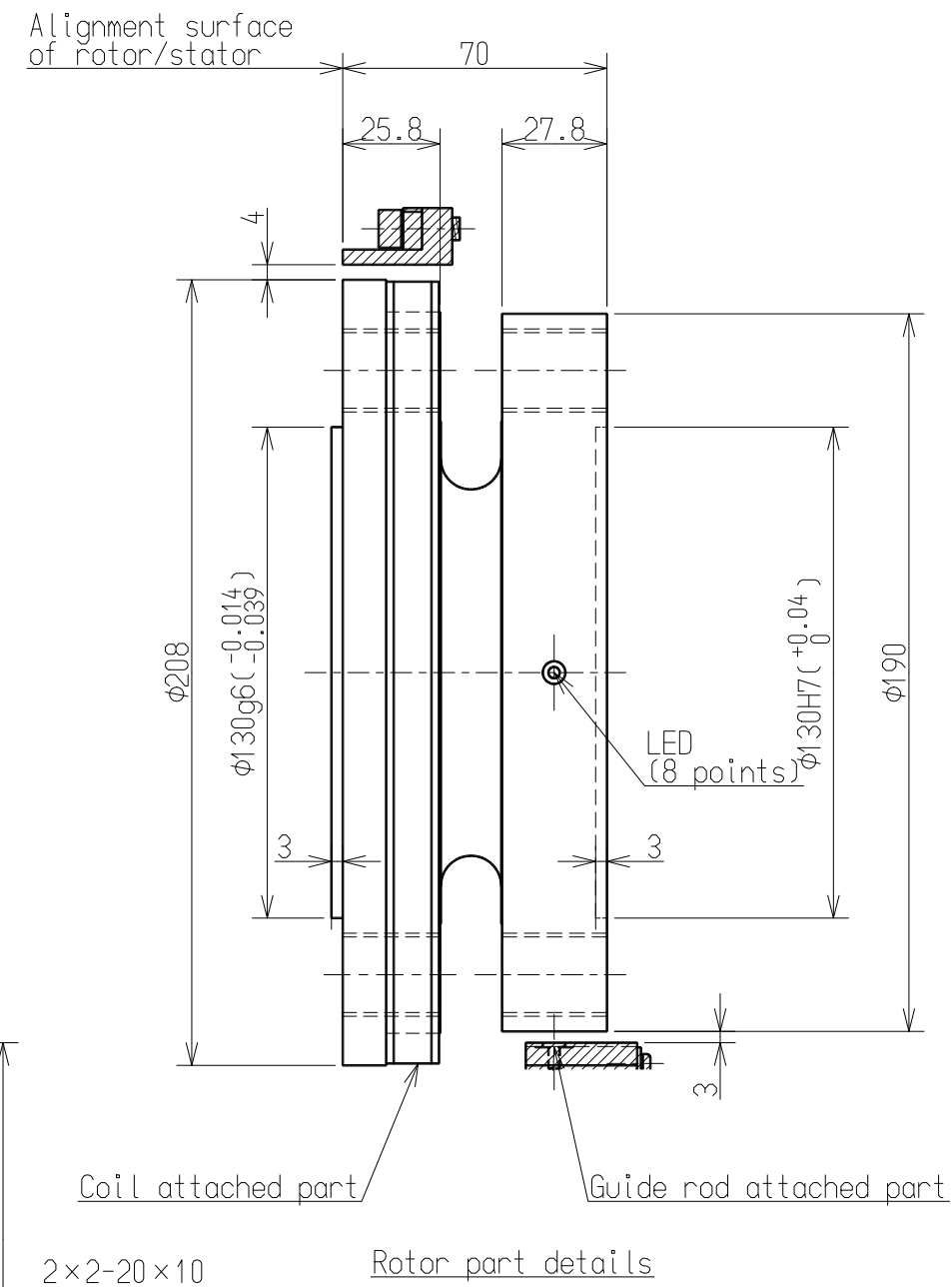
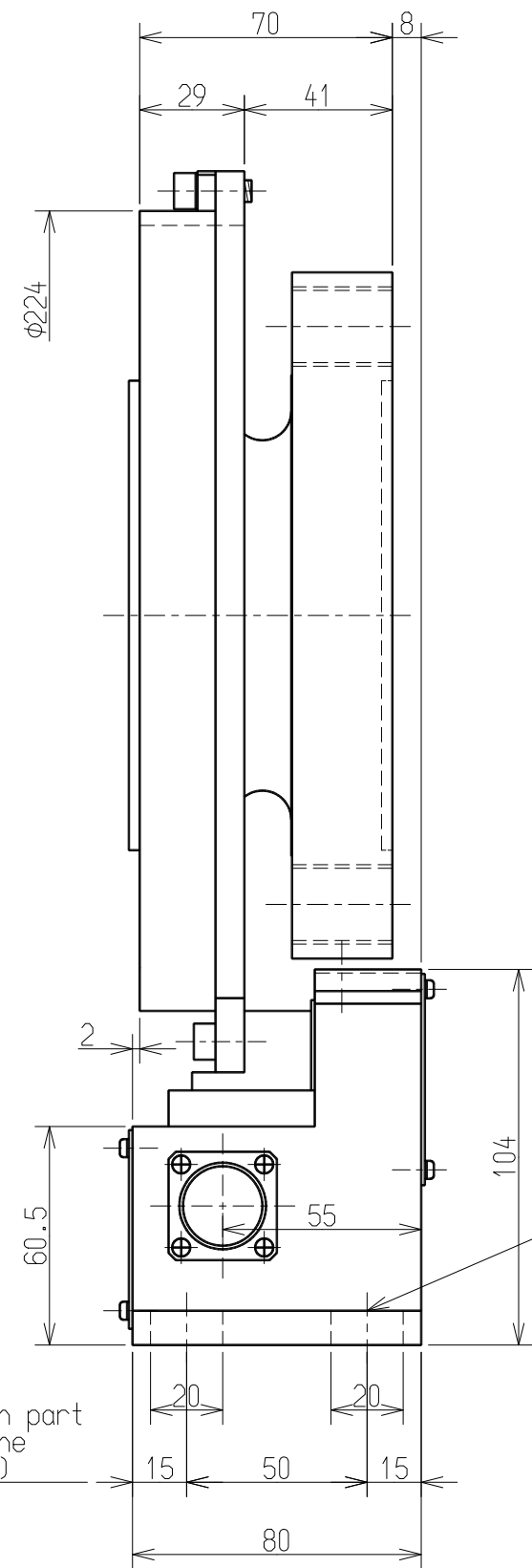
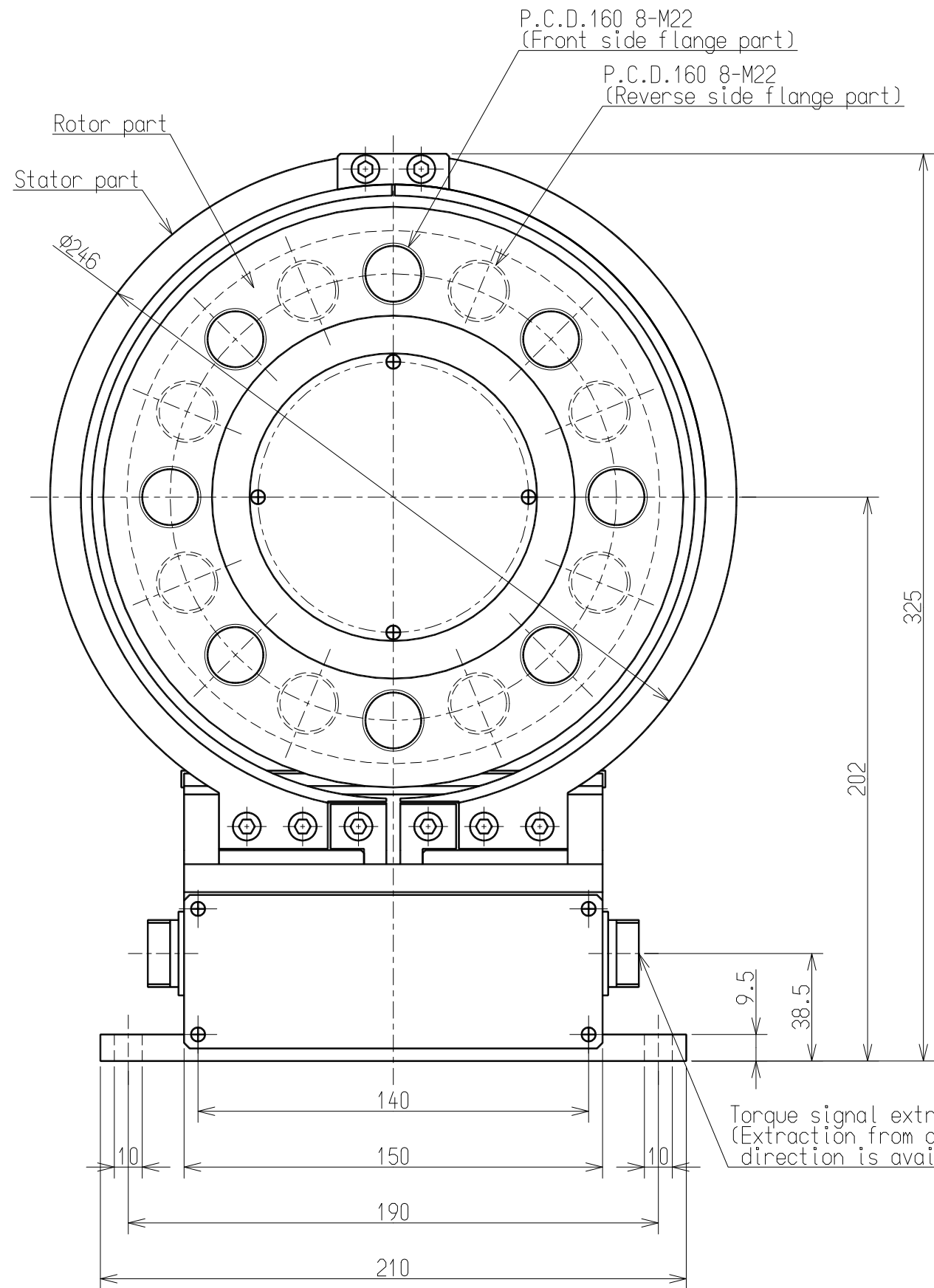
6

7

A

B

C



公布	
K	
S	
T	
F	

ミネベア株式会社 MINEBEA CO.,LTD. 計測機器事業部 MEASURING COMPONENTS BUSINESS UNIT	作成日 DATE 2015.03.17	
	品名 DESCRIPTION	
	OUTLINE	
	品番 PART NO.(MODEL NO.)	葉番 SHEET
	TMHFB-10KNM	2 / 2
図番 DRAWING NO.	改訂 REV.	
	KT53934-2	-