

PR6201 DB Series Double Output Compression Type Stainless Steel Load Cell

2022/09/20

Minebea Intec

Features



- 2 strain gages are applied within the load cell for double output.
- For use at steel plants, etc., enabling 1 cable to continue output even if the other cable is damaged.

Specification

Specification name	Specification contents	Specification contents2	Specification contents3
OIML Accuracy class	NDB(100t)	NDB(200t)	NDB(300t)
Accuracy class	0.06E _{max} ~0.5E _{max}	0.06E _{max} ~0.5E _{max}	0.06E _{max} ~0.5E _{max}
Destructive load	500t	1000t	1000t
Rated output	1.0mV/V~2.6mV/v	1.0mV/V~2.6mV/v	1.0mV/V~2.6mV/v
Rated output tolerance	0.25%Cn	0.25%Cn	0.25%Cn

ミネベアミツミ株式会社

Copyright©MinebeaMitsumi Inc. All right reserved.

PR6201 DB Series Double Output Compression
Type Stainless Steel Load Cell

2022/09/20

Minebea Intec

Non-linearity	<0.05Cn/10K	<0.05Cn/10K	<0.05Cn/10K
Temperature effect on Zero	<0.06Cn/10K	<0.06Cn/10K	<0.06Cn/10K
Temperature effect on Span	<0.03Cn/10K	<0.03Cn/10K	<0.03Cn/10K
Input resistance	644Ω~656Ω	644Ω~656Ω	644Ω~656Ω
Rated output	609Ω~611Ω	609Ω~611Ω	609Ω~611Ω
Insulation resistance	>5000×10 ⁶ Ω	>5000×10 ⁶ Ω	>5000×10 ⁶ Ω
Nominal supply voltage	4~24V	4~24V	4~24V
Nominal ambient temperature range	-10℃~+40℃	-10℃~+40℃	-10℃~+40℃
Usable ambient temperature range	-40℃~+95℃	-40℃~+95℃	-40℃~+95℃
Cable specification	PET thermoplastic, 4-core shield cable Length 12m	PET thermoplastic, 4-core shield cable Length 12m	PET thermoplastic, 4-core shield cable Length 12m
Wiring specification	Applied voltage +red/-blue Output signal +green/-ash	Applied voltage +red/-blue Output signal +green/-ash	Applied voltage +red/-blue Output signal +green/-ash

Specification contents4
LDB(520t)
0.06E _{max} ~0.5E _{max}
1000t
1.0mV/V~2.6mV/v
1.0%Cn
<0.1Cn/10K
<0.02Cn/10K
<0.1Cn/10K
600Ω~700Ω
607Ω~613Ω
>5000×10 ⁶ Ω
4~24V
-10℃~+40℃
-40℃~+95℃
PET thermoplastic, 4-core shield cable Length 12m
Applied voltage +red/-blue Output signal +green/-ash

PR6201 DB Series Double Output Compression Type Stainless Steel Load Cell

2022/09/20

Minebea Intec

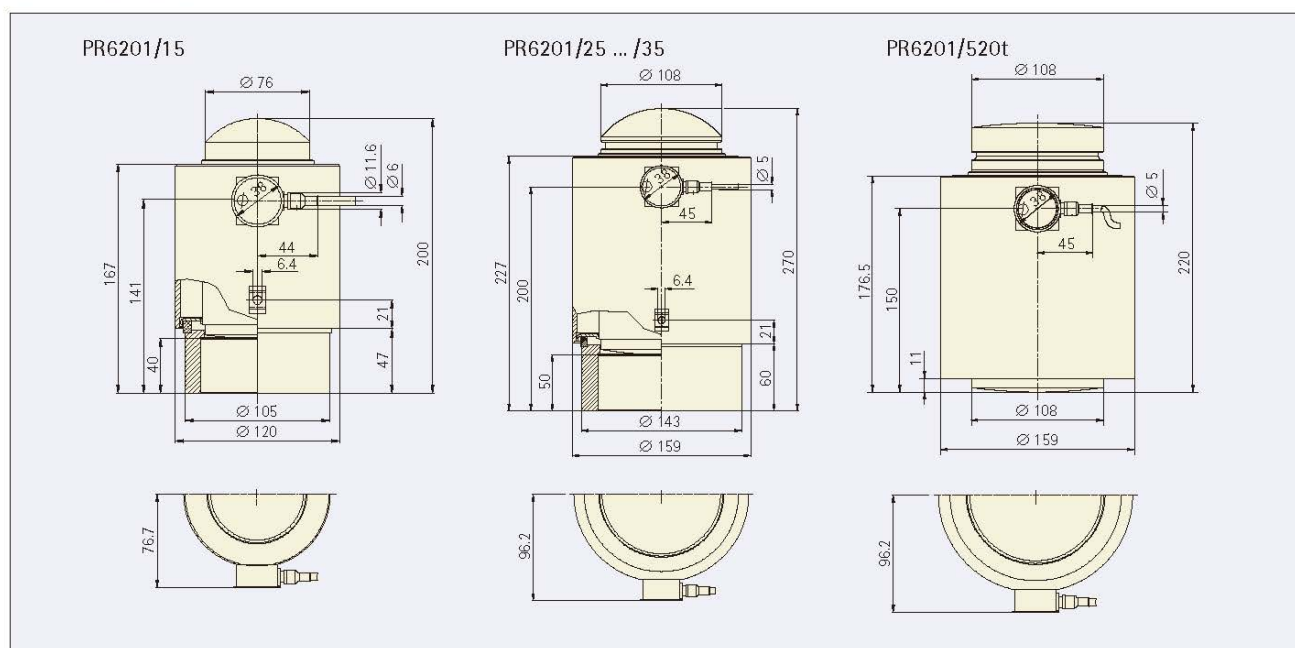
Table of P/N

Parts No.	Rated Capacity [tf]	Weight [kg]	Gross Weight [kg]	Packaged Size(W) [cm]	Packaged Size(L) [cm]	Packaged Size(H) [cm]
PR6201/15NDB	100	11.0	13.0	25	25	27
PR6201/25NDB	200	26.0	29.0	28	28	32
PR6201/35NDB	300	26.0	29.0	28	28	32
PR6201/520t LDB	520	21.0	23.0	28	28	32

Parts No.	Instruction Manual
PR6201/15NDB	KT60855-1.pdf
PR6201/25NDB	KT60855-1.pdf
PR6201/35NDB	KT60855-1.pdf
PR6201/520t LDB	KT60855-1.pdf

External view

External Dimensions



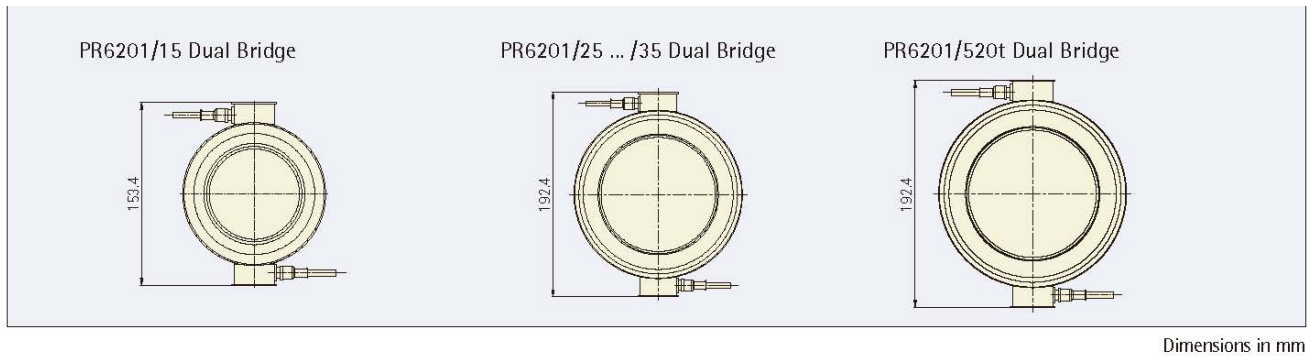
ミネベアミツミ株式会社

Copyright©MinebeaMitsumi Inc. All right reserved.

PR6201 DB Series Double Output Compression Type Stainless Steel Load Cell

2022/09/20

Minebea Intec



[Click here to visit the website of Intec Germany.](#)